

110 Degree, Full Overlay, Silentia Hinge, Logica



Part Number: SC7J6AD9

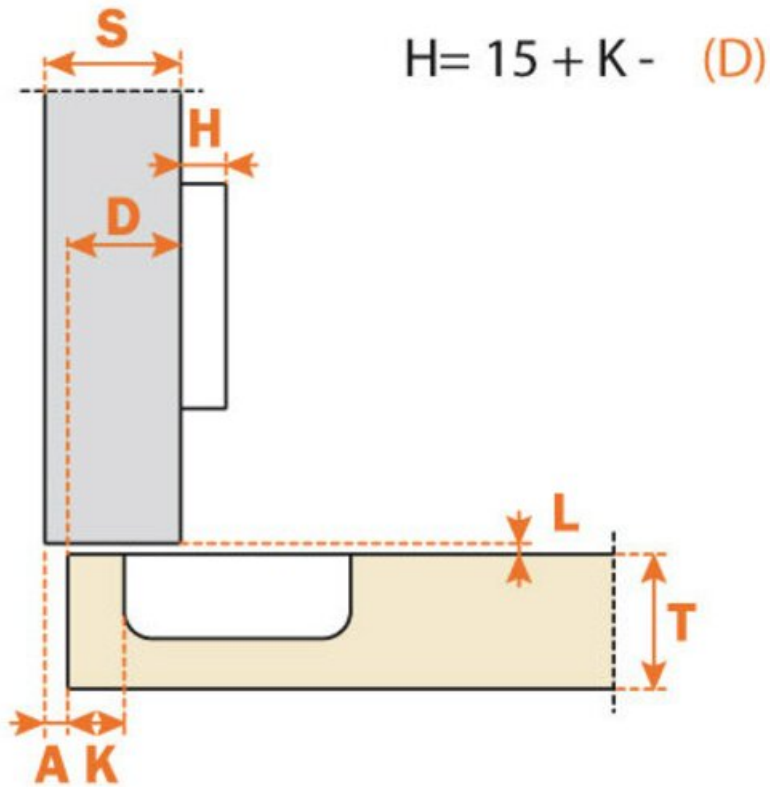
110 Degree, Full Overlay, Silentia Hinge, Logica Toolless

The new Silentia+ Hinges replace all previous generation Silentia Hinges. This product is discontinued and replaced with SC7J6AE9.

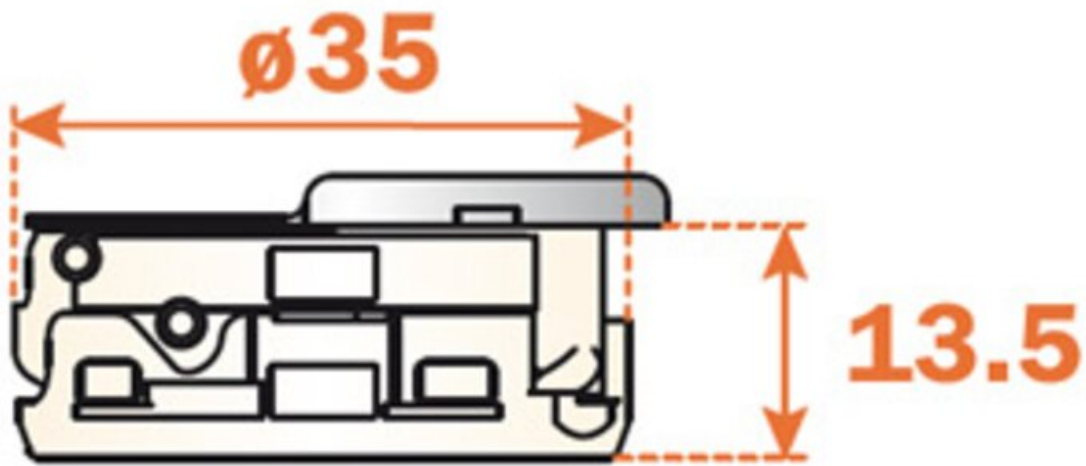
Angle	110
Application Type	Full Overlay
Closing Type	Soft-Close
Door Type	Standard Door
Finish	Nickel
Hinge Cup Depth	13.5 mm
Hinge Cup diameter	35 mm
Hinge Door Drilling Distance	3 to 6 mm
Hinge Door Thickness	16 to 26 mm
Material	Steel
Mounting Type	Logica (Tool-Less)



Technical Documents

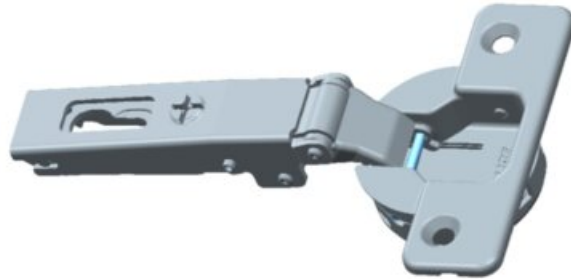


View this product online at <https://marathonhardware.com/pd/SC7J6AD9>



View this product online at <https://marathonhardware.com/pd/SC7J6AD9>

Technical Documents



View this product online at <https://marathonhardware.com/pd/SC7J6AD9>

Technical Documents

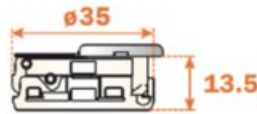


hinges

integrated soft-close mechanism / door thickness 16 - 26 mm / standard applications



Hinges with integrated soft-close mechanism in the hinge cup.
 Hinges for min. 16 mm thick doors.
 13.5 mm deep cup.
 110° opening.
 Possible drilling distance on the door (K): from 3 to 6 mm.
 Compatible with all traditional Series 200 mounting plates and with all Domi snap-on mounting plates.



ARTURO SALICE S.p.A. (società con Unita Saree)
 VIA PROVINCIALE MONTEPRATESE, 10
 02040 MONTEPRATESE (COMO) ITALIA
 TEL. 031 704204
 FAX 031 701808
 info.salice@salice.com

DEUTSCHE SALICE GmbH
 TALEG 1624941000000
 www.salice.de

SALICE FRANCE S.A.R.L.
 06000 ANTOIS
 www.salicefrance.com

SALICE AMERICA Inc.
 CHARLOTTE NC 28227
 www.saliceusa.com

SALICE UK Ltd.
 HUNTINGDON CAMBS PE28 6PN
 www.saliceuk.co.uk

SALICE CANADA Inc.
 MONTREAL, QUEBEC L3L 8Y1
 www.salicecanada.com

SALICE ESPAÑA, S.L.
 08400 GRANOLLERS
 www.saliceespana.es

View this product online at <https://marathonhardware.com/pd/SC7J6AD9>

