

70 Degree Hinge, for Pie Corner, Dowels



Part Number: SC2RYA99

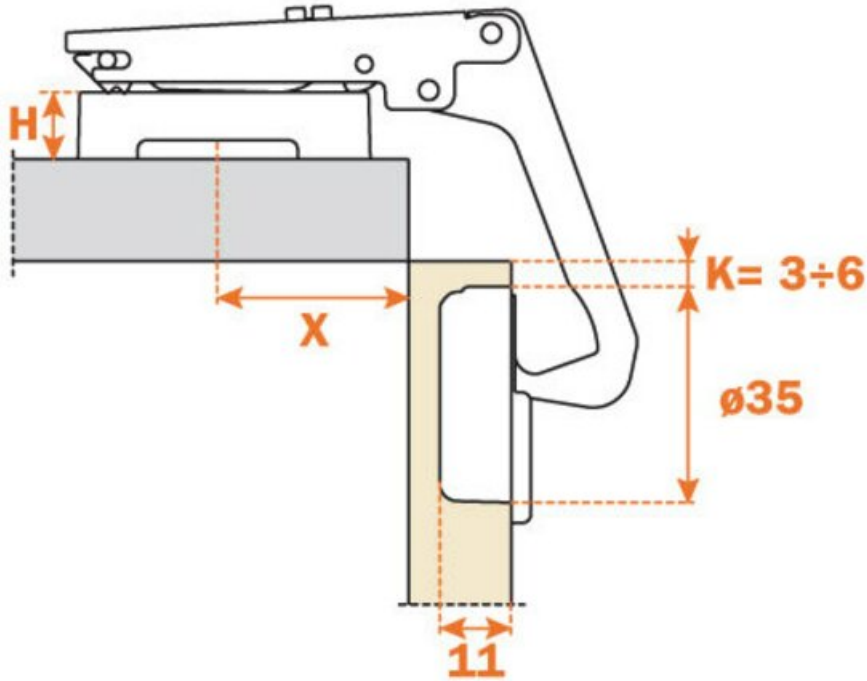
Salice Hinge 135° for Bi-Fold / Pie Corner, Self-Close, 11mm Cup Depth, Dowels.

Salice Hinge 135° Opening for Bi-Fold / Pie Corner Cabinets, 11mm Cup Depth, Dowels.

Angle	135
Application Type	Pie Corner
Closing Type	Self-Close
Door Type	Standard Door
Finish	Nickel
Hinge Cup Depth	11 mm
Hinge Cup diameter	35 mm
Hinge Door Drilling Distance	3 to 6 mm
Hinge Door Thickness	16 to 22 mm (5/8" to 7/8")
Material	Steel
Mounting Type	Dowels



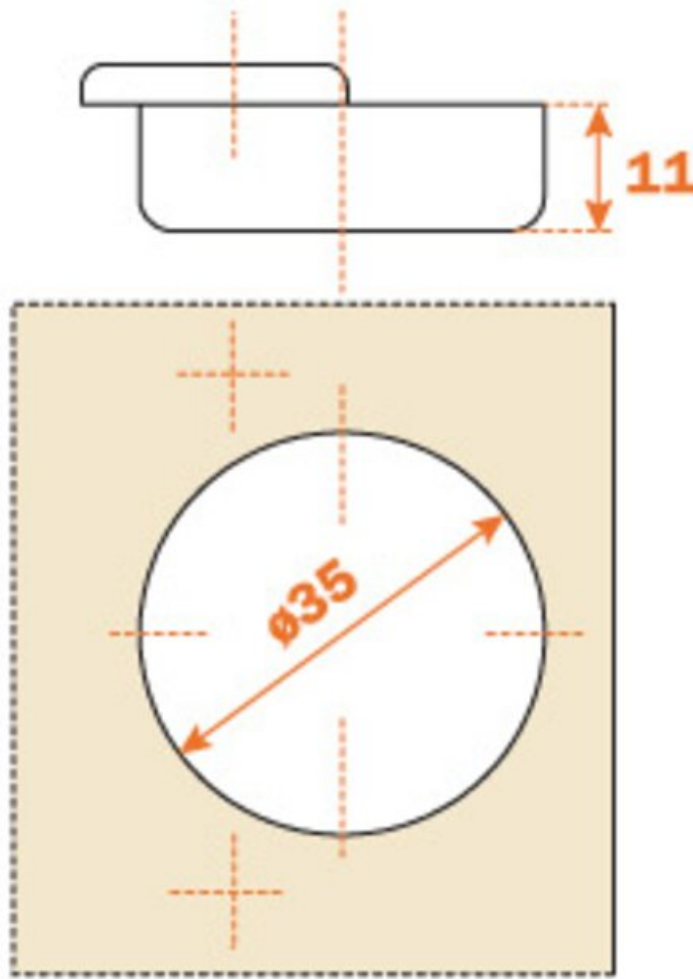
Technical Documents



View this product online at <https://marathonhardware.com/pd/SC2RYA99>



Technical Documents



View this product online at <https://marathonhardware.com/pd/SC2RYA99>



Technical Documents



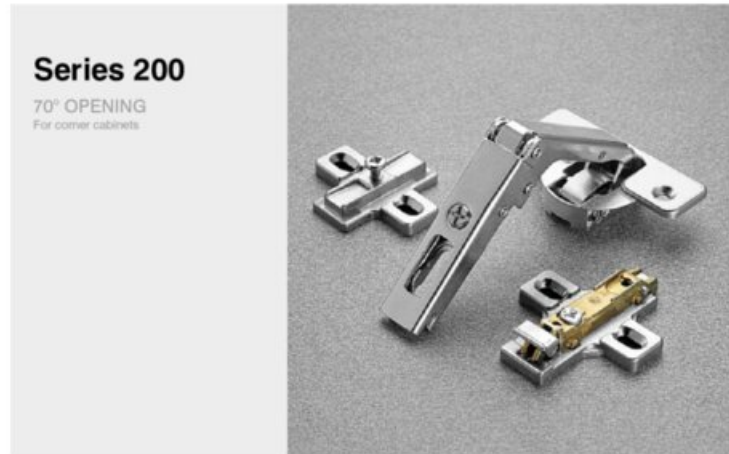
View this product online at <https://marathonhardware.com/pd/SC2RYA99>

Technical Documents



hinges

automatic closing / door thickness 16 - 26 mm / angled applications



Series 200

70° OPENING
For corner cabinets

Hinges for corner cabinets.
11 mm deep die-cast cup.
35 mm cup diameter.
Opening angle of the first door 70°.
Possible drilling distance on the door (K) : from 3 to 6 mm.

Maximum thickness of the door with square edges: 23 mm.
For thicker doors or doors with mouldings or with large radiused edges, please refer to our technical assistance.
Compatible with all traditional Series 200 mounting plates and with all Dorni snap-on mounting plates.

ARTURO SALICE S.p.A. (Incorporated in Italy)
Via Provinciale Novoriviera, 10
20090 Noviglio (MI) ITALIA
TEL. 02 570424
FAX 02 761508
www.salicehardware.com

DEUTSCHE SALICE GmbH
TALBEI NIEDERHAUSEN
www.salicehardware.com

SALICE FRANCE S.A.R.L.
69000 ANDELS
www.salicehardware.com

SALICE AMERICA Inc.
CHARLOTTE NC 28227
www.salicehardware.com

SALICE UK Ltd.
HUNTINGDON CAMBS PE28 6PN
www.salicehardware.com

SALICE CANADA Inc.
MISSISSAUGA, ONTARIO L4X 1Y3
www.salicehardware.com

SALICE ESPAÑA, S.L.L.
08043 URNÀS (LEI)
www.salicehardware.com

View this product online at <https://marathonhardware.com/pd/SC2RYA99>

