



# Hinge 106°, 1/4" Overlay, Screw-On, 2-Way Cam

**Part Number: SCSP3Y99**

Salice Face Frame Hinge 106°, 1/4" Overlay, Screw-On, 2-Way Cam

Salice Face Frame Hinge 106°, 1/4" Overlay, Screw-On, with 2-way Cam Adjustments

<div><br></div>

Adjustment Type	2-Way Cam Adjust
Angle	106
Application Type	Face Frame
Closing Type	Self-Close
Door Type	Face Frame
Finish	Nickel
Hinge Cup Depth	11
Hinge Door Thickness	Up to 3/4" Thick
Mounting Type	Screw-On
Overlay	1/4 in

## Product Description

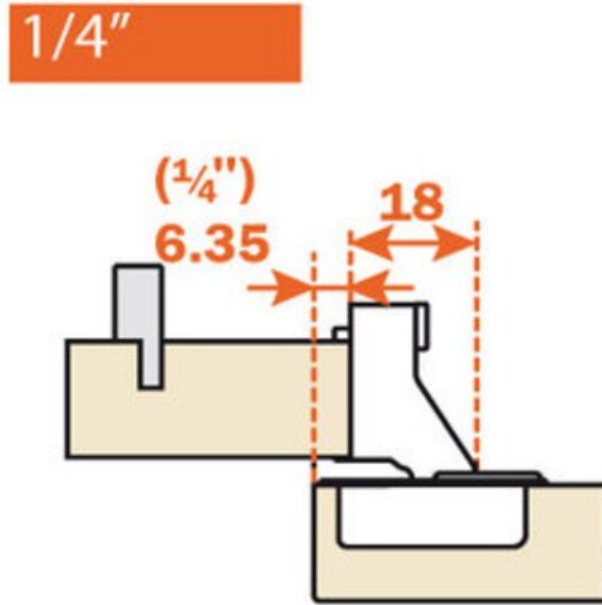
Salice Excentra Face Frame hinges enable easy and simple installation while combined with their superior technical features ensuring that you receive a reliable and consistent door action. These low-profile, one-piece face frame hinges provide eccentric cams for two way adjustments, including side-to-side and in-and-out, providing you with perfect alignment. Available in both screw-on and doweled versions, they will enable long-lasting attachment to the frame with superior stability and zero door protrusion. Expect a lifetime of smooth opening and closing in your kitchen when you pick Salice.

## Product Advantages

- Salice provides a lifetime warranty
- Precise door alignment
- Zero door protrusion
- Boring pattern same as the industry standard



## Technical Documents

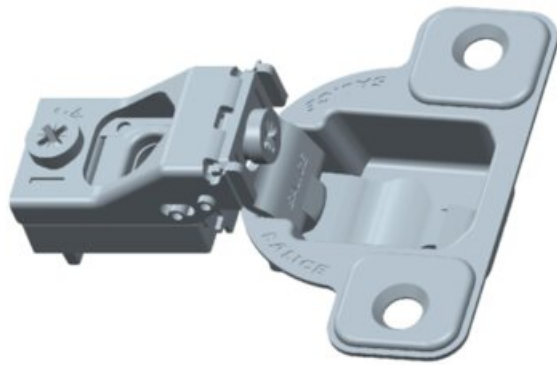


View this product online at <https://marathonhardware.com/pd/SCSP3Y99>



---

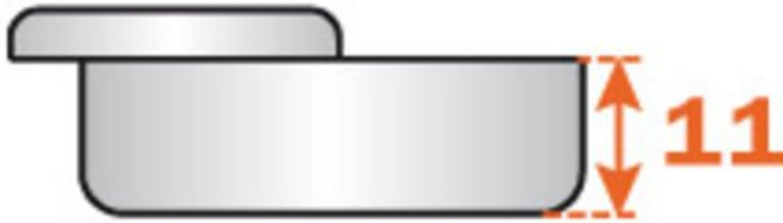
## Technical Documents



View this product online at <https://marathonhardware.com/pd/SCSP3Y99>

---

Technical Documents



View this product online at <https://marathonhardware.com/pd/SCSP3Y99>

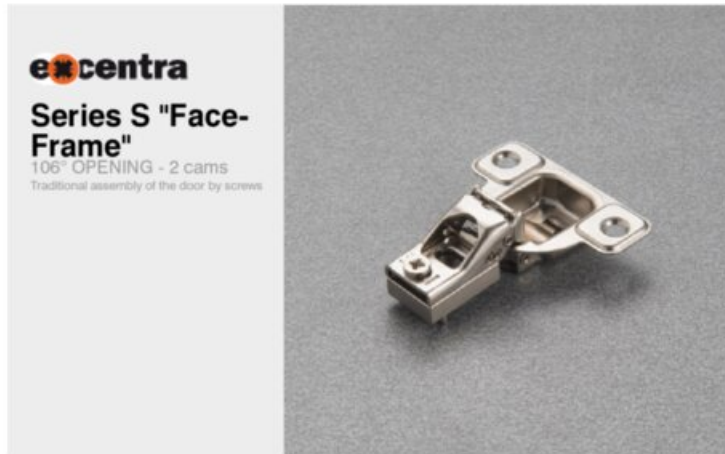


## Technical Documents



### hinges

automatic closing / face frame hinge / standard applications



**ecentra**

**Series S "Face-Frame"**

106° OPENING - 2 cams

Traditional assembly of the door by screws

Stamped steel.  
 Cup depth 11 mm (7/16").  
 Opening 106° degrees.  
 Drilling distance (K) fixed at 2.5 mm (3/32").  
 Gap between door and frame (L) = 4.6 mm.

For overlays from 1/4" through 3/4" the "A" value (Reveal) = 8.3 mm for (21/64") square edge doors at 90° opening.

For overlays from 1" through 1-7/16" the "A" value (Reveal) = 5.2 mm for (3/4") square edge doors at 90° opening.



**ARTURO SALICE S.p.A.** (società con unico socio)  
 VIA PROVINCIALE MONTEPRATESE, 10  
 05040 MONTEPRATESE (CORNICHIANO)  
 TEL. 071 294204  
 FAX 071 701808  
 info.salice@salice.com

**DEUTSCHE SALICE GmbH**  
 TALEN WERKWERKE GMBH  
 www.salicehardware.com

**SALICE FRANCE S.A.R.L.**  
 06040 ANTIOS  
 www.salicehardware.com

**SALICE AMERICA Inc.**  
 CHARLOTTE NC 28227  
 www.salicehardware.com

**SALICE UK Ltd.**  
 HUNTINGDON CAMBS PE28 6PN  
 www.saliceuk.co.uk

**SALICE CANADA Inc.**  
 MESSAUGA, QUÉBEC J8L 8Y1  
 www.salicehardware.com

**SALICE ESPAÑA, S.L.**  
 08403 ORMAIGUERS  
 www.salicehardware.com

View this product online at <https://marathonhardware.com/pd/SCSP3Y99>

