



## 110 Degree, Full Overlay, Silentia+ Hinge, Dowel

**Part Number: SC7R6AE9**

Salice Series 700 SilentiaPLUS Soft-Close Hinge, 110 Degree, Full Overlay, Dowel Assembly

Adjustment Type	Speed Switch
Angle	110
Application Type	Full Overlay
Closing Type	Soft-Close
Door Type	Standard Door
Finish	Nickel
Hinge Cup Depth	13.5 mm
Hinge Cup diameter	35 mm
Hinge Door Drilling Distance	3 to 6 mm
Hinge Door Thickness	16 to 26 mm
Mounting Type	Dowels

### Product Description

Silentia+ allows a perfect and constant closing of the door in any condition, use and application.

The innovative soft-close technology guarantees excellent performances to the complete range of hinges. Silentia+ includes numerous technological elements in the required spaces and maintains the aesthetics of the hinges of the first generation.

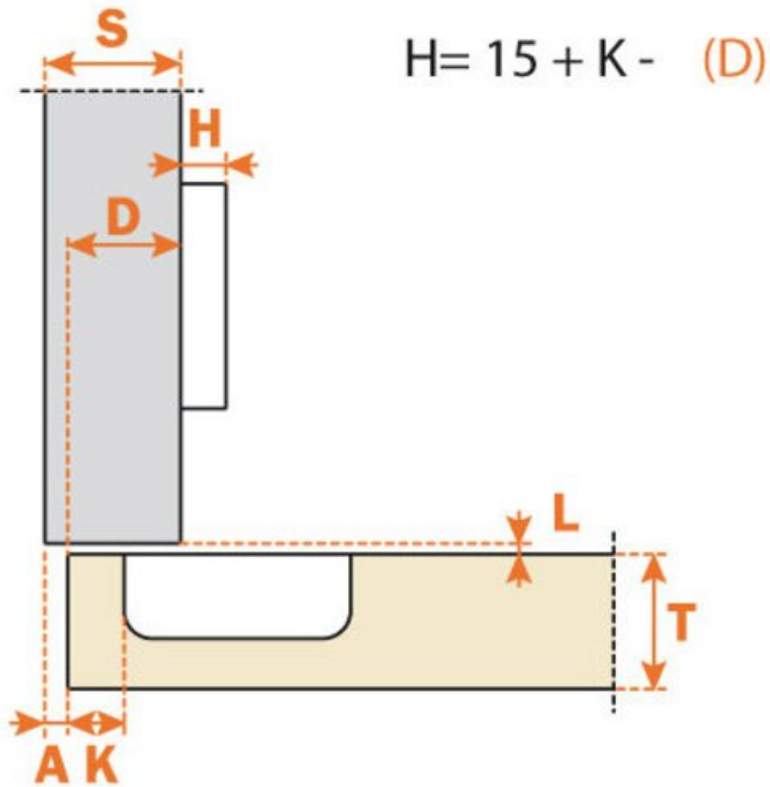
Silentia+ is also equipped with the innovative switch to delay the decelerating action. The activation of this switch allows, even to special doors, to obtain the ideal decelerating strength.

### Product Advantages

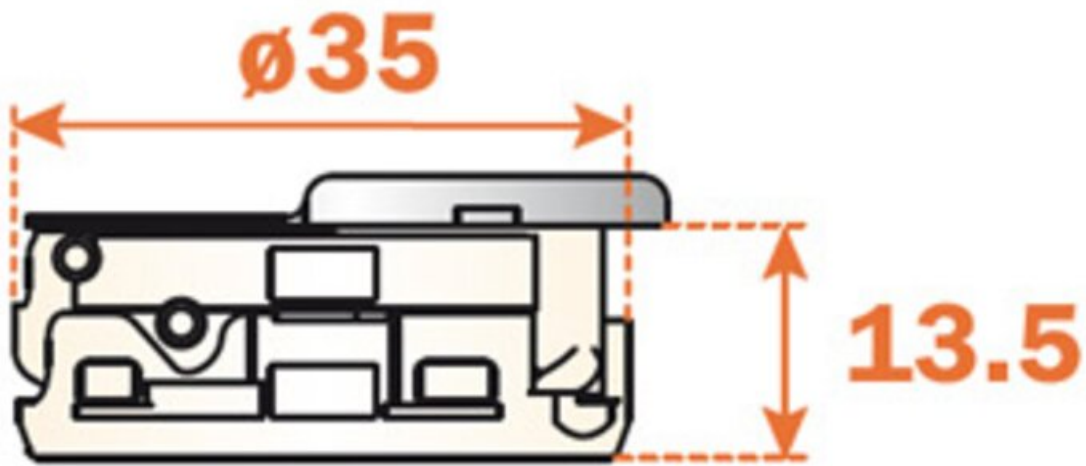
- Hinges with adjustable integrated soft-close mechanism operated by twin silicone-oil dampers housed in the hinge cup.
- The decelerating effect is adjusted by using a simple switch.
- Dimensions of the cup: Ø 35 mm.
- Hinges for min. 16mm (5/8 in) thick doors to max. 26mm (1 in).
- 13.5 mm deep cup.
- Provides for 110° opening.
- Possible drilling distance on the door (K): from 3 to 6 mm.
- Compatible with all traditional Series 200 mounting plates and with all Domi snap-on mounting plates.



## Technical Documents



View this product online at <https://marathonhardware.com/pd/SC7R6AE9>



View this product online at <https://marathonhardware.com/pd/SC7R6AE9>



## Technical Documents



### **SALICE**

#### **INTRODUCING** Salice Silentia<sup>+</sup>

Silentia<sup>+</sup> by Salice transforms cabinetry with effortless elegance and whisper-quiet perfection. Its innovative soft-close design ensures every door glides to a gentle close, adding a touch of luxury to any space. Seamlessly blending style and functionality, Silentia<sup>+</sup> delivers flawless performance without disrupting your workflow or compromising on the trusted quality Salice is known for. Elevate your designs with a hinge that combines timeless sophistication with unmatched reliability.

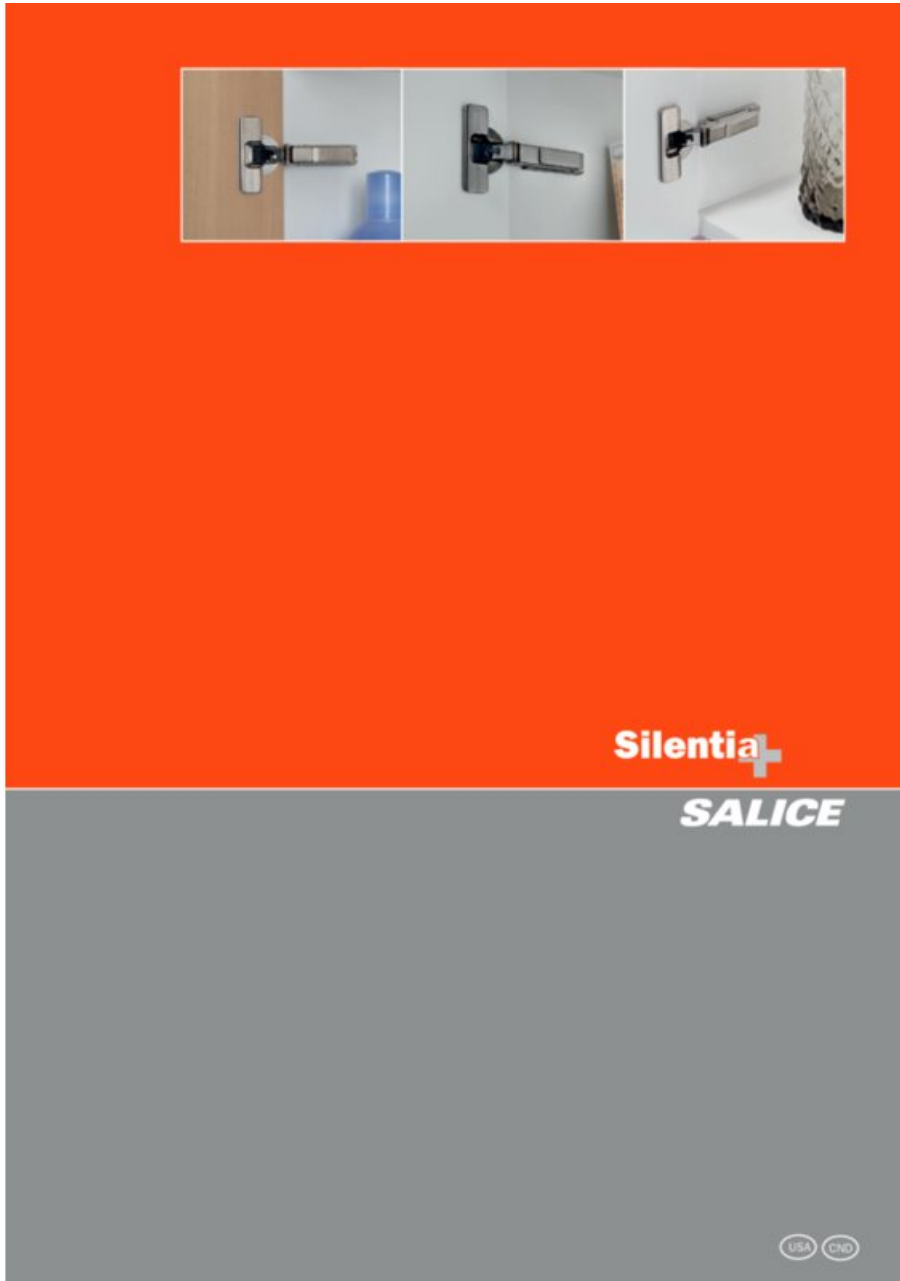
#### **Product Features:**

- Twin Silicone Oil Dampers deliver perfect soft-closing action
- Speed selection switch ensures consistent decelerating action that allows you to adapt to all door applications
- An ideal choice for 3/4" door thickness
- Compatible with all of Salice's existing mounting plates
- Hinge selection covers all common cabinet door applications

View this product online at <https://marathonhardware.com/pd/SC7R6AE9>



## Technical Documents



View this product online at <https://marathonhardware.com/pd/SC7R6AE9>

