

Hinge 90 Blind Corner Soft-Close Dowels

Part Number: 115-SC690-8D



An economical hinge that is durable and functional, meeting your needs for cabinets and furniture of all kinds.

<div>
</div>

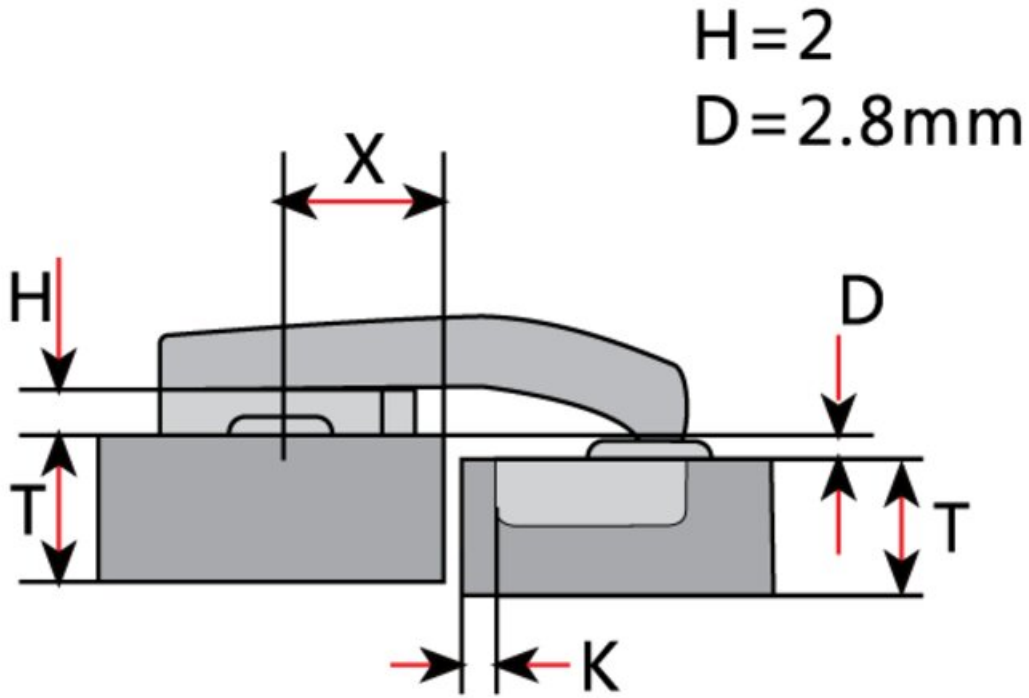
Adjustment Type	2-Way Cam Adjustment
Angle	90 Degree
Application Type	Specialized
Closing Type	Soft-Close
Cup Type	45mm Standard Pattern
Door Type	Blind Corner
Hinge Cup Depth	11.3 mm
Hinge Cup diameter	35 mm
Hinge Door Drilling Distance	3-7 mm
Hinge Door Thickness	14-22 mm
Mounting Type	Dowel (8mm)
Plate Type	Clip-On

Product Advantages

- Quality for Price
- 2-way Cam Adjustment
- Compatible with all M-Series Plates



Technical Documents



View this product online at <https://marathonhardware.com/pd/115-SC690-8D>



Technical Documents

Hinge Coverage Calculation Table

H	K	4	5
0	20	2.8	19 2.8
2	20	0.8	19 0.8
	X		D

H = Height of mounting plate

K = Drilling distance from edge of door to edge of cup (TAB)

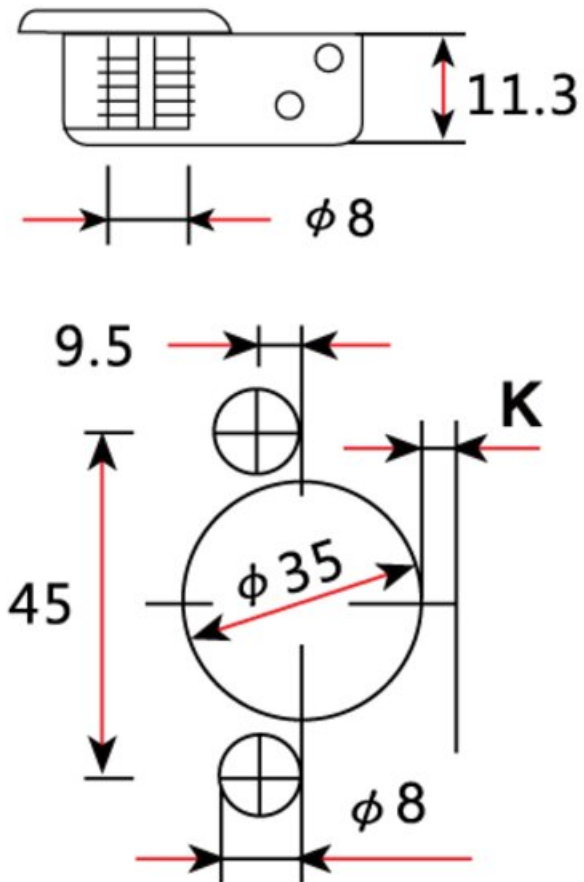
D = Door corner edge overlay on side gable

X = Mounting plate fixing distance back from edge

View this product online at <https://marathonhardware.com/pd/115-SC690-8D>



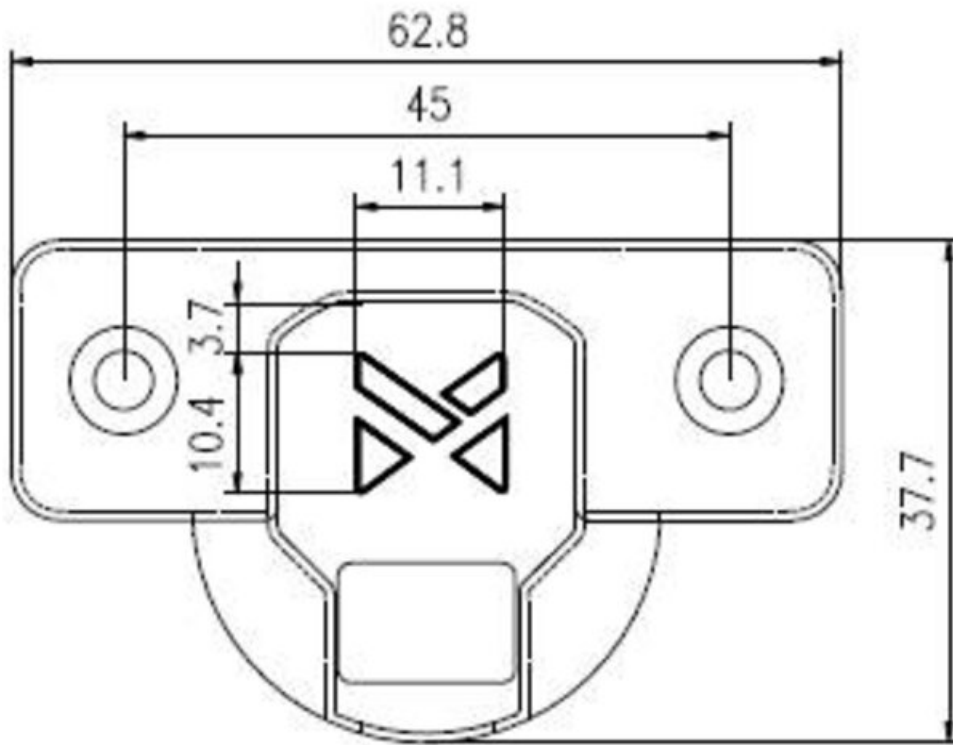
Technical Documents



View this product online at <https://marathonhardware.com/pd/115-SC690-8D>




Technical Documents



View this product online at <https://marathonhardware.com/pd/115-SC690-8D>


Technical Documents





M-SERIES Hinges

High Quality Economical Cabinet Hinges

M-SERIES
110 Degree Hinges

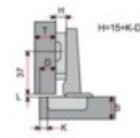


Full Overlay

Part No.	Closing	Fixing	Qty
115-SC575-8D	Soft-Close	Dowel	200
115-RC575-8D	Self-Close	Dowel	200
115-SC575	Soft-Close	Screw-On	200
115-RC575	Self-Close	Screw-On	200

	1	2	3	4	5	6	7
1	15	16	16	16	17	17	17
2	15	17	18	18	18	18	18
3	15	17	18	18	17	18	18



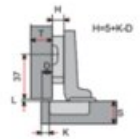
Technical Specifications

- Opening Angle: 110 Degrees
- Diameter of Hinge Cup: 35mm
- Hinge Cup Drilling Depth: 11.3mm
- Hinge Cup Drilling Pattern: 45mm x 9.5mm
- Range of Drilling Distance: 3-7mm
- Range of Door Thickness: 14-22mm





Half Overlay

Part No.	Closing	Fixing	Qty
115-SC585-8D	Soft-Close	Dowel	200

	1	2	3	4	5	6	7
1	15	16	16	16	17	17	17
2	15	17	18	18	18	18	18
3	15	17	18	18	17	18	18



Mounting Plates & Accessories

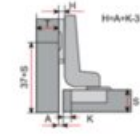





Part No.	Height	Description	Qty
115-MPO-EUR	0mm	Euro screw	600
115-MP2-EUR	2mm	Euro screw	600
115-MPO-CEU	0mm	Euro screw with Cam Adjust	600
115-MP2-CEU	2mm	Euro screw with Cam Adjust	600
115-MPO-CAM	0mm	Screw-On with Cam Adjust	600
115-MP2-CAM	2mm	Screw-On with Cam Adjust	600
115-ARC50	-	Limiter 86° Angle Open	1000

Inset

Part No.	Closing	Fixing	Qty
115-SC595-8D	Soft-Close	Dowel	200

	1	2	3	4	5	6	7
1	15	16	16	16	17	17	17
2	15	17	18	18	18	18	18
3	15	17	18	18	17	18	18



800 840 1228 · MARATHONHARDWARE.COM

View this product online at <https://marathonhardware.com/pd/115-SC690-8D>

