

Hinge 45 Cross Corner Self-Close Dowels



Part Number: 115-RC645-8D

An economical hinge that is durable and functional, meeting your needs for cabinets and furniture of all kinds.

<div>
</div>

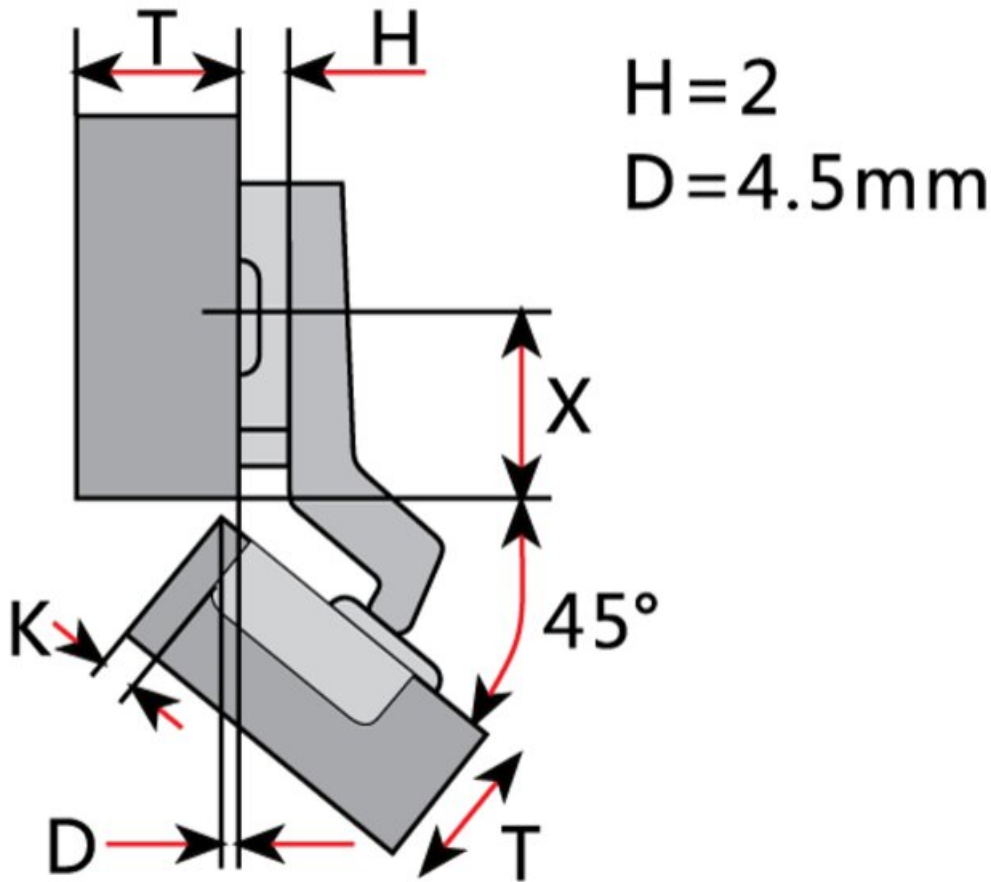
| | |
|------------------------------|-----------------------|
| Adjustment Type | 2-Way Cam Adjustment |
| Angle | 45 Degree |
| Application Type | Specialized |
| Closing Type | Self-Close |
| Cup Type | 45mm Standard Pattern |
| Door Type | Cross Corner |
| Hinge Cup Depth | 11.3 mm |
| Hinge Cup diameter | 35 mm |
| Hinge Door Drilling Distance | 3-7 mm |
| Hinge Door Thickness | 14-22 mm |
| Mounting Type | Dowel (8mm) |
| Plate Type | Clip-On |

Product Advantages

- Quality for Price
- 2-way Cam Adjustment
- Compatible with all M-Series Plates



Technical Documents



View this product online at <https://marathonhardware.com/pd/115-RC645-8D>



Technical Documents

Hinge Coverage Calculation Table

| H \ K | 4 | 5 | 6 | 7 |
|-------|--------|--------|--------|--------|
| 0 | 37 4.5 | 36 5.4 | 35 6.3 | 34 7.2 |
| 2 | 37 2.5 | 36 3.4 | 35 4.3 | 34 5.2 |
| | X | | | D |

H = Height of mounting plate

K = Drilling distance from edge of door to edge of cup (TAB)

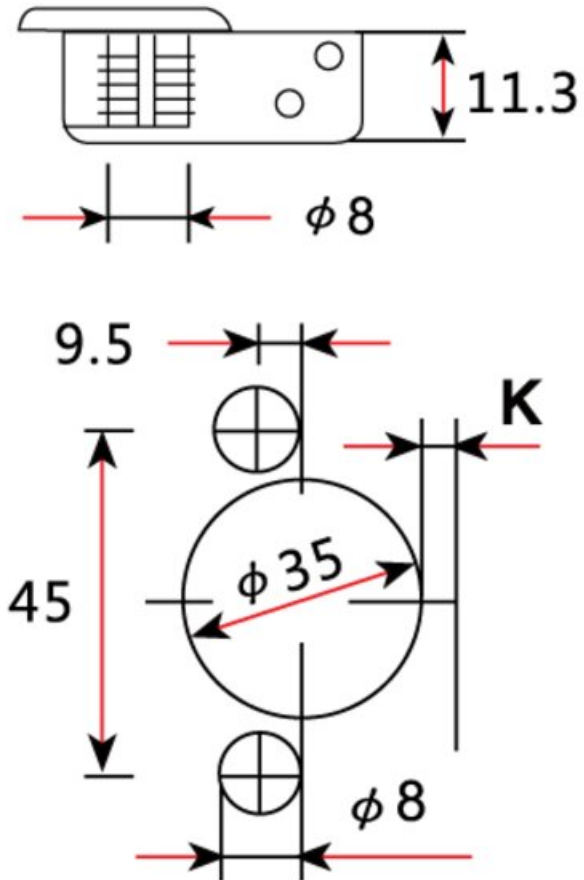
D = Door corner edge overlay on side gable

X = Mounting plate fixing distance back from edge

View this product online at <https://marathonhardware.com/pd/115-RC645-8D>



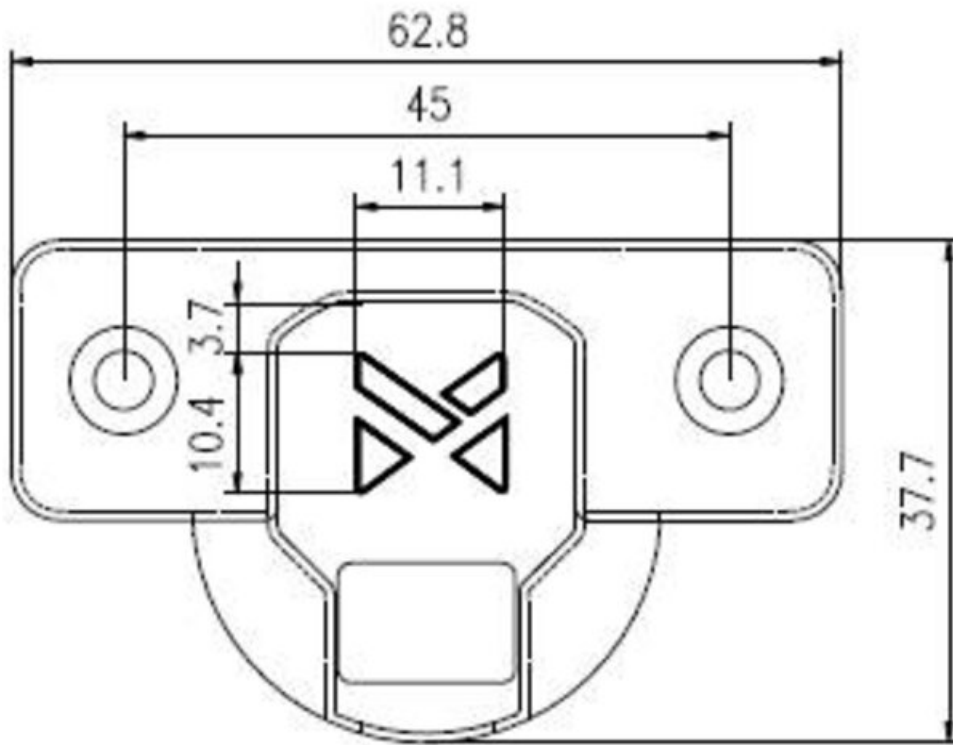
Technical Documents



View this product online at <https://marathonhardware.com/pd/115-RC645-8D>



Technical Documents



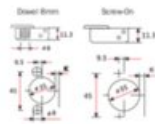
View this product online at <https://marathonhardware.com/pd/115-RC645-8D>



Technical Documents



M-SERIES 110 Degree Hinges

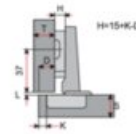


Full Overlay

| Part No. | Closing | Fixing | Qty |
|--------------|------------|----------|-----|
| 115-SC575-8D | Soft-Close | Dowel | 200 |
| 115-RC575-8D | Self-Close | Dowel | 200 |
| 115-SC575 | Soft-Close | Screw-On | 200 |
| 115-RC575 | Self-Close | Screw-On | 200 |

Hinge Coverage Calculation Table

| | 1 | 2 | 3 | 4 | 5 | 6 | 7 |
|---|----|----|----|----|----|---|---|
| 1 | 10 | 10 | 20 | 27 | 32 | | |
| 2 | 10 | 17 | 24 | 28 | 30 | | |
| 3 | 10 | 17 | 24 | 28 | 30 | | |



Technical Specifications

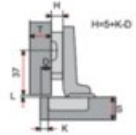
- Opening Angle: 110 Degrees
- Diameter of Hinge Cup: 35mm
- Hinge Cup Drilling Depth: 11.3mm
- Hinge Cup Drilling Pattern: 45mm x 9.5mm
- Range of Drilling Distance: 3-7mm
- Range of Door Thickness: 14-22mm

Half Overlay

| Part No. | Closing | Fixing | Qty |
|--------------|------------|--------|-----|
| 115-SC585-8D | Soft-Close | Dowel | 200 |

Hinge Coverage Calculation Table

| | 1 | 2 | 3 | 4 | 5 | 6 | 7 |
|---|---|---|----|----|----|---|---|
| 1 | 5 | 5 | 10 | 13 | 16 | | |
| 2 | 5 | 7 | 9 | 10 | 10 | | |
| 3 | 5 | 7 | 9 | 10 | 10 | | |



Mounting Plates & Accessories



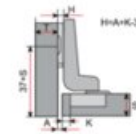
| Part No. | Height | Description | Qty |
|-------------|--------|---------------------------|------|
| 115-MPO-EUR | 0mm | EuroScrew | 600 |
| 115-MP2-EUR | 2mm | EuroScrew | 600 |
| 115-MPO-CEU | 0mm | EuroScrew with Cam Adjust | 600 |
| 115-MP2-CEU | 2mm | EuroScrew with Cam Adjust | 600 |
| 115-MPO-CAM | 0mm | Screw-On with Cam Adjust | 600 |
| 115-MP2-CAM | 2mm | Screw-On with Cam Adjust | 600 |
| 115-ARC50 | - | Limiter 86° Angle Open | 1000 |

Inset

| Part No. | Closing | Fixing | Qty |
|--------------|------------|--------|-----|
| 115-SC595-8D | Soft-Close | Dowel | 200 |

Hinge Coverage Calculation Table

| | 1 | 2 | 3 | 4 | 5 | 6 | 7 |
|---|---|---|----|----|----|---|---|
| 1 | 5 | 5 | 10 | 13 | 16 | | |
| 2 | 5 | 7 | 9 | 10 | 10 | | |
| 3 | 5 | 7 | 9 | 10 | 10 | | |



800 840 1228 MARATHONHARDWARE.COM

View this product online at <https://marathonhardware.com/pd/115-RC645-8D>

