

Salice Wind Kit, Push-To-Open: "W" Very Light

Part Number: SFRAKFEPWSN9



Salice Wind Push-to-Open Lift System, "W" Very Light

Wind from Salice is an award winning compact flap door lift system with smooth and perfectly controlled motion.

Adjustment Type	3-Way
Angle	85
Application Type	Flap Door
Closing Type	Push-Open
Door Height Range	220 to 400 mm
Force	W (Very Light)
Hinge Cup Depth	13 mm
Hinge Cup diameter	35 mm
Hinge Door Drilling Distance	3 to 7 mm
Hinge Door Thickness	16 to 28 mm
Mounting Type	Euro Screw

Product Description

The Wind lift system from Salice is characterized by compactness and elegant design. Combining the highest levels of performance with smooth and perfectly controlled movement, Wind has strong functional appeal. Taking up only a minimum of valuable storage space, it is truly compact and unobtrusive inside your cabinet. Aesthetically pleasing, Wind's streamlined shape adds significantly to the overall appeal. Extremely versatile, Wind is suitable for a vast range of kitchen and furniture applications while support both small and large doors alike.

Wind is a completely mechanical system that is easy to install tool-free. Fully adjustable for door position with up/down, left/right, and in/out, Wind also enables adjustment on the decelerating effect so you can perfectly tune the closing action to the size and weight of the door.

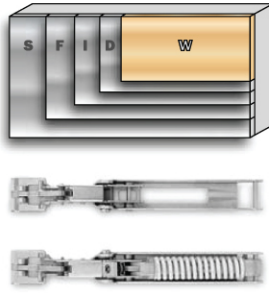
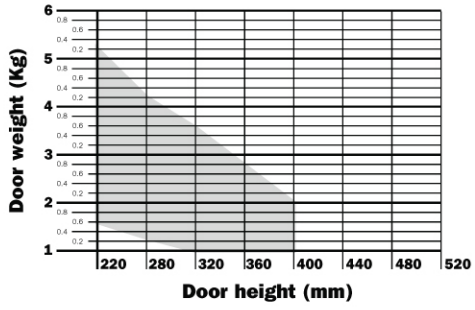
Product Advantages

- Elegant design
- Compact and unobtrusive
- Fast tool-free installation

How to Order? Try our Salice Wind Spring Strength Calculator:

Important Information

Please use our online [Wind Strength Calculator](#) or the chart below to verify and select the correct strength for your door's weight and height. Ensure you add additional weight for your handles.

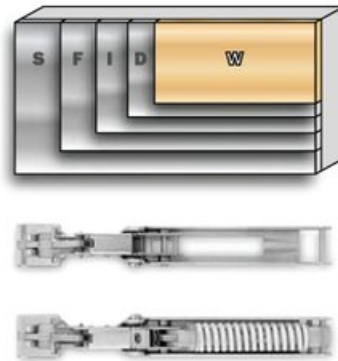
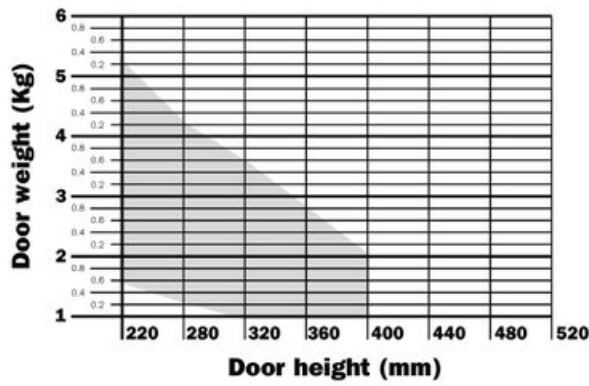


Included Products

Wind is sold per kit for installing one door. The exceptions are the decorative covers which are sold separately.

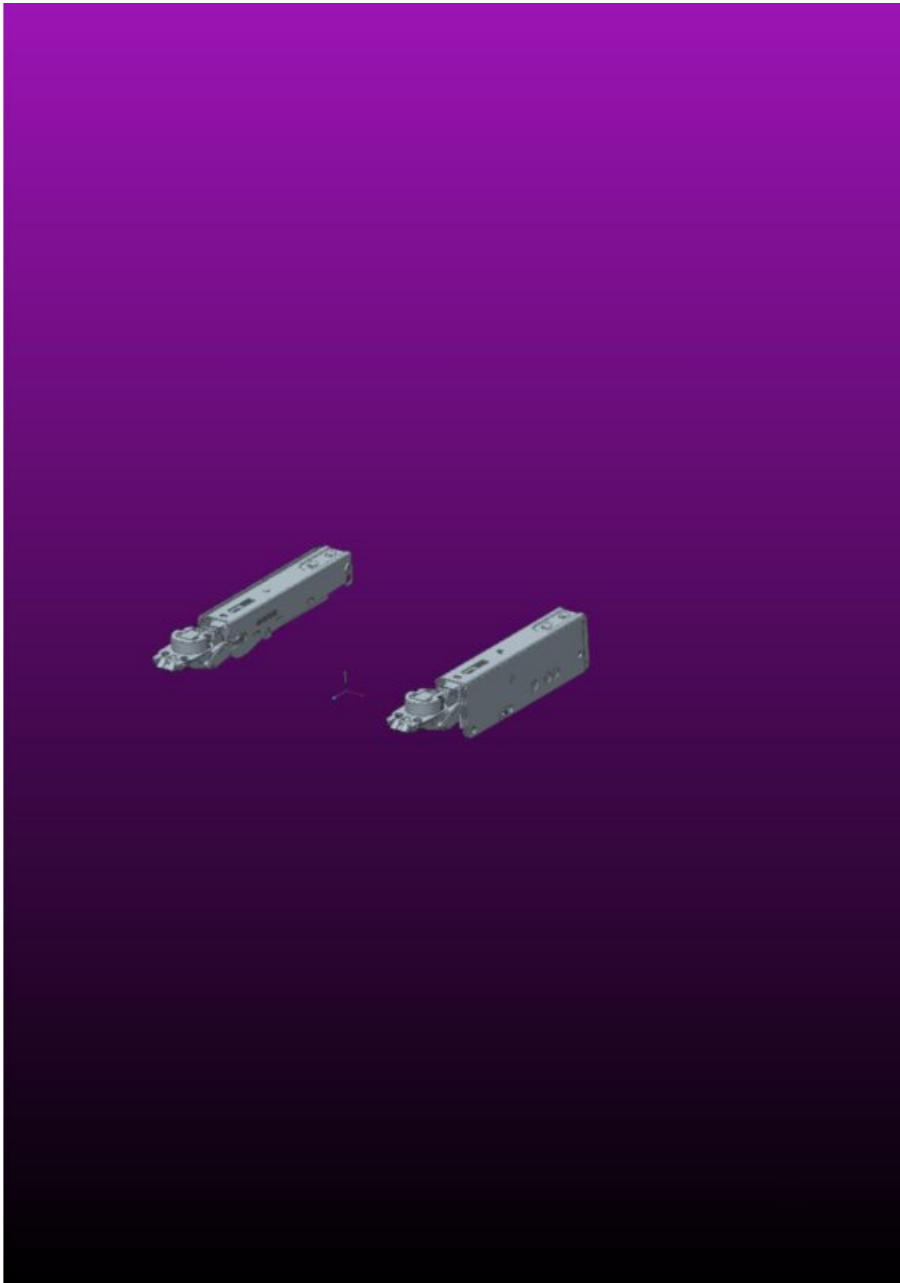


Technical Documents



View this product online at <https://marathonhardware.com/pd/SFRAKFEPWSN9>

Technical Documents



View this product online at <https://marathonhardware.com/pd/SFRAKFEPWSN9>



Technical Documents

SALICE

Wind - Charts and Spring force identification

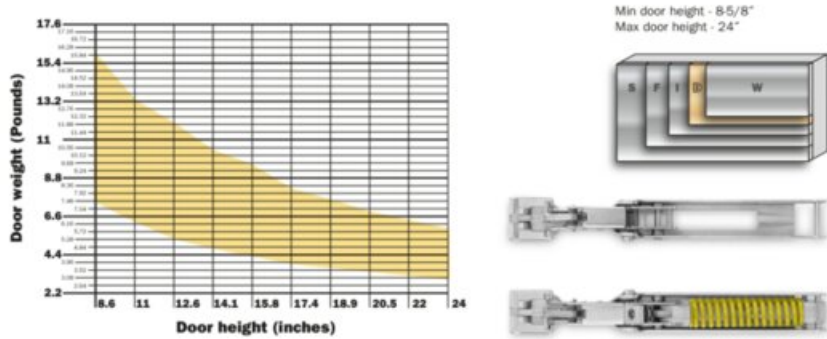
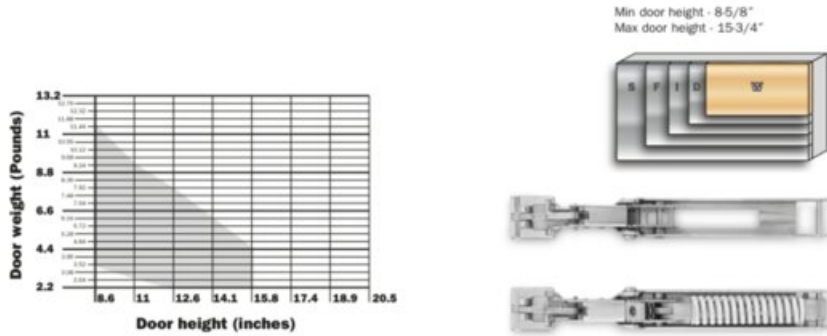
Use the charts to determine the correct lift mechanism based on the door height and the door weight. When calculating the door weight you must include the weight of the decorative hardware. **The maximum door width for two Wind lifts is 1200mm/48"**.
 Note: Wind can be used on doors that are larger or heavier by adding additional Wind lifts to the cabinet and door. This can be done by installing a center partition and adding additional Wind lifts or by utilizing the Top Mount Brackets with additional Wind lifts.
 For all applications requiring more than two Wind lifts, check the Wind charts on pages 19 & 20. Please consult with your local sales representative or contact technical service.

To convert pounds to ounces, use the chart below.

To convert pounds to kilograms:

1Lb = 0,454 KG
 1 Kg = 2.2 Lbs

Weight conversion chart (Lbs. to Oz.) 1 pound = 16 ounces															
oz	1	2	3	4	5	6	7	8	9	10	11	12	13	14	15
lb	.1	.1	.2	.3	.3	.4	.4	.5	.6	.6	.7	.8	.8	.9	.9



18

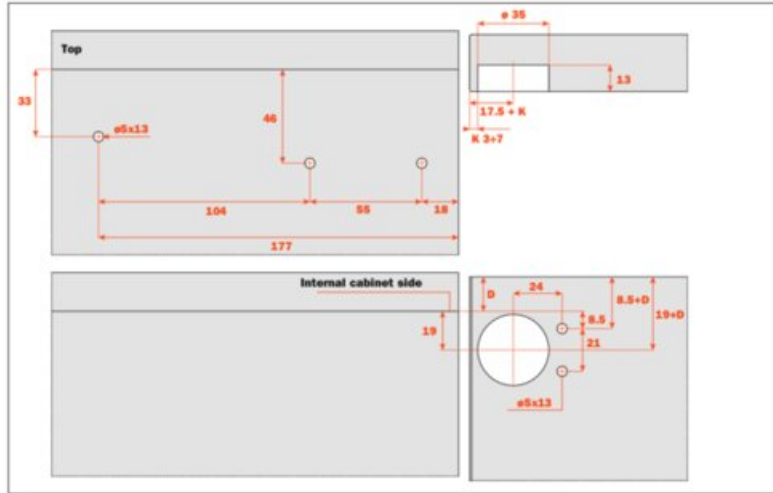
View this product online at <https://marathonhardware.com/pd/SFRAKFEPWSN9>



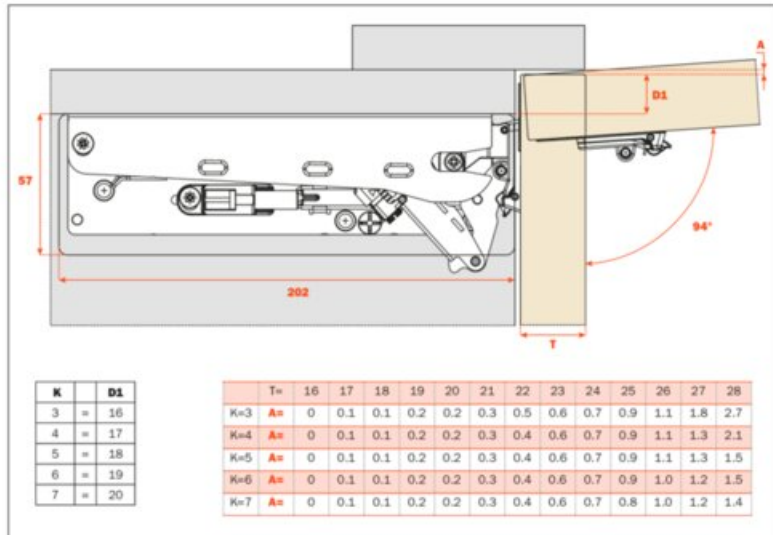
Technical Documents

Dimensions for the fixing

Drilling patterns



Space needed to open the door



SALICE 7

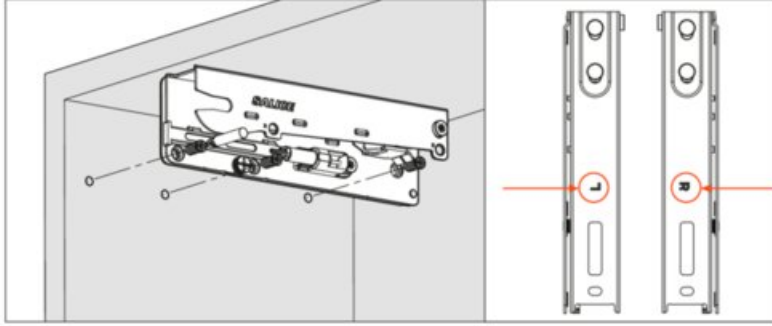
View this product online at <https://marathonhardware.com/pd/SFRAKFEPWSN9>



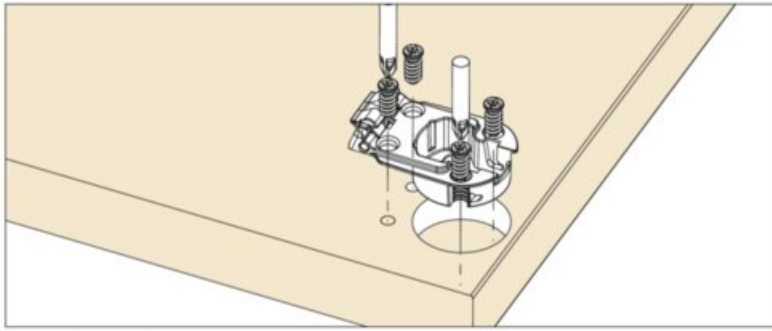
Technical Documents

WIND - Assembly instructions

Fixing the plates to the cabinet sides

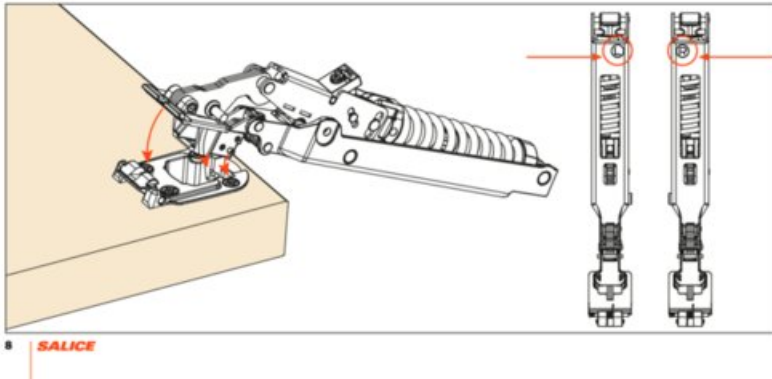


Fixing the cups to the door



Deploying the system to the cups

Connecting the system to the cups. This operation is tool free.



View this product online at <https://marathonhardware.com/pd/SFRAKFEPWSN9>

Technical Documents



View this product online at <https://marathonhardware.com/pd/SFRAKFEPWSN9>



Technical Documents

Magnetic Push - Release device to be recessed and retaining catches

DPMSNB - beige



DPMSNG - grey



Release device.
ø 10 mm, 40 mm length.

Packing
Boxes 250 pcs.
Cartons 1.500 pcs.

DPASNB - beige



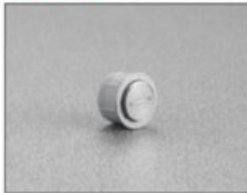
DPASNG - grey



Release device to be used to increase the magnetic holding strength. It must always be used together with the DPM. The suggested position of the DPA is the point of pressure on the door. The DPA can be positioned at any point along the opening edge of the door.
ø 10 mm, 40 mm length.

Packing
Boxes 250 pcs.
Cartons 1.500 pcs.

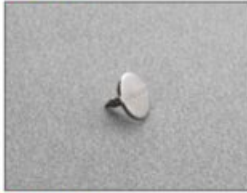
DP39XXG



Adjustable magnetic retaining catch.
ø16.6 mm

Packing
Boxes 250 pcs.

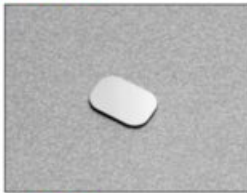
DP28SN9



Retaining catch to be inserted.
ø 11.5 mm.

Packing
Boxes 250 pcs.

DP38XX91



Retaining catch with adhesive.
20x14 mm.

Packing
Boxes 250 pcs.

View this product online at <https://marathonhardware.com/pd/SFRAKFEPWSN9>

