

## Wind Cover Grey and Nickel

**Part Number: SSRXA78AMSNXXF**



The Salice Wind Lift System offers choice of decorative cover between several attractive finishes.

<div><br></div>

Application Type	Flap Door
Finish	Grey & Nickel
Material	Plastic

### Product Description

The Wind lift system from Salice is characterized by compactness and elegant design. Combining the highest levels of performance with smooth and perfectly controlled movement, Wind has strong functional appeal. Taking up only a minimum of valuable storage space, it is truly compact and unobtrusive inside your cabinet. Aesthetically pleasing, Wind's streamlined shape adds significantly to the overall appeal. Extremely versatile, Wind is suitable for a vast range of kitchen and furniture applications while support both small and large doors alike.

Wind is a completely mechanical system that is easy to install tool-free. Fully adjustable for door position with up/down, left/right, and in/out, Wind also enables adjustment on the decelerating effect so you can perfectly tune the closing action to the size and weight of the door.

### Product Advantages

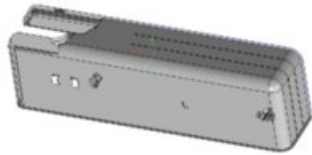
- Match your cabinet interiors
- Modern and stylish
- Easy to install/remove

### Disclaimer

Correct door weights are critical to selecting the correct strength of Wind Lift System. If you have any doubt about which system to select for a given installation, please contact your sales representative or our customer service team before you order any product.

---

Technical Documents



View this product online at <https://marathonhardware.com/pd/SSRXA78AMSNXXF>



## Technical Documents

### WIND

#### Colour of the cover

##### SRXA78A1SNXXI

White  
Cover cap: nickel-plated finish



##### SRXA78A1SNXXI

Stainless steel  
Cover cap: nickel-plated finish



##### SRXA78AMSXXI

Grey  
Cover cap: nickel-plated finish



##### SRXA78ACSNXXI

Champagne  
Cover cap: nickel-plated finish



##### SRXA78A0SNXXI

Satin metal black  
Cover cap: titanium finish



##### SRXA78ANSXXI

Glossy metal black  
Cover cap: titanium finish



View this product online at <https://marathonhardware.com/pd/SSRXA78AMSNXXF>

Technical Documents



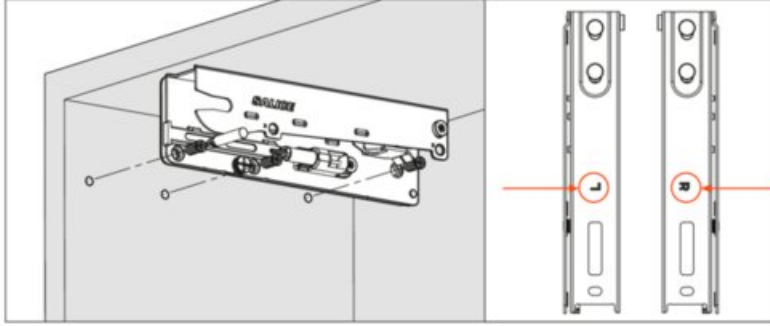
View this product online at <https://marathonhardware.com/pd/SSRXA78AMSNXXF>



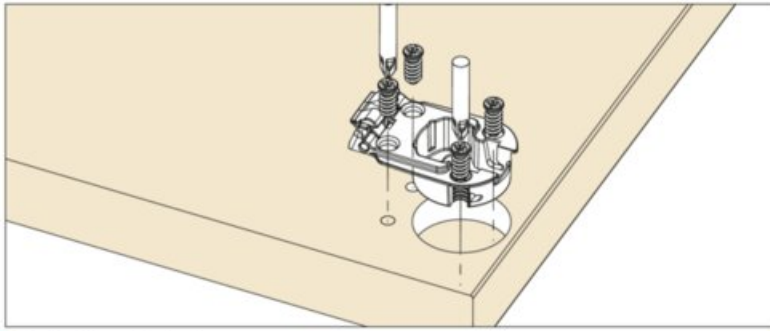
## Technical Documents

### WIND - Assembly instructions

#### Fixing the plates to the cabinet sides

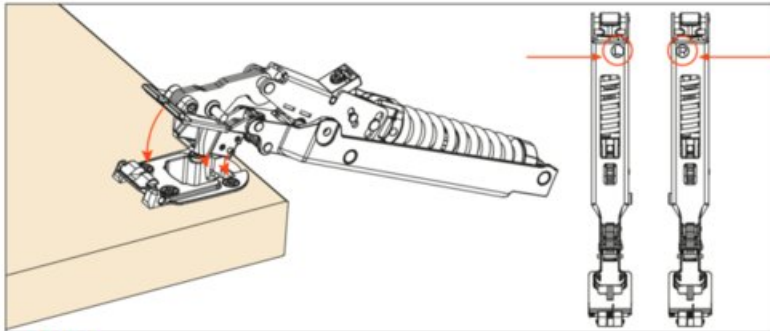


#### Fixing the cups to the door



#### Deploying the system to the cups

Connecting the system to the cups. This operation is tool free.



SALICE

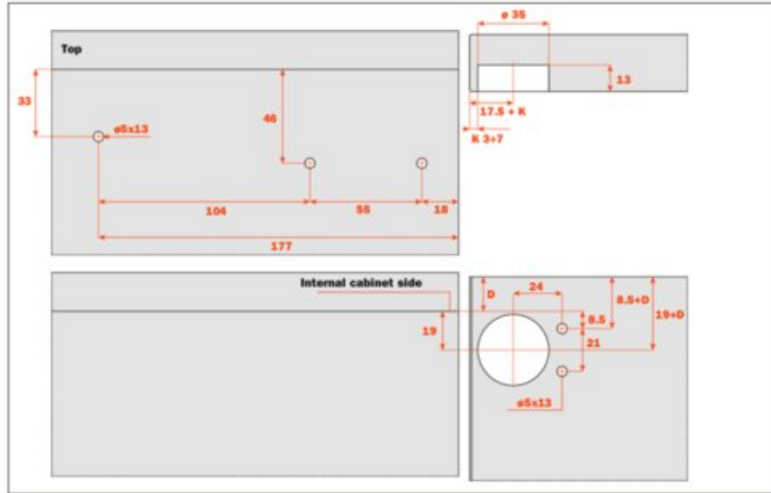
View this product online at <https://marathonhardware.com/pd/SSRXA78AMSNXXF>



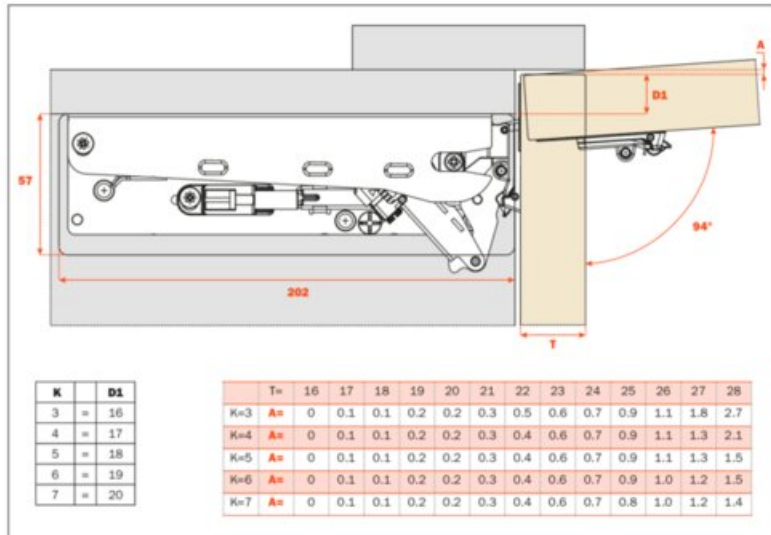
## Technical Documents

### Dimensions for the fixing

#### Drilling patterns



#### Space needed to open the door

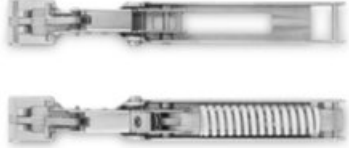

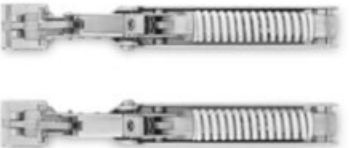









SALICE 7

View this product online at <https://marathonhardware.com/pd/SSRXA78AMSNXXF>

## Technical Documents



SPRING IDENTIFICATION	PART NUMBER FOR SPRING STRENGTH
	
	
	
	
	



View this product online at <https://marathonhardware.com/pd/SSRXA78AMSNXXF>

