



Gas Spring with Damper - 80N

Part Number: 03-3805

Gas Spring with Damper - 80N (18 lbs / 8 kg)

Easily mounted to the inside of your cabinet for vertical lifts providing easy open assist and soft-close.

<div>
</div>

Closing Type	Soft-Close
Force	80 N
Opening Type	Flap Door
Stay Type	Gas Spring

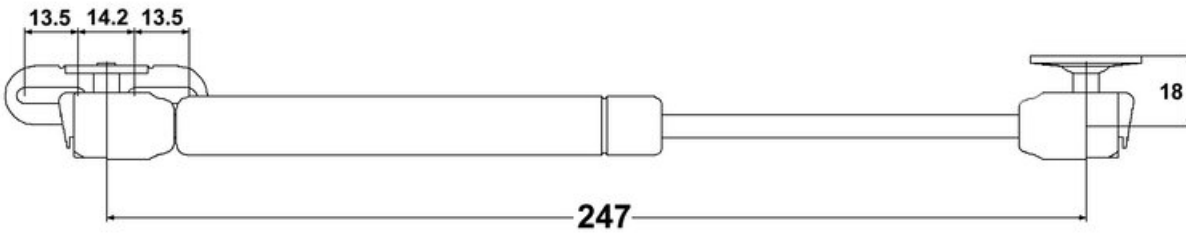
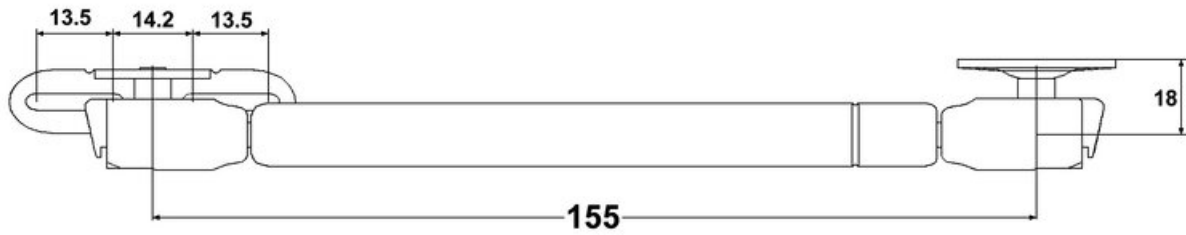
Product Advantages

- Easily add lift-up doors
- Use with standard hinges
- Supports up to 80N (18 lbs / 8 kg)

Important Information

These are more suited for lighter weight doors. Please consult technical documentation for an estimation of door weight capacity depending on your angle, door height and force.

Technical Documents



View this product online at <https://marathonhardware.com/pd/03-3805>



Technical Documents



Gas Spring Lift Stay

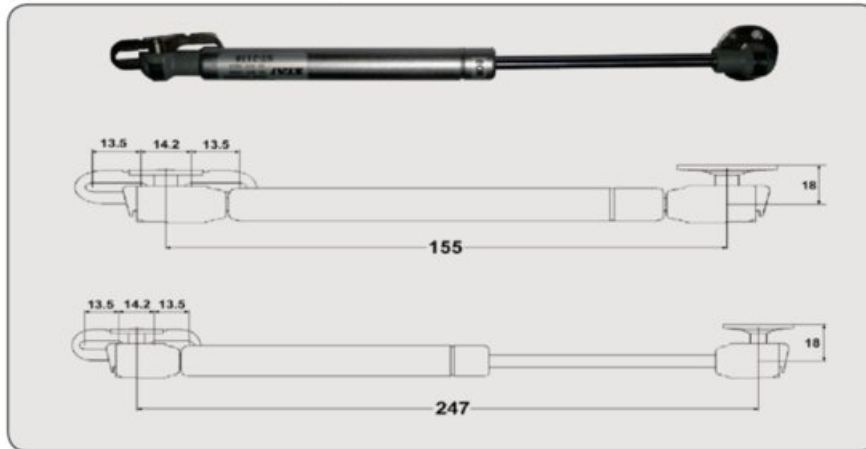
Product Features

- Suitable for wood or aluminum frame doors
- 80N or 120N force
- Steel with attractive nickel finish
- Can be installed one or two per door depending on application
- Load bearing capacity doubles when using two lift stays
- No need to oil or lubricate



Item No.	Force
03 3805	80N (18lbs / 8kg)
03 3807	120N (27lbs / 12kg)

Product Specification



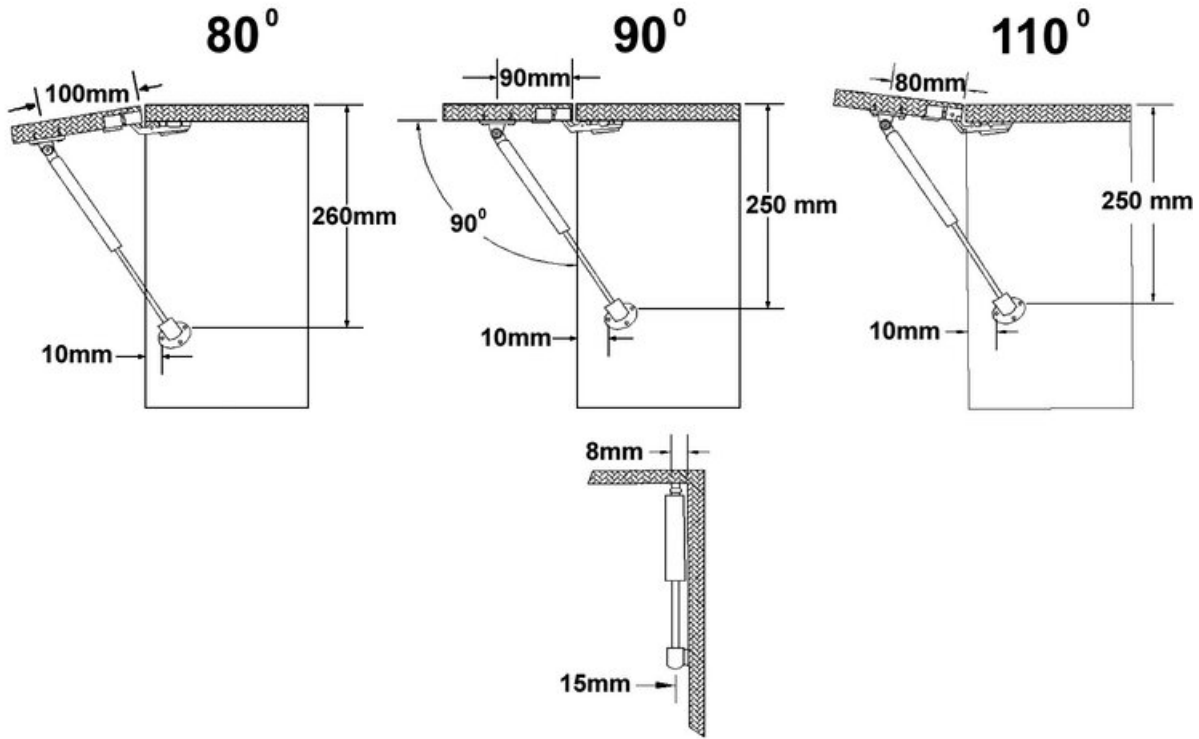
West (1 800 840 1228)

East (1 800 465 8665)

www.marathonhardware.com

View this product online at <https://marathonhardware.com/pd/03-3805>

Technical Documents



View this product online at <https://marathonhardware.com/pd/03-3805>

