



Syphon Plus Plumbing Cutout Insert, Left Side Wall, 250mm Grey

Part Number: 04-1661-250G-L

Syphon Plus Plumbing Cutout Insert, Left Side Wall

This U drawer insert is perfect for sink drawers.

<div>
</div>

| | |
|--|------------|
| Colour - - - - - | Light Grey |
| Interior Dimensions Required - Depth - - - - - | 250 mm |
| Material - - - - - | Plastic |
| Mounting Side - - - - - | Left |

Product Description

Syphon Plus enables easy plumbing cutouts for vanity drawers making the once useless drawer facade a thing of the past. The older method of creating wooden cutouts is labour intensive, so why not save time and money by simplifying the drawer production with Syphon Plus.

Upsell your customers and wow them at the same time, when you offer drawers with their extra storage space as your standard vanity project option. The easy-to-install Syphon Plus will add this value to your projects and profit dollars to your bottom line.

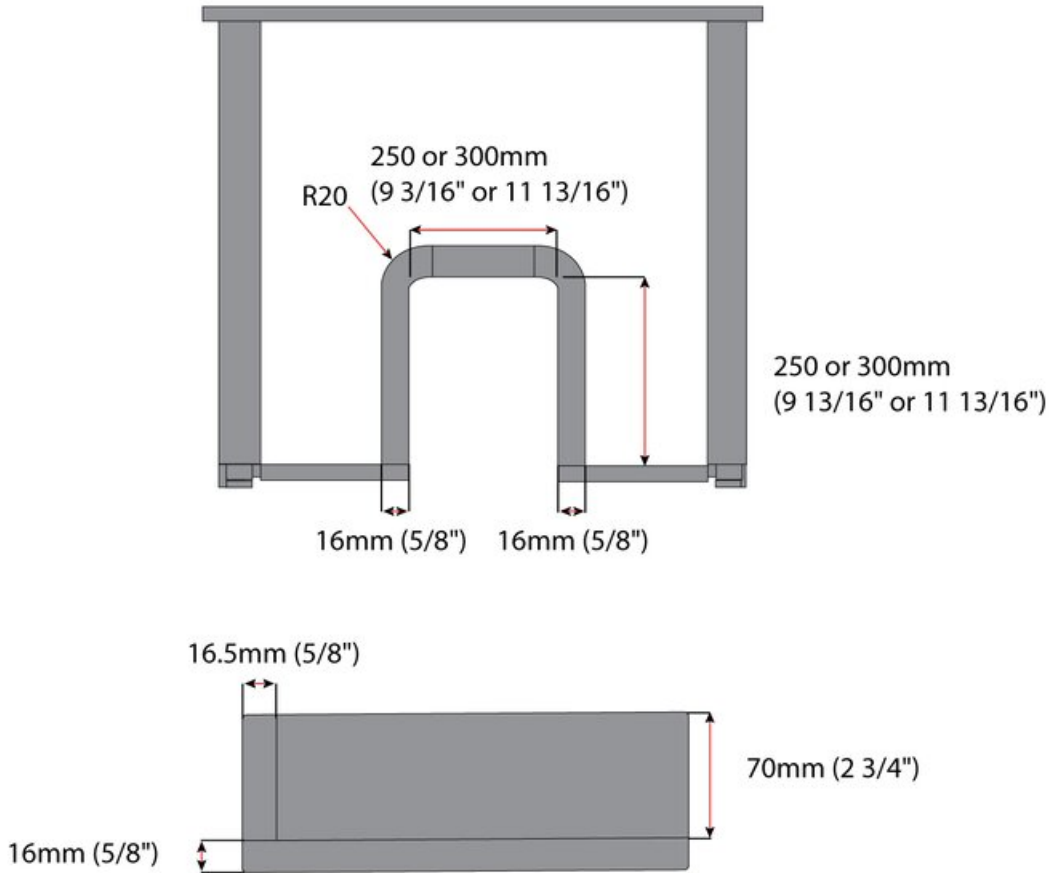
Product Advantages

The Syphon Plus is the perfect fit for use as a plumbing cutout, for in your vanities, or under your sink in kitchens.

- Modern square design suits slim or doublewall drawers
- Snap together pieces combine for different sizes
- Height of 70mm suits common drawer heights
- For taller drawers, match height to lower drawer backs
- Fits securely on 16mm (5/8") bottom / back panel
- Two modern colours: White, Light Grey and Anthracite



Technical Documents



View this product online at <https://marathonhardware.com/pd/04-1661-250G-L>



Technical Documents



MARATHON
HARDWARE

SYPHONPLUS

Technical Specifications & Ordering Guide

800.840.1228 | MARATHONHARDWARE.COM



Syphon Plus enables easy plumbing cutouts for vanity drawers making the once useless drawer facade a thing of the past. The older method of creating wooden cutouts is labour intensive, so why not save time and money by simplifying the drawer production with Syphon Plus.

Upsell your customers and wow them at the same time, when you offer drawers with their extra storage space as your standard vanity project option. The easy-to-install Syphon Plus will add this value to your projects and profit dollars to your bottom line.

PRODUCT FEATURES

The Syphon Plus is the perfect fit for use as a plumbing cutout, for in your vanities, or under your sink in kitchens.

- Modern square design suits slim or doublewall drawers
- Snap together pieces combine for different sizes
- Height of 70mm suits common drawer heights
- For taller drawers, match height to lower drawer backs
- Fits securely on 16mm (5/8") bottom / back panel
- Two modern colours: White and Light Grey

View this product online at <https://marathonhardware.com/pd/04-1661-250G-L>

