



## Extra Basket Adaptor for Extendable Frame, Anthracite Dark Grey



**Part Number: 041-VGBA-AG**

Extra Basket Adaptor for Extendable Frame, Anthracite Grey

Provides a mounting point for additional basket in the extendable section of the pantry frame.

|                    |                 |
|--------------------|-----------------|
| Finish .....       | Anthracite Grey |
| Frame Finish ..... | Anthracite      |
| Height .....       | 140 mm          |

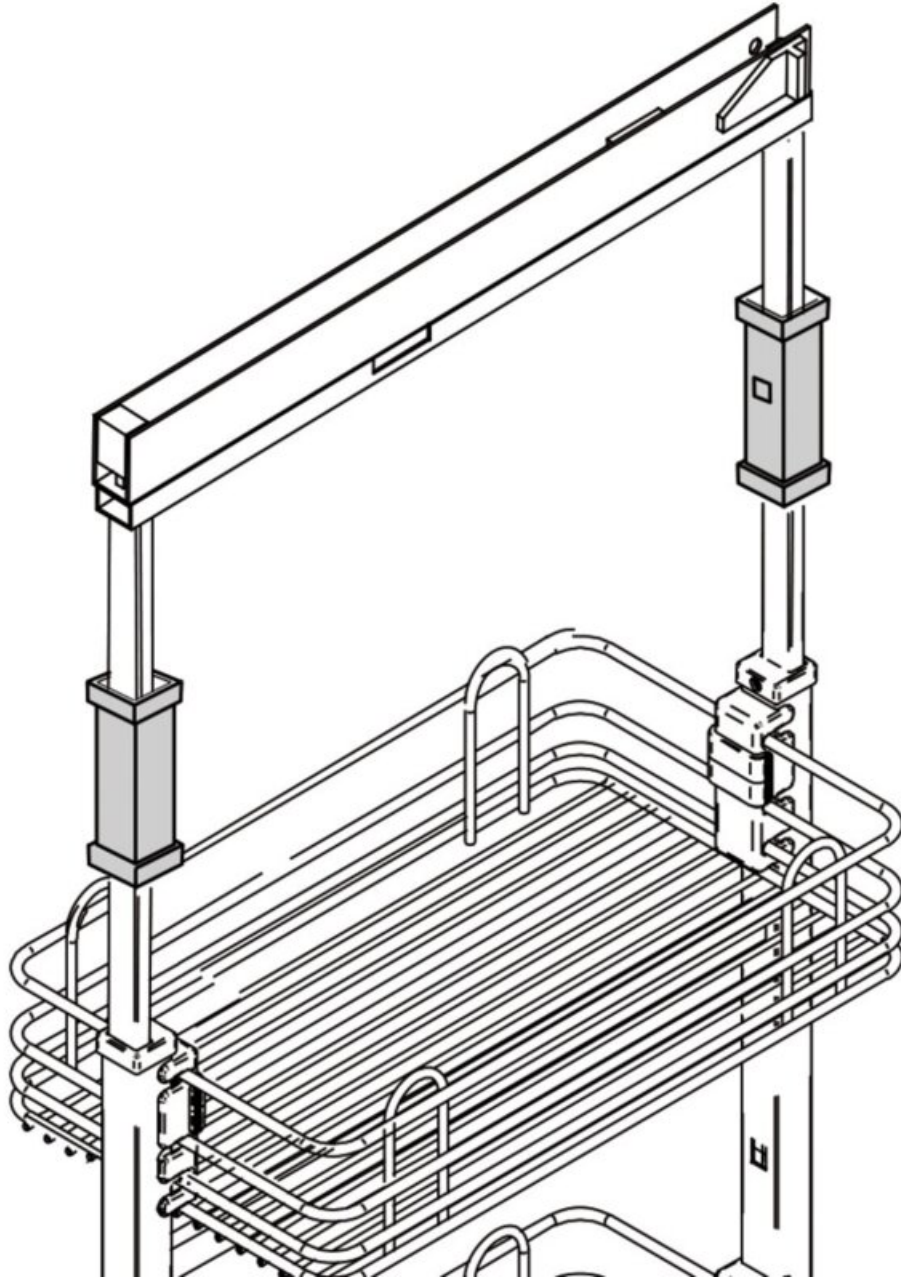
### Product Description

This adaptor bracket enables you to install an additional basket to the extension part of the pantry pullout frame.

---



## Technical Documents



View this product online at <https://marathonhardware.com/pd/041-VGBA-AG>

