



Pantry Pullout Door Mount Bracket 400mm

Part Number: 041-VBR400

Pantry Pull Out 400mm Door Mounting Bracket

These door mounting brackets come in a variety of lengths to securely fasten your pantry pullout to your cabinet door.

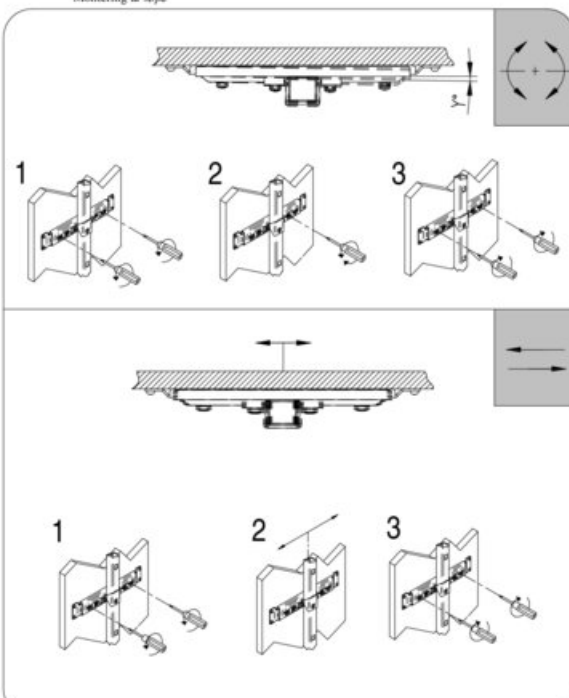
Finish	Light Grey
Length	400 mm (15-3/4 in)
Material	Metal
Suggested for Cabinet (Door) Width	450 mm (18 in)

Product Description


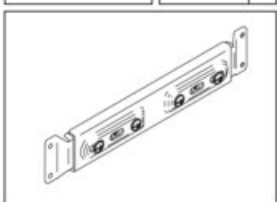
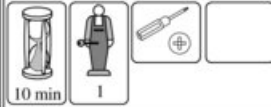
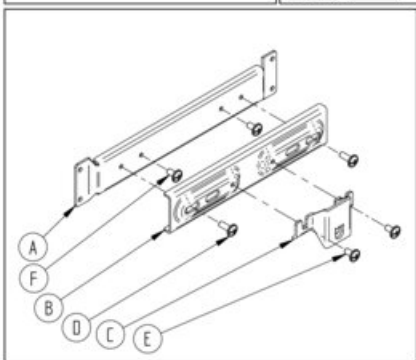



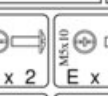

Bracket provides for 6-way door adjustment. We recommend 3 door-mount brackets to secure your frame to door for most tall pantry doors.

Technical Documents

Montaggio colonna
 Assembling Pull-Out column
 Montage de la colonne
 Montage del elemento columna
 Montering av kolumn
 Montage des Rahmen
 Montering af søjle



16/11/2011 cod.4004109251_4 4/4

	Portata massima Maximum load: Charge max. Maximale belastbarkeit Cargo maxime	Istruzioni di montaggio Assembling instructions Notice de montage Montageanleitung Manual de montaje		
		CK130/140/145/150/160N 		
		PRIMA DI COMINCIARE, VEDERE I CONSIGLI DI MONTAGGIO BEFORE STARTING, REFER TO THE ASSEMBLING ADVICE IN ANNEX AVANT DE COMMENCER, REPORTEZ AUX CONSEILS DE MONTAGE EN ANNEXE VOR DEM MONTAGE, BITTE BEILEGENDE ANWEISUNGEN FOLGEN ANTES DE EMPREZAR, CONSULTE LOS CONSEJOS PARA EL MONTAJE		
 A x 1	 B x 1	 C x 1	 D x 2	 E x 4

16/11/2011 cod.4004109251_4 1/4

View this product online at <https://marathonhardware.com/pd/041-VBR400>

