



## Pivoting Slide for Pantry Pullout, 100kg

**Part Number: 041-VSP200**




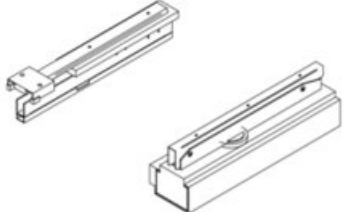




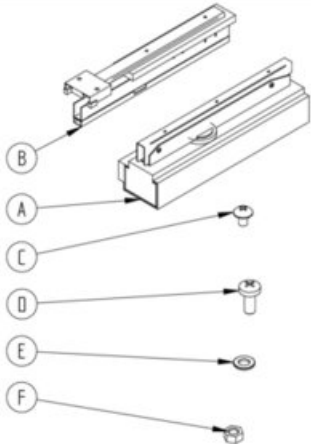






Pivoting Slide for Pantry Pull Out

This full extension pivoting slide has a dampened return. It enables 90° rotation of the frame to the right or left when fully opened.

Closing Type	Soft-Close
Depth	505 mm (19-11/16 in)
Finish	Grey
Height	265 mm (10-1/2 in)
Length	505 mm (19-7/8 in)
Load Capacity	100 kg
Material	Metal
Slide Extension Type	Full Extension



## Technical Documents

	Portata massima: Maximum load: Charge maxi: Maximale belastbarkeit: Carga maxima:	<b>100</b> Kg  <b>Istruzioni di montaggio</b> Assembling instructions Notice de montage Montageanleitung Manual de montaje			
	<div style="text-align: center; font-size: 24px; font-weight: bold;">GCFTMR</div> <div style="display: flex; justify-content: space-around; align-items: center;"> <div style="text-align: center;">  15 min         </div> <div style="text-align: center;">  1         </div> <div style="text-align: center;">  </div> <div style="text-align: center;">  8         </div> </div>				
	<p><b>PRIMA DI COMINCIARE, VEDERE I CONSIGLI DI MONTAGGIO</b></p> <p>BEFORE STARTING, REFER TO THE ASSEMBLING ADVICE IN ANNEX</p> <p>AVANT DE COMMENCER, SE REPORTER AUX CONSEILS DE MONTAGE EN ANNEXE</p> <p>VOR DIE MONTAGE, BITTE BEILIEGENDE ANWEISUNGEN FOLGEN</p> <p>ANTES DE EMPEZAR CONSULTE LOS CONSEJOS PARA EL MONTAJE</p>				
 A x 1	 B x 1	 M4x6 C x 2 Mod. ...04	 M5x12 D x 5	 E x 2	 F x 2

14/09/2011 cod.4004111620\_5

1/4

View this product online at <https://marathonhardware.com/pd/041-VSP200>

