





Maxi Pantry Pullout Kits for 450mm (18in) - Anthracite Dark Grey

Part Number: Maxi-Pantry-450

	Included in this webkit	Qty Required
	Maxi Pantry Pullout Frame 450mm Anthracite Grey Part #: 041-VGM1945-AG	1
	Maxi Pantry Basket 450mm Anthracite Dark Grey Part #: 041-VGML450-AG	1

Maxi Pantry Pull Out Kits, Anthracite Grey

Maximize your storage in tall pantry cabinets with the original Maxi Pantry Pullout. Mounts to the bottom/side of your cabinet with fixed height tall frame.

Basket Bottom Colour	Dark Grey
Basket Bottom Type	Anti-Slip Melamine
Basket Wire Finish	Anthracite
Finish	Anthracite Grey
Frame Finish	Anthracite
Frame Type	Tall
Interior Depth Required	488 mm
Interior Height Required	1845 mm (72-5/8 in)
Interior Width Required	403 mm
Load Capacity	120 kg
Pullout Type	Pantry
Reversible	Universal
Suggested for Cabinet (Door) Width	450 mm (18 in)

Product Description

The new and improved Maxi Pantry offers a solution for hinged cabinets where the baskets move out automatically when the door is opened. The improved mechanism is now fixed height and stabilizes the motion with an attachment to the side of the cabinet. For fullest extension, we recommend 120 degree hinges but 110 degree is also compatible.

Product Advantages

- Two widths for 450mm (18") or 600mm (24") cabinets
- Use 120 degree hinges for full extension of baskets
- Load capacity: 120kg (265lbs)

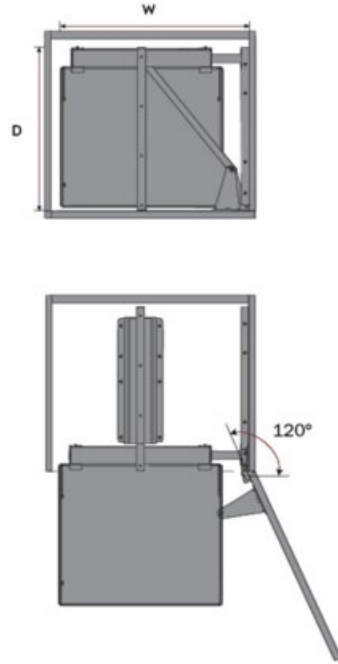


Technical Documents

Planning

Minimum Interior Cabinet Dimensions mm/inch

- A** W x H x D 403 x 1845 x 488mm (15 7/8 x 72 3/4 x 19 1/4")
- B** W x H x D 553 x 1845 x 488mm (21 3/4 x 72 3/4 x 19 1/4")



* Right Open Shown. Product is Universal.

1 Maxi Pantry Frame and Slide, Anthracite Grey



W x H x D
403 or 553 x 1845 x 488mm
(15 7/8 or 21 3/4 x 72 3/4 x 19 1/4")

Cabinet Width	Part#
A 450mm (18")	041-VGM1945-AG
B 600mm (24")	041-VGM1960-AG

2 Maxi Pantry Baskets, Anthracite Grey set of 5



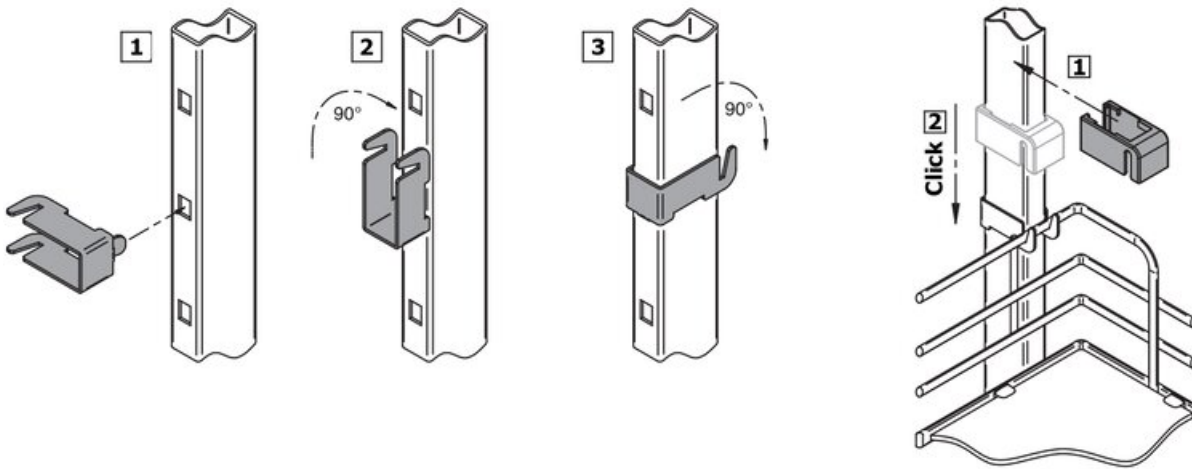
W x H x D
320 or 470 x 158 x 410mm
(12 1/4 or 18 1/2 x 6 1/4 x 16 1/4")

Cabinet Width	Part#
A 450mm (18")	041-VGML450-AG
B 600mm (24")	041-VGML600-AG

View this product online at <https://marathonhardware.com/pd/Maxi-Pantry-450>

Technical Documents

Basket Position Adjustment Instructions



View this product online at <https://marathonhardware.com/pd/Maxi-Pantry-450>

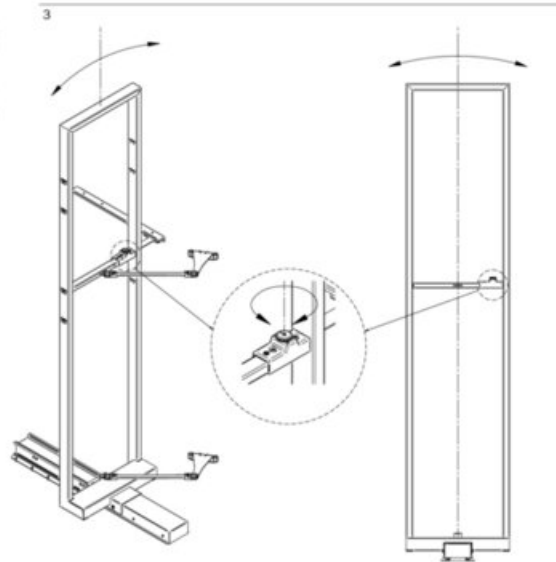
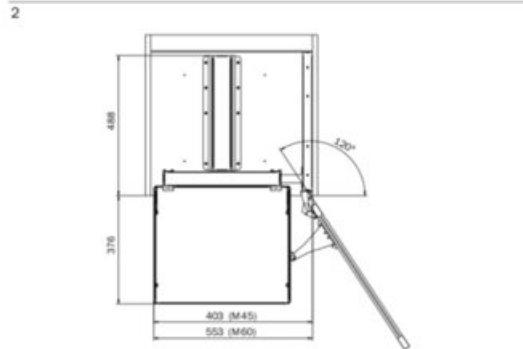
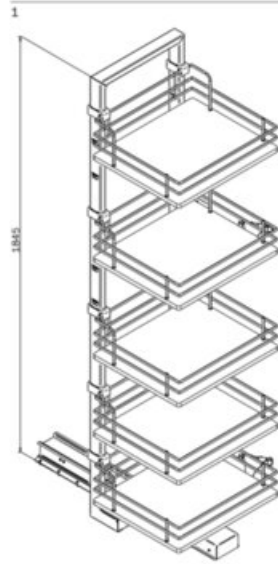


Technical Documents

Maxi-Pantry

- 1. Overall dimensions
- 2. Maxi-Pantry:
Opening door to 120°

- 3. Lateral tilt adjustment



View this product online at <https://marathonhardware.com/pd/Maxi-Pantry-450>



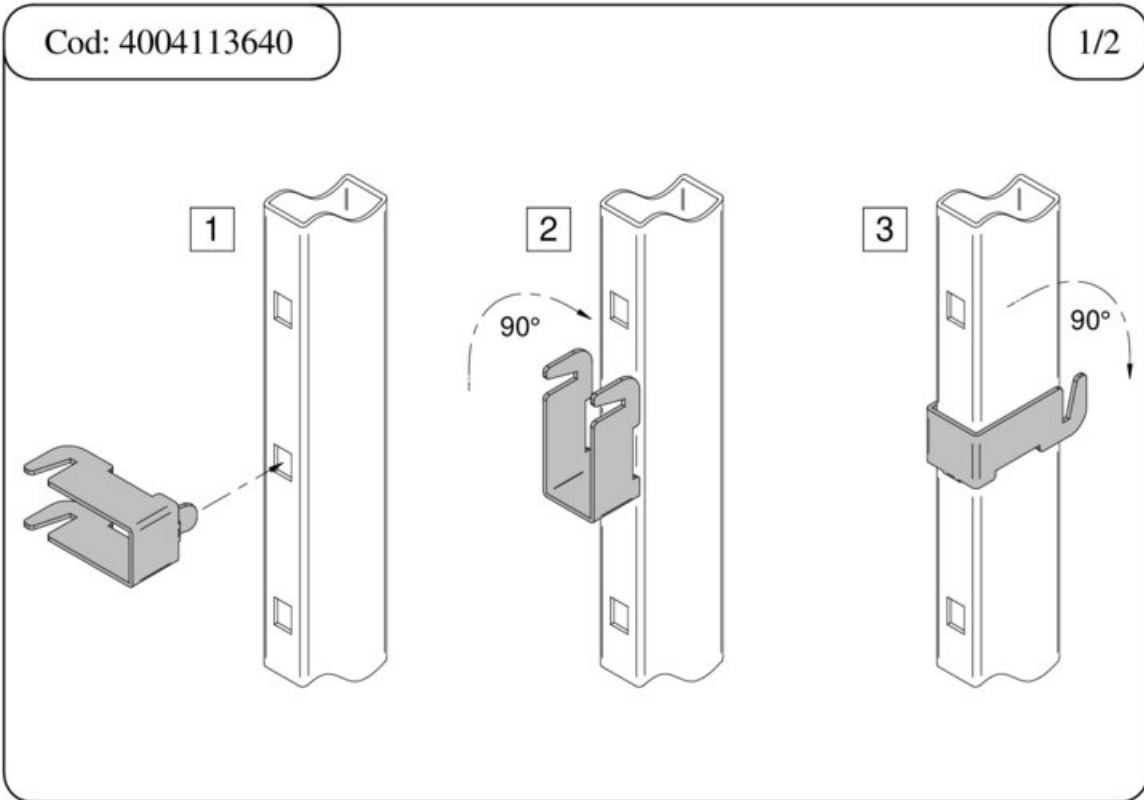
Technical Documents

Istruzioni di montaggio Assembling instructions Notice de montage Montageanleitung Manual de montaje		Portata massima: Maximum load: Charge maxi: Maximale belastbarkeit: Carga maxima:	75 Kg						
45 	60 	CEM45S/17.. CEM60S/17..							
30 min.		1							
60 		PRIMA DI COMINCIARE, VEDERE I CONSIGLI DI MONTAGGIO BEFORE STARTING, REFER TO THE ASSEMBLING ADVICE IN ANNEX AVANT DE COMMENCER, SE REPORTER AUX CONSEILS DE MONTAGE EN ANNEXE VOR DIE MONTAGE, BITTE BEILIEGENDE ANWEISUNGEN FOLGEN ANTES DE EMPEZAR, CONSULTE LOS CONSEJOS PARA EL MONTAJE							
 A x 1	 B x 1	 C x 1	 D x 2	 E x 1	 F x 1	 G x 1	 H x 2	 I x 1	 L x 1
 M x 1	 N x 1	 O x 4	 Q x 4	 R x 2	 S x 2	 T x 3	 U x 6	 V x 27	

15/06/2017 cod.4004118850 rev.01

1/8

View this product online at <https://marathonhardware.com/pd/Maxi-Pantry-450>



View this product online at <https://marathonhardware.com/pd/Maxi-Pantry-450>

