



Fly Moon Arm Left Soft-Close Sml/Md Grey

Part Number: 041-VSQFLYASTM2SXVG

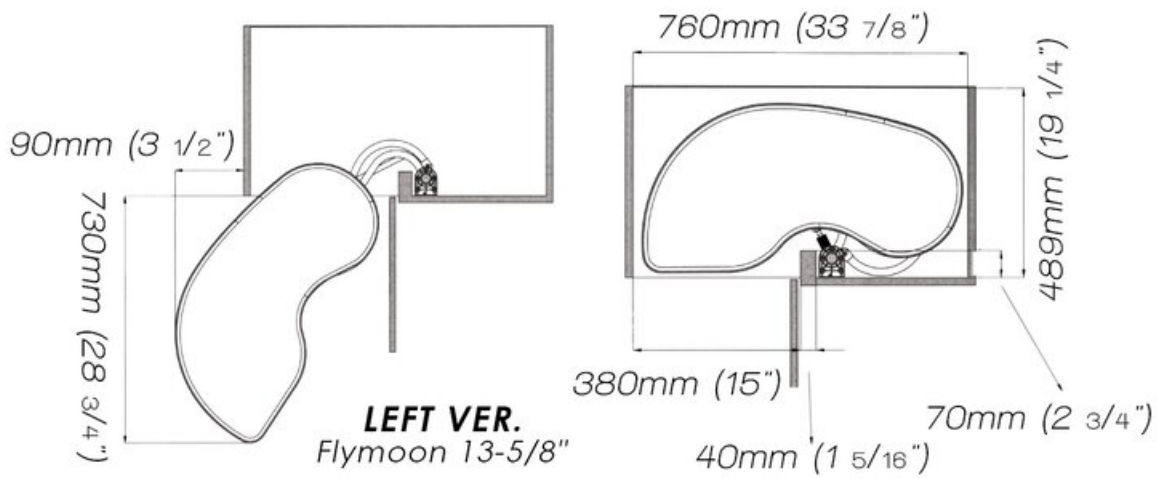
Fly Moon Mechanism with Soft-Close for 13-5/8" and 16" Openings, Left Version in Light Grey

Available in three finishes, to be matched to the appropriate basket colours. Some mechanisms come with Soft-Close Adaptor, some sold separately.

Closing Type	Soft-Close
Finish	Light Grey
Frame Finish	Light Grey
Interior Height Required	655 - 805 mm (26-3/16 - 31-11/16 in)
Material	Steel
Opening Direction	Left
Order	Left
Pullout Type	Arm Mechanisms
Reversible	Non Reversible
Suggested for Cabinet (Door) Width	400 or 450mm (16 or 18in)



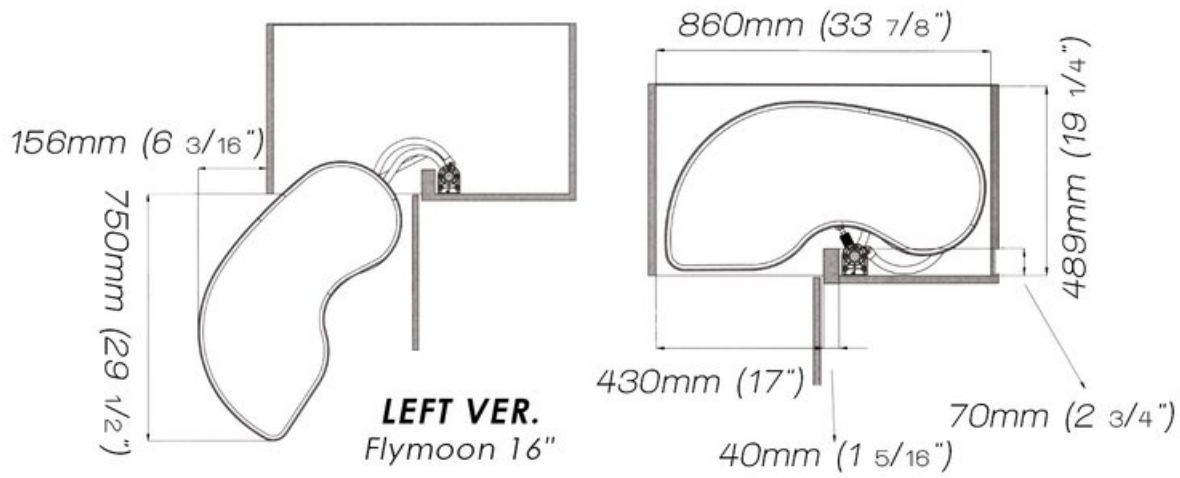
Technical Documents



View this product online at <https://marathonhardware.com/pd/041-VSQFLYASTM2SXVG>



Technical Documents



View this product online at <https://marathonhardware.com/pd/041-VSQFLYASTM2SXVG>



Technical Documents

	Portata massima: Maximum load: Charge maxi: Maximale belastbarkeit: Carga maxima:	40 Kg	Istruzioni di montaggio Assembling instructions Notice de montage Montageanleitung Manual de montaje					
<p>-VERSIONE DESTRA -RIGHT HAND VERSION -VERSION DROITE -RECHT VERSION -VERSION DERECHA</p>	FLYSTM240DXM2... FLYSTM240SXM2... FLYSTM245DXM2... FLYSTM245SXM2... FLYSTM260DXM2... FLYSTM260SXM2...							
20 min	1							
A x 2	B x 1	C x 1	D x 1	E x 1	F x 1	G x 2	H x 1	I x 1
L x 4	M x 4	N x 2				O x 20	P x 4	Q x 11

14/05/2014 cod. 4004116410_04

1/4

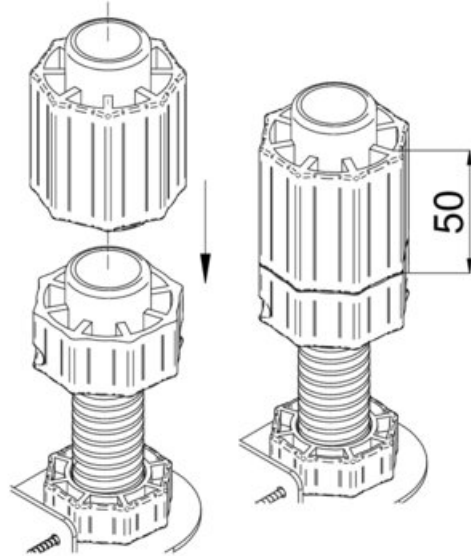
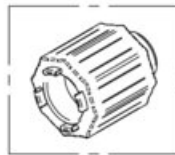
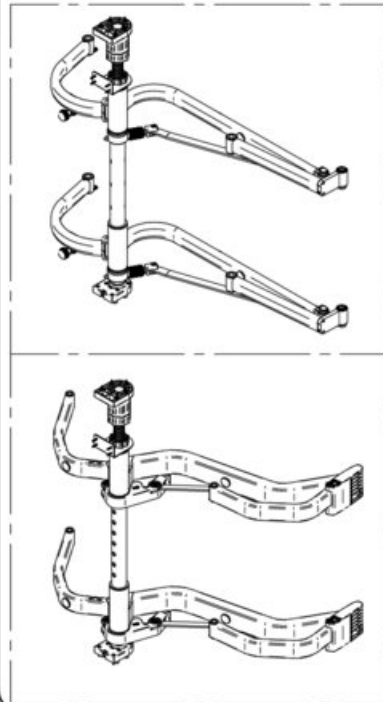
View this product online at <https://marathonhardware.com/pd/041-VSQFLYASTM2SXVG>



Technical Documents

Cod: 4004115180_01

1/2



View this product online at <https://marathonhardware.com/pd/041-VSQFLYASTM2SXVG>

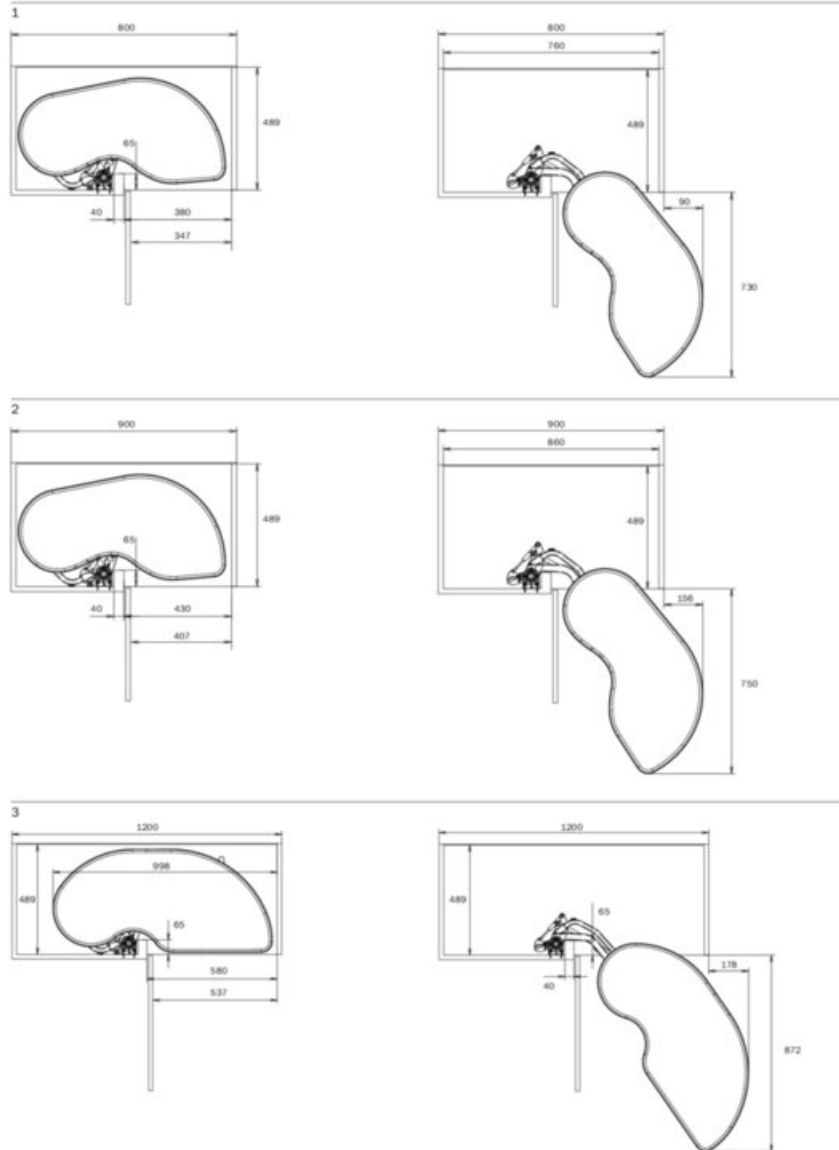


Technical Documents

Fly Moon

- 1. 400 mm (16 in) door overall dimensions
- 2. 450 mm (18 in) door overall dimensions
- 3. 600 mm (24 in) door overall dimensions


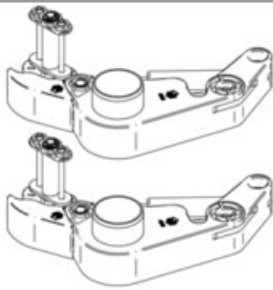

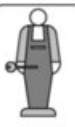

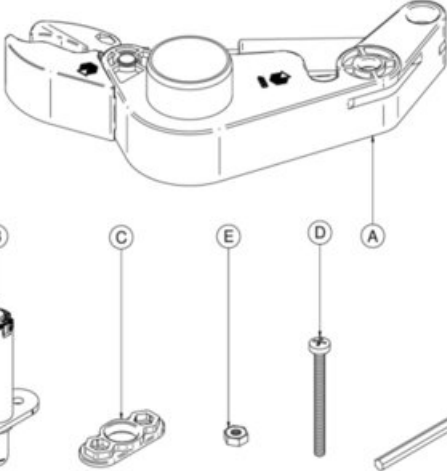






The drawing shows the Fly Moon arm mechanism with right open shelves.



View this product online at <https://marathonhardware.com/pd/041-VSQFLYASTM2SXVG>



Technical Documents

	Portata massima: Maximum load: Charge maxi: Maximale belastbarkeit: Carga maxima:	/	Istruzioni di montaggio Assembling instructions Notice de montage Montageanleitung Manual de montaje		
		FLYM2DX FLYM2SX			
 20 min		 1			
			PRIMA DI COMINCIARE, VEDERE I CONSIGLI DI MONTAGGIO BEFORE STARTING, REFER TO THE ASSEMBLING ADVICE IN ANNEX AVANT DE COMMENCER, SE REPORTER AUX CONSEILS DE MONTAGE EN ANNEXE VOR DIE MONTAGE, BITTE BEILIEGENDE ANWEISUNGEN FOLGEN ANTES DE EMPEZAR CONSULTE LOS CONSEJOS PARA EL MONTAJE		
 A x 2	 B x 2	 C x 2	 M4 x 50 D x 4	 M4 E x 4	 F x 1

13/07/2015 cod. 4004115890_1

1/2

View this product online at <https://marathonhardware.com/pd/041-VSQFLYASTM2SXVG>

