



Single Bin 9L + handles, SM Size

Part Number: 041-PCO-SM09G

Single Bin 9L + handles

Build your own drawer pullouts with waste bin storage using these bins, or use them as replacements.

Colour -----	Light Grey
Component Type -----	Bin
Depth -----	219 mm
Height -----	310 mm
Length -----	183 mm
Lid Size -----	SM
Volume -----	9L

Product Description

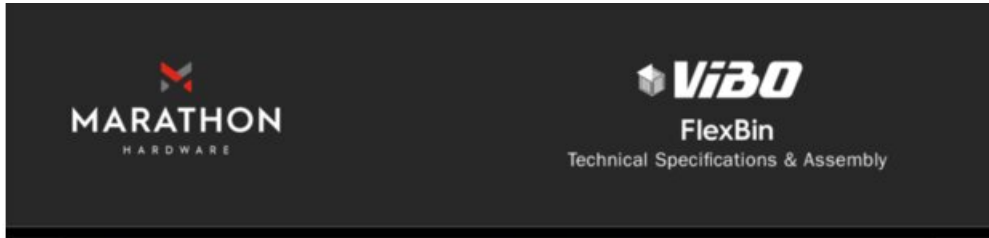
Store large amounts of waste or recycling in this bin. Made from non-toxic materials and resistant to high and low temperatures, this quality waste bin will not deform or warp under regular everyday use. The integrated handles make removal and carrying a breeze.

Product Advantages

- Recyclable, non toxic material
- Resistant to low & high temperatures
- Non deformable
- Integrated handles for easy removal
- Lid available



Technical Documents



Flexbin

Product Features



The FlexBin is a single, universal set of C-channels designed to be installed inside a drawer to accommodate one of four different size Vibo bins. FlexBin is ideal for waste, recycling, and compost, but can be used for any number of storage applications.

- Perfect for a retrofit
- Easy to install, can be done on-site
- All hardware included
- Bins sold separately
- includes a real-size positioning template

Flexbin C-shaped bottom holder

Description	Finish	Part#
W x H x D 217 x 89 x 182.5mm (8 1/2 x 3 1/2 x 7 1/4")	Anthracite	041-PVCSH-AG
W x H x D 217 x 89 x 182.5mm (8 1/2 x 3 1/2 x 7 1/4")	Light grey	041-PVCSH-G

Waste Bin, Anthracite grey (sold separately)

Description	Size	Part#
W x H x D 185 x 310 x 219mm (7 1/4 x 12 1/2 x 8 1/4")	SM	041-PCO-SM09-AG
W x H x D 185 x 370 x 219mm (7 1/4 x 14 1/4 x 8 1/4")	SM	041-PCO-SM10-AG
W x H x D 295 x 430 x 219mm (11 1/2 x 17 x 8 1/4")	ME	041-PCO-ME20-AG
W x H x D 365 x 460 x 219mm (14 1/4 x 18 1/4 x 8 1/4")	LA	041-PCO-LA30-AG

Waste Bins, Light grey (Sold separately)

Description	Size	Part#
W x H x D 185 x 310 x 219mm (7 1/4 x 12 1/2 x 8 1/4")	SM	041-PCO-SM09-G
W x H x D 185 x 370 x 219mm (7 1/4 x 14 1/4 x 8 1/4")	SM	041-PCO-SM10-G
W x H x D 295 x 430 x 219mm (11 1/2 x 17 x 8 1/4")	ME	041-PCO-ME20-G
W x H x D 365 x 460 x 219mm (14 1/4 x 18 1/4 x 8 1/4")	LA	041-PCO-LA30-G

800.840.1228 / MARATHONHARDWARE.COM

View this product online at <https://marathonhardware.com/pd/041-PCO-SM09G>



Technical Documents



800.840.1228 | MARATHONHARDWARE.COM

ViBO

INTRODUCING FlexBin

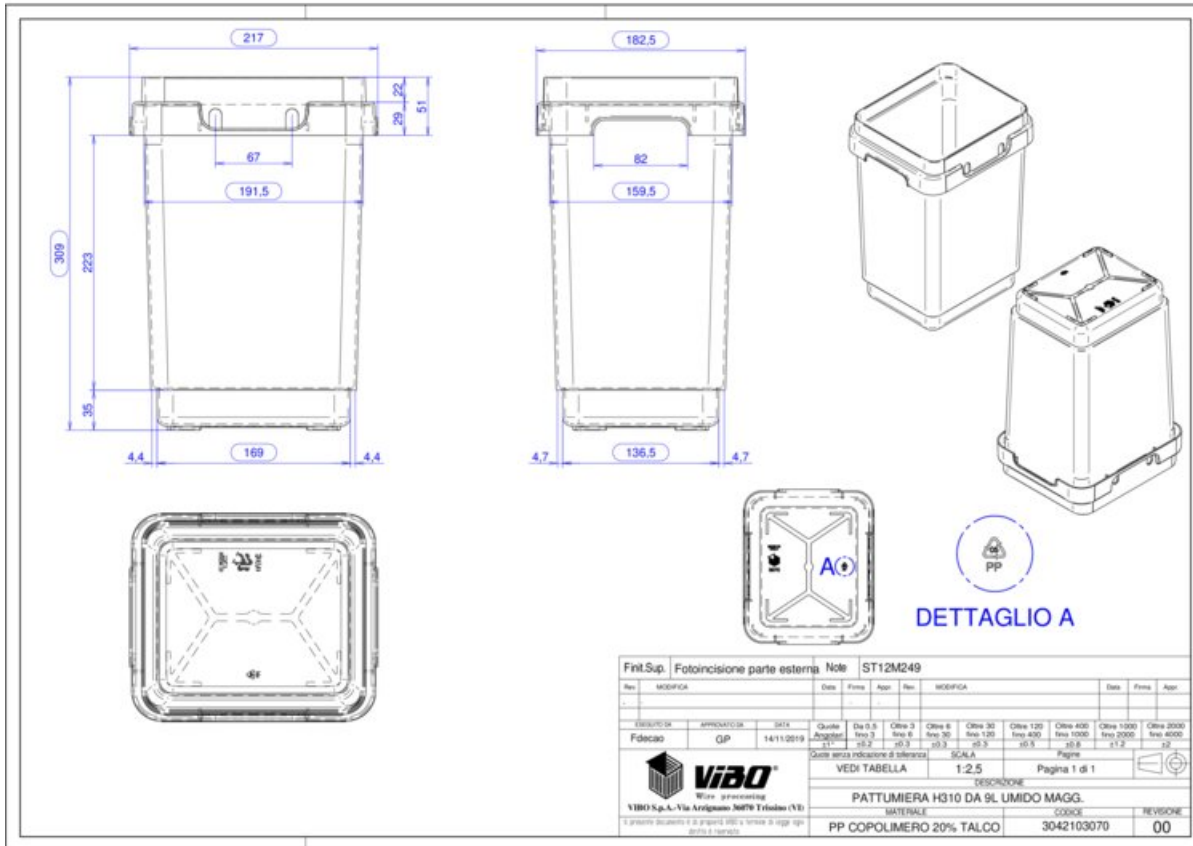
The FlexBin is a single, universal set of C-channels designed to be installed inside a drawer to accommodate one of four different size Vibo bins. FlexBin is ideal for waste, recycling, and compost, but can be used for any number of storage applications.

Product Features:

- Perfect for a retrofit
- Easy to install, can be done on-site
- All hardware included
- Bins sold separately
- Includes full scale positioning template

View this product online at <https://marathonhardware.com/pd/041-PCO-SM09G>

Technical Documents



View this product online at <https://marathonhardware.com/pd/041-PCO-SM09G>

