



## Single Bin 10L + handles, SM Size

**Part Number: 041-PCO-SM10G**

Single Bin 10L + handles

Build your own drawer pullouts with waste bin storage using these bins, or use them as replacements.

Colour -----	Light Grey
Component Type -----	Bin
Depth -----	219 mm
Height -----	370 mm
Length -----	183 mm
Lid Size -----	SM
Volume -----	10L

### Product Description

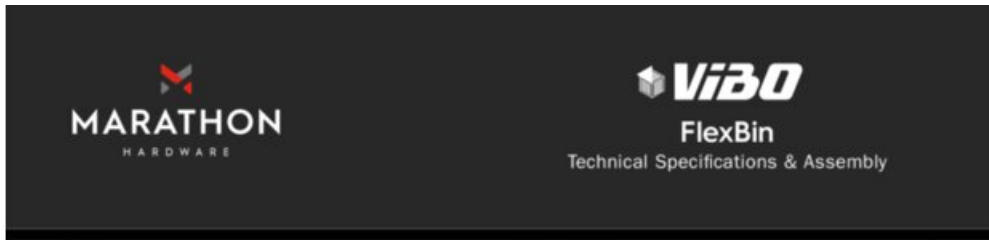
Store large amounts of waste or recycling in this bin. Made from non-toxic materials and resistant to high and low temperatures, this quality waste bin will not deform or warp under regular everyday use. The integrated handles make removal and carrying a breeze.

### Product Advantages

- Recyclable, non toxic material
- Resistant to low & high temperatures
- Non deformable
- Integrated handles for easy removal
- Lid available



## Technical Documents



### Flexbin

### Product Features



The FlexBin is a single, universal set of C-channels designed to be installed inside a drawer to accommodate one of four different size Vibo bins. FlexBin is ideal for waste, recycling, and compost, but can be used for any number of storage applications.

- Perfect for a retrofit
- Easy to install, can be done on-site
- All hardware included
- Bins sold separately
- includes a real-size positioning template

### Flexbin C-shaped bottom holder

Description	Finish	Part#
W x H x D 217 x 89 x 182.5mm ( 8 1/2 x 3 1/2 x 7 1/4")	Anthracite	041-PVCSH-AG
W x H x D 217 x 89 x 182.5mm ( 8 1/2 x 3 1/2 x 7 1/4")	Light grey	041-PVCSH-G

### Waste Bin, Anthracite grey (sold separately)

Description	Size	Part#
W x H x D 185 x 310 x 219mm ( 7 1/4 x 12 1/4 x 8 1/4")	SM	041-PCO-SM09-AG
W x H x D 185 x 370 x 219mm ( 7 1/4 x 14 1/4 x 8 1/4")	SM	041-PCO-SM10-AG
W x H x D 295 x 430 x 219mm ( 11 1/2 x 17 x 8 1/4")	ME	041-PCO-ME20-AG
W x H x D 365 x 460 x 219mm ( 14 1/4 x 18 1/4 x 8 1/4")	LA	041-PCO-LA30-AG

### Waste Bins, Light grey (Sold separately)

Description	Size	Part#
W x H x D 185 x 310 x 219mm ( 7 1/4 x 12 1/4 x 8 1/4")	SM	041-PCO-SM09-G
W x H x D 185 x 370 x 219mm ( 7 1/4 x 14 1/4 x 8 1/4")	SM	041-PCO-SM10-G
W x H x D 295 x 430 x 219mm ( 11 1/2 x 17 x 8 1/4")	ME	041-PCO-ME20-G
W x H x D 365 x 460 x 219mm ( 14 1/4 x 18 1/4 x 8 1/4")	LA	041-PCO-LA30-G

800.840.1228 / MARATHONHARDWARE.COM

View this product online at <https://marathonhardware.com/pd/041-PCO-SM10G>



## Technical Documents

  
**MARATHON**  
HARDWARE

**FLEXBIN**



800.840.1228 | MARATHONHARDWARE.COM



  
**INTRODUCING** FlexBin

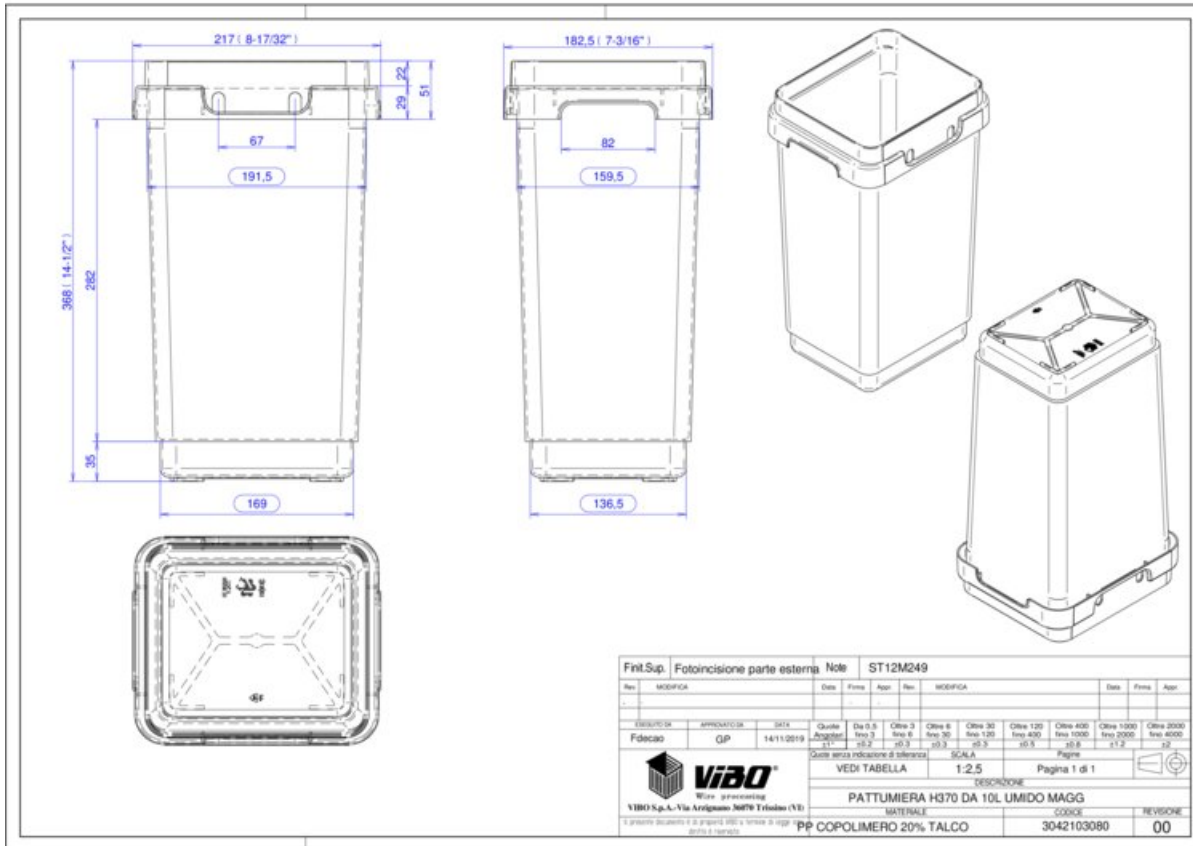
The FlexBin is a single, universal set of C-channels designed to be installed inside a drawer to accommodate one of four different size Vibo bins. FlexBin is ideal for waste, recycling, and compost, but can be used for any number of storage applications.

**Product Features:**

- Perfect for a retrofit
- Easy to install, can be done on-site
- All hardware included
- Bins sold separately
- Includes full scale positioning template

View this product online at <https://marathonhardware.com/pd/041-PCO-SM10G>

## Technical Documents



View this product online at <https://marathonhardware.com/pd/041-PCO-SM10G>

