



Waste Bin Under Sink Chrome 15-1/6" Height, 2 x 15L Bin

Part Number: 041-VSQPETAM332MC

Vibo Compact Undersink Wastebin, 2 x 15L

Small and compact two bin waste pullout, could be installed into under sink cabinets.

<div>
</div>

Bin Included?	Yes
Cover Included?	Yes
Height	15-1/6 in
Interior Depth Required	Min. 19-5/8 in (500 mm)
Interior Height Required	Min. 14-1/2 in (370 mm)
Interior Width Required	Min. 11-3/4 in (300 mm)
Number of Waste Bins	2
Suggested for Cabinet (Door) Width	381 mm (15 in)
Volume	2 x 15L
Waste Type	Undersink
Width	11-3/4 in

Product Description

Short height waste bin excellent for undersink installation. 100% Made in Italy featuring Salice soft-close slides. Bottom-mounted for easy and quick installation. European design and craftsmanship.

Product Advantages

- Runs on Salice Futura shelf slide that mount to the bottom
- Basic lids included (without carbon filter)
- Soft-close included
- For hinged door only
- Load capacity: 30kg (66lbs)



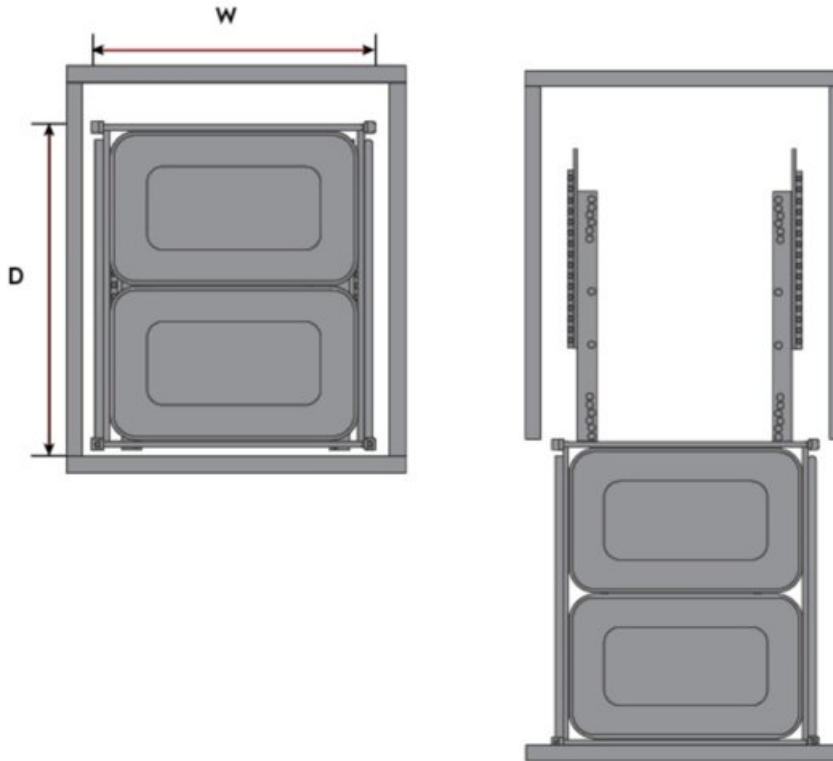
Technical Documents

Planning

Minimum Interior Cabinet Dimensions mm/inch




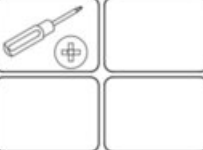
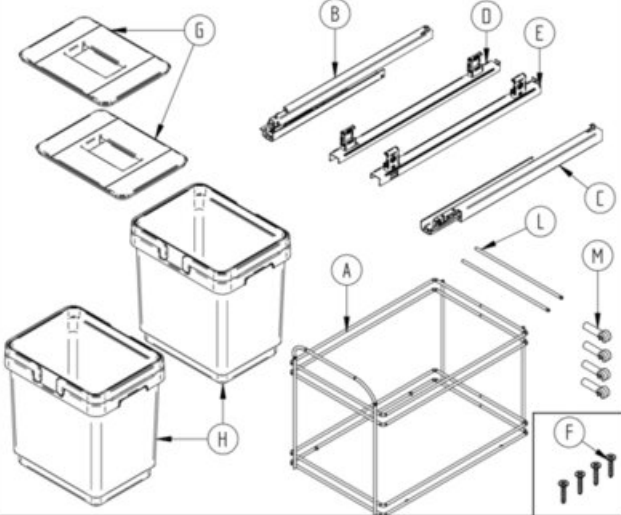








W x H x D 300 x 369 x 500mm (11 ¾ x 14 ½ x 19 ⅝")

Note: Front handle height is 383mm (15 ⅛")



View this product online at <https://marathonhardware.com/pd/041-VSQPETAM332MC>

Technical Documents

	<p>Assembling instructions Istruzioni di montaggio Notice de montage Montageanleitung Manual de montaje</p>				
	<p>Maximum load: Portata massima: Charge maxi: Maximale belastbarkeit: Carga maxima:</p>	<p>30 Kg</p>			
<p>15 min.</p>	<p>1</p>				
		<p>AVANT DE COMMENCER, SE REPORTER AUX CONSEILS DE MONTAGE EN ANNEXE</p> <p>BEFORE STARTING, REFER TO THE ASSEMBLING ADVICE IN ANNEX</p> <p>PRIMA DI COMINCIARE, VEDERE I CONSIGLI DI MONTAGGIO</p> <p>VOR DIE MONTAGE, BITTE BEILIEGENDE ANWEISUNGEN FOLGEN</p> <p>ANTES DE COMENÇAR, ADIARSE AOS CONSELHOS DE MONTAGEM EM ANEXO</p> <p>ANTES DE EMPEZAR CONSULTE LOS CONSEJOS PARA EL MONTAJE</p> <p>PRZED ROZPOCZĘCIEM ZAPOZNAC SIĘ ZAŁĄCZONA INSTRUKCJA MONTAŻU</p>			
 A x 1	 B-C x 1	 D-E x 2	 F x 4	 G x 2	 H x 2
 L x 2	 M x 4				

26/10/2017 cod.4004119260

1/4

View this product online at <https://marathonhardware.com/pd/041-VSQPETAM332MC>

