



Pullout 8in Side-Mounted Anthracite Grey

Part Number: 041-VGSB930-AG

Vibo Galaxy Base Cabinet Pullout, 8in (200mm), Left Side Mounted, Soft-Close, Anthracite Grey

The soft-close Base Cabinet Pullout provides an easy-to-access kitchen storage solution. Available in Anthracite Grey or White / Chrome finish.

| | |
|------------------------------------|--------------------|
| Colour | Anthracite Grey |
| Interior Width Required | 157 mm (6 3/16 in) |
| Mounting Side | Left |
| Suggested for Cabinet (Door) Width | 200 mm (8 in) |

Product Description

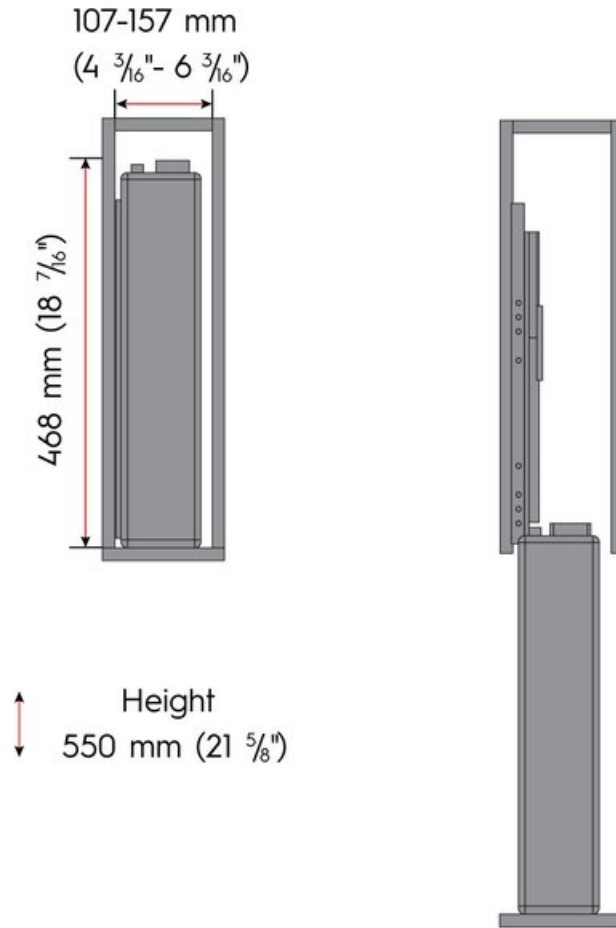
The Base Cabinet Pullout provides an easy-to-access kitchen storage solution. The new White / Chrome finish elevates the level of beauty while not distracting from the other finishes and focal points in the kitchen.

Product Advantages

- Door mount bracket includes 6-way adjustment
- Soft-close
- Left-Side Mount for 150mm (6 in) and 200mm (8 in) cabinets
- Dual-Side Mount for 300mm (12 in), 450mm (18 in), and 600mm (24 in) cabinets
- Spacer kit included for easy installs in Imperial or Metric cabinet widths
- Includes snap-on bottle dividers (for 300mm, 450mm, and 600mm cabinets)
- Anti-slip melamine bottom baskets are TSCA Title VI compliant
- Load capacity: 30kg (66lbs)
- Anthracite Grey or White / Chrome

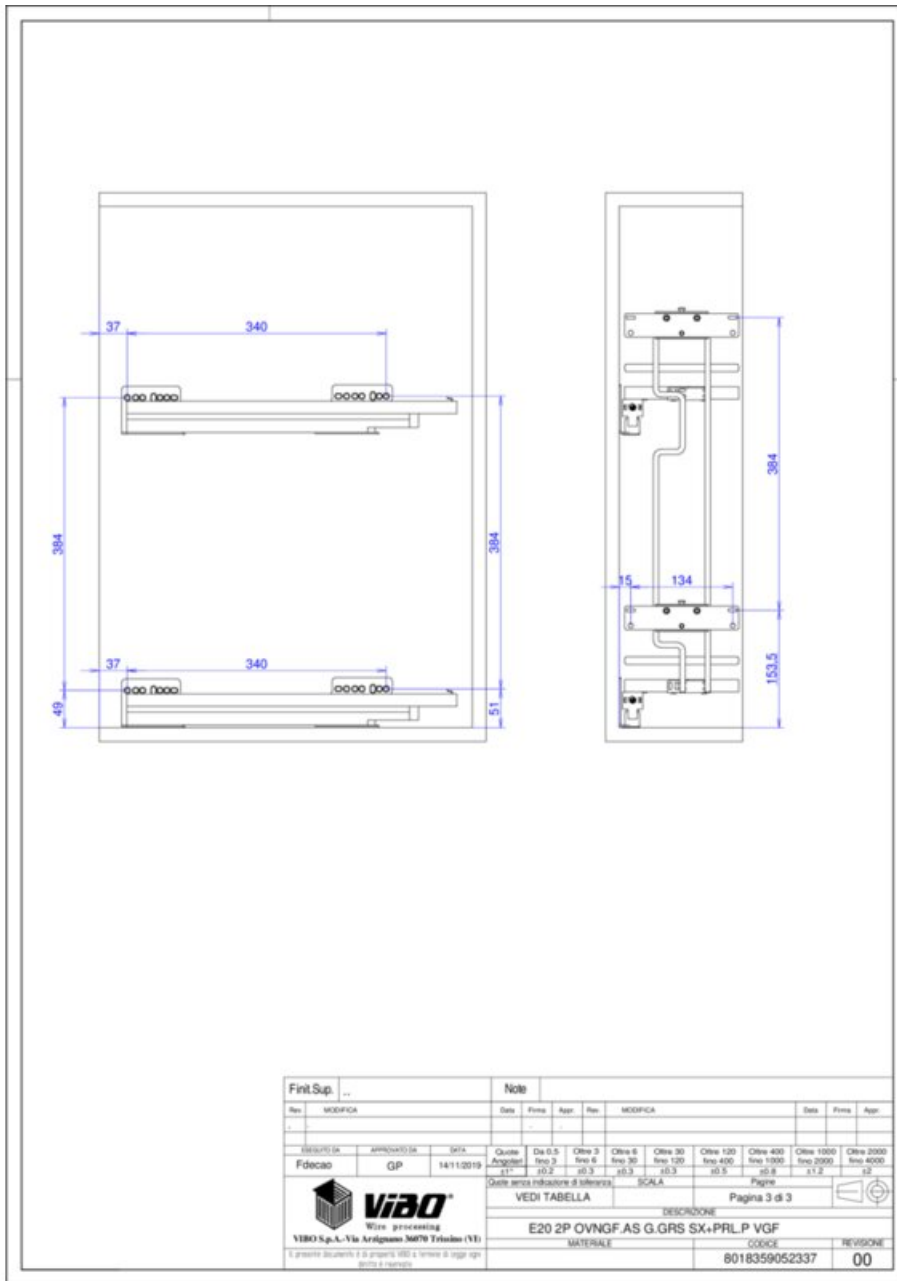


Technical Documents



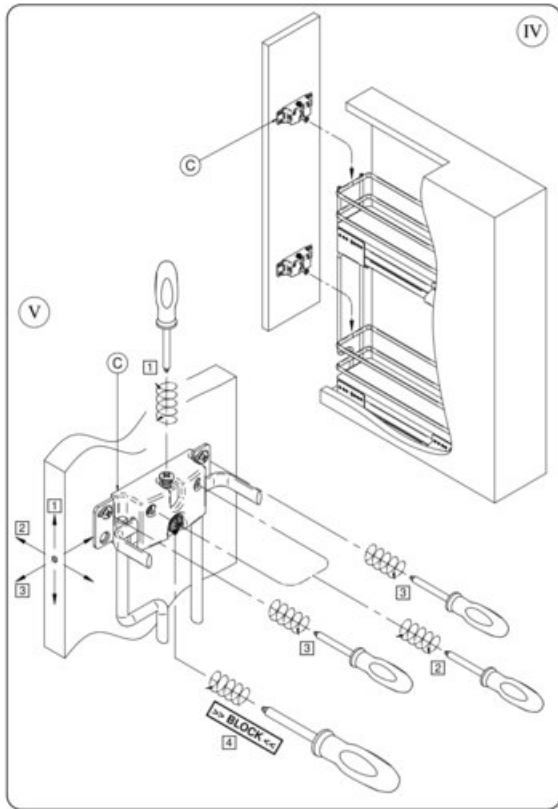
View this product online at <https://marathonhardware.com/pd/041-VGSB930-AG>

Technical Documents




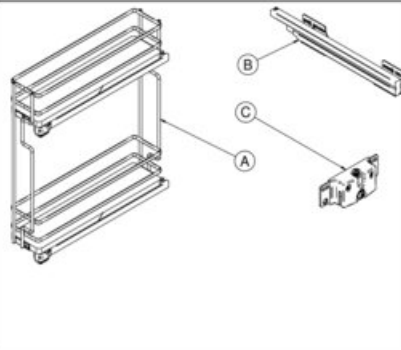
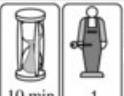

View this product online at <https://marathonhardware.com/pd/041-VGSB930-AG>

Technical Documents



13/02/2017 cod. 4004118880

4/4

| | | |
|---|--|---|
| Istruzioni di montaggio Assembling instructions Notice de montage Montageanleitung Manual de montaje | Portata massima: Maximum load: Charge maxi: Maximale belastbarkeit: Carga maxima: | 30 Kg |
|  | ELQGM(15/20)2.....MB EPQGM(15/20)2.....MB | |
|  | PRIMA DI COMINCIARE, VEDERE I CONSIGLI DI MONTAGGIO BEFORE STARTING, REFER TO THE ASSEMBLING ADVICE IN ANNEX AVANT DE COMMENCER SE REPORTER AUX CONSEILS DE MONTAGE EN ANNEXE VOR DIE MONTAGE, BITTE BEIHELIGENDE ANWEISUNGEN FOLGEN ANTES DE EMPEZAR CONSULTA LOS CONSEJOS PARA EL MONTAJE |  |
|  | | |

13/02/2017 cod. 4004118880

1/4

View this product online at <https://marathonhardware.com/pd/041-VGSB930-AG>

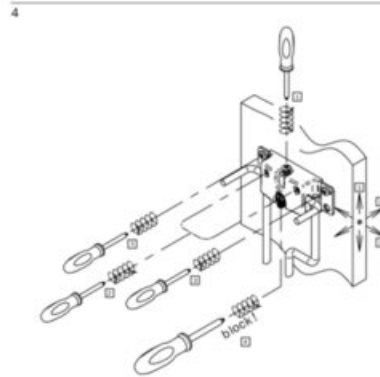
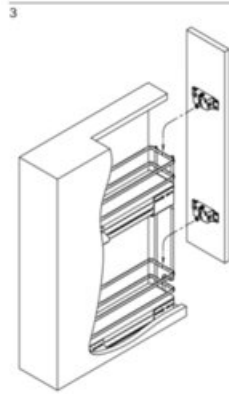
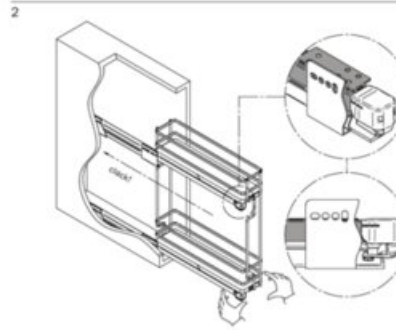
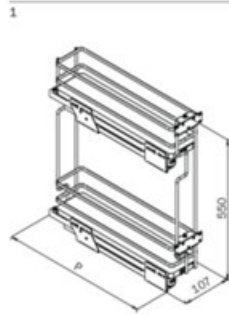


Technical Documents

Side-Mount Pull-out

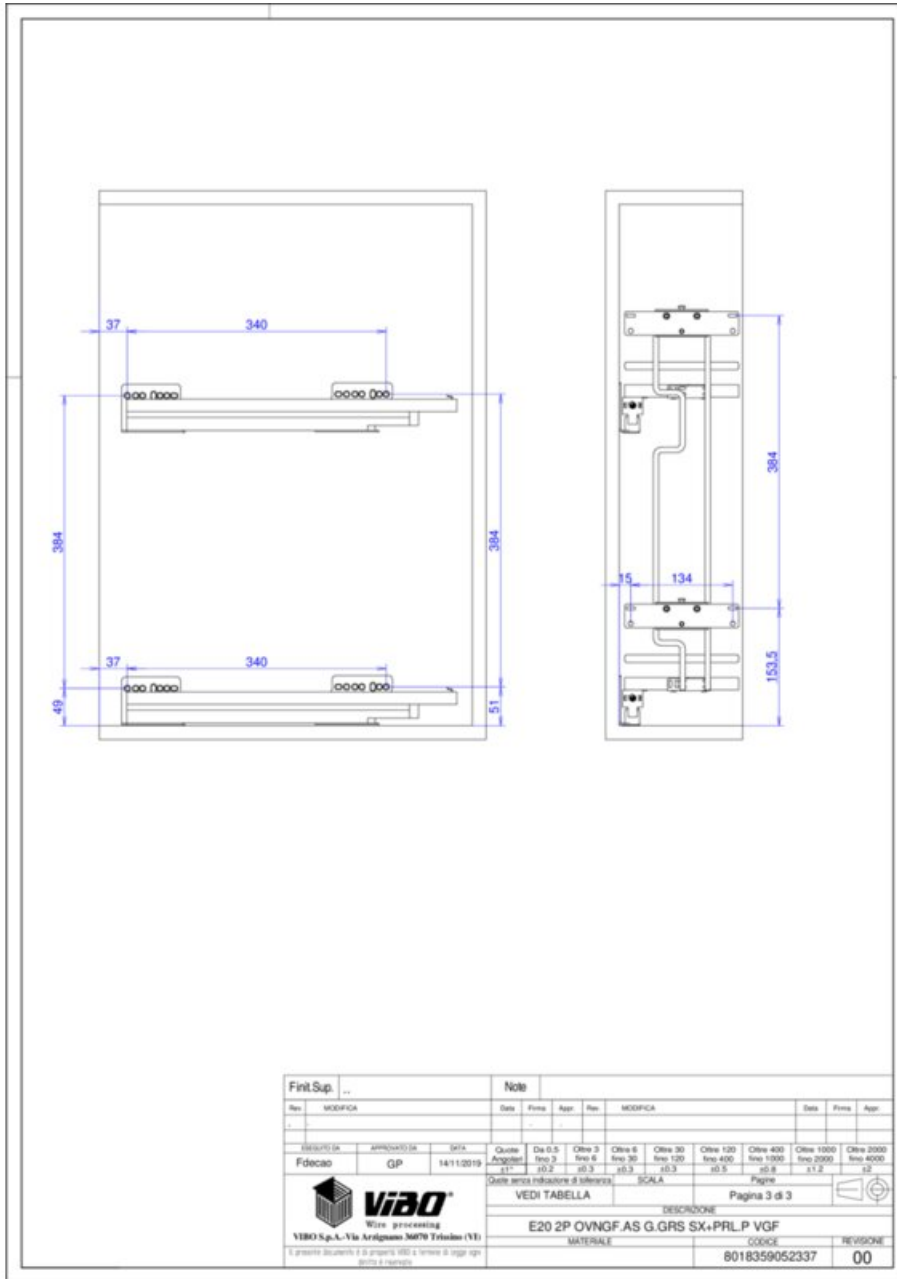
1. Overall dimensions
2. Fast slide installation

3. Fast door installation
4. 6-way door adjustment



View this product online at <https://marathonhardware.com/pd/041-VGSB930-AG>

Technical Documents



View this product online at <https://marathonhardware.com/pd/041-VGSB930-AG>

