



Slim Aluminum Profiles, 3m Matte Black

Part Number: 035-3520-MB

Slim Aluminium Profile 3 metres Matte Black

Aluminum bar profiles to create your vertical shelving supports. Reversible for concave or convex leading profile.

Finish	Matte Black
Length	300 cm
Load Capacity	30 kg

Product Description

Eureka SLIM is a chic, modular shelving system. The aluminum tubing can be cut-to-size and is easily affixed to the floor, ceiling, and walls via the correct attachments in any formation you can imagine.

Add shelves, closet rod holders, and cabinetry to truly make SLIM your own.

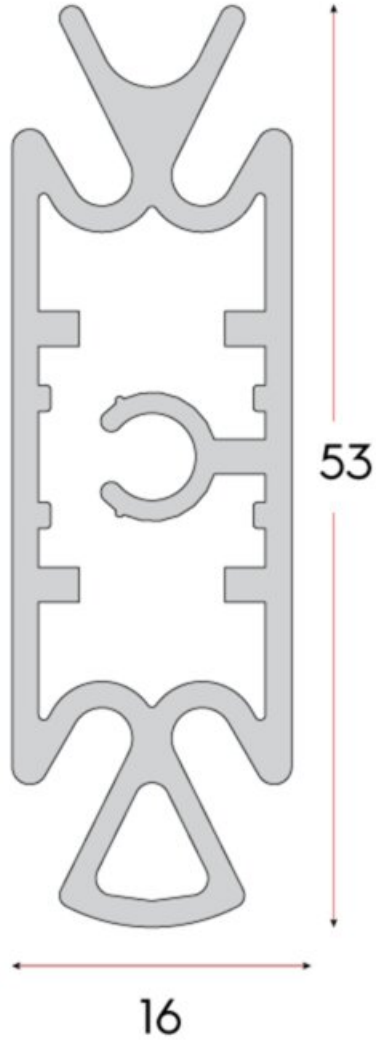
Fully customize shelving in any room of the house and get the most out of your space!

Product Advantages

- Cut-to-size aluminum profile
 - Integrated channels for attaching accessories
 - Load bearing
 - Available in Matte Black or Anodized
-



Technical Documents



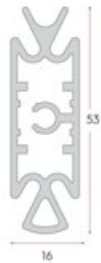
View this product online at <https://marathonhardware.com/pd/035-3520-MB>



Technical Documents

Product Overview

Aluminium Bar Profile



Features:

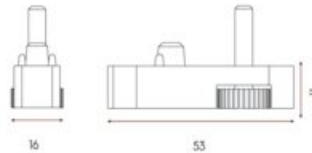
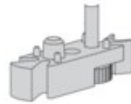
- Dimensions: 16mm (W) x 52.77mm (D) x 3000mm (L)
- Two Finishes: Aluminium Anodized and Matte Black
- Reversible Profile with two front facing options: concave or convex
- Profile provides high load capacity: 30kg (66 lbs) when pair of brackets are fitted to both right and left sides
- Easy to cut to length with only straight cuts required
- Accessories can be fixed to channel edge with 3mm allen key hex screw



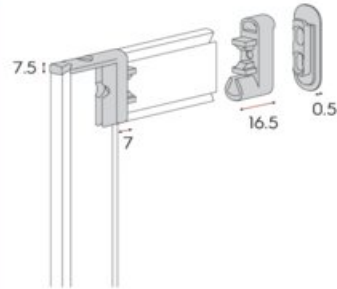
Adjustable Leveling Leg

Features:

- Comes with x 1 foot bracket , x 1 self threading screw, & x 1 adjustable leveling leg
- Slides into and connects to base of aluminium profile
- Adds 11mm to height of vertical bar once installed (does not include adjustment height range)
- Leg can be adjusted by max 15mm in length



Wall Connector and Corner Joint Bracket



Features:

- Comes with x 1 corner joint & x 1 wall connection
- Slides and connects to aluminium profile with ease
- Adds 24mm to the length of the horizontal bar once installed
- Adds 7.5mm to the height of the vertical bar once installed
- Profile attaches to wall connector by sliding down onto bracket and locking in place a small set screw

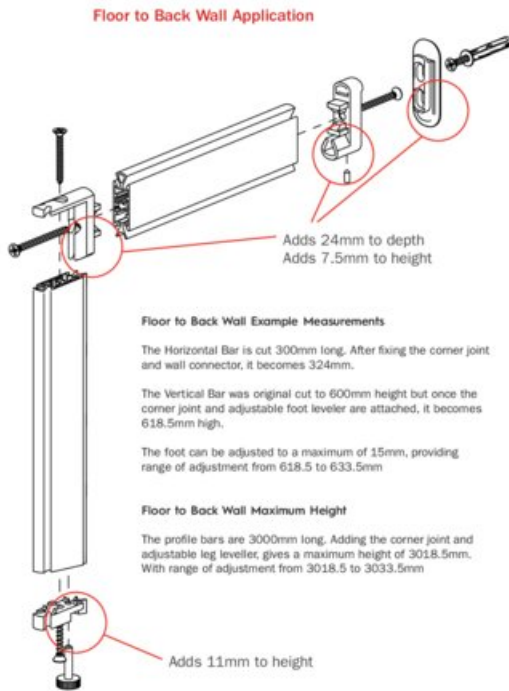
View this product online at <https://marathonhardware.com/pd/035-3520-MB>



Technical Documents

Product Overview

Example of Measurements for Installation of Aluminum Profile Bars



View this product online at <https://marathonhardware.com/pd/035-3520-MB>



View this product online at <https://marathonhardware.com/pd/035-3520-MB>

