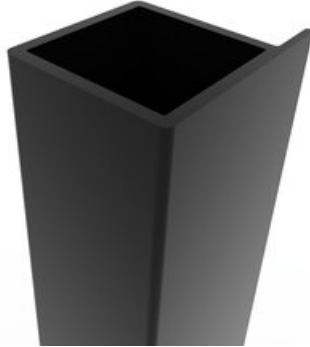


## Float Aluminum Bar 2.8m Shelf Edge Matte Black



**Part Number: 086-2AUSI-MB**

Float Aluminum Bar with Shelf Holder 2.8m Matte Black

The Aluminum Bar with Shelf Holder is used specifically for adding a top and bottom shelves to a FLOAT system.

Finish - .....	Matte Black
Length - .....	280 cm
Material - .....	Aluminum

### Product Description

Eureka FLOAT is a chic, wall mounted modular shelving system that is extremely versatile and customizable. FLOAT can be arranged in virtually any configuration you can imagine via the multitude of available connectors. FLOAT shelving system can be cut-to-size and assembled into countless designs to either “float” on the wall, or integrate into new or existing cabinetry.

### Product Advantages

- Cut-to-size aluminum bar
- Cut Length: Outside Length - 42mm
- 2800mm length
- Integrated lip for resting glass, wood, or melamine shelf panels
- Use Mounting Template to drill holes for corner connectors

### Important Information

Float Bar Profiles are designed to fit 18mm thick shelves flush, so use spacer bracket kits for boards of 8 to 16mm thicknesses. It is possible to mount 19mm (3/4") shelves, we recommend edgebanding your panel as it will sit proud 1mm. For 18mm or less shelves, edgebanding is optional as the shelf sits hidden behind the aluminum profile.

#### Shelf Cut Dimensions

Wood Shelf:

- Length minus 42mm
- Depth minus 42mm

Glass Shelf:

- Length minus 42mm
- Depth minus 45mm

---

# Product Application

## Shelf Dimensions

Wood Shelf:

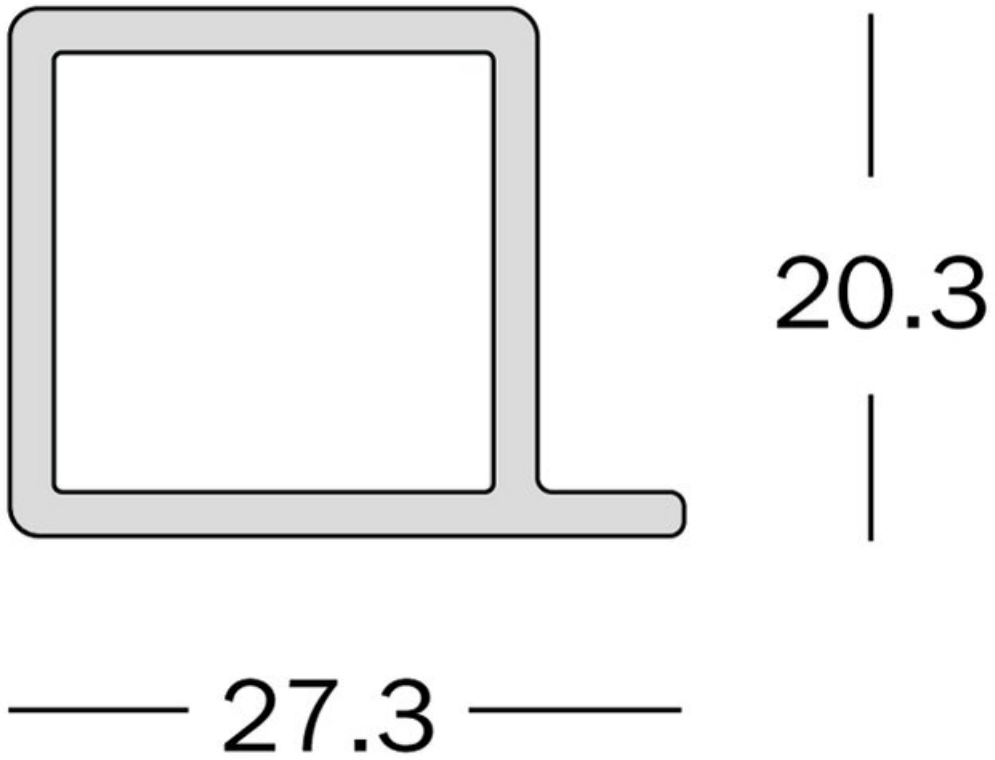
- Length minus 42mm
- Depth minus 42mm

Glass Shelf:

- Length minus 42mm
  - Depth minus 45mm
-



Technical Documents

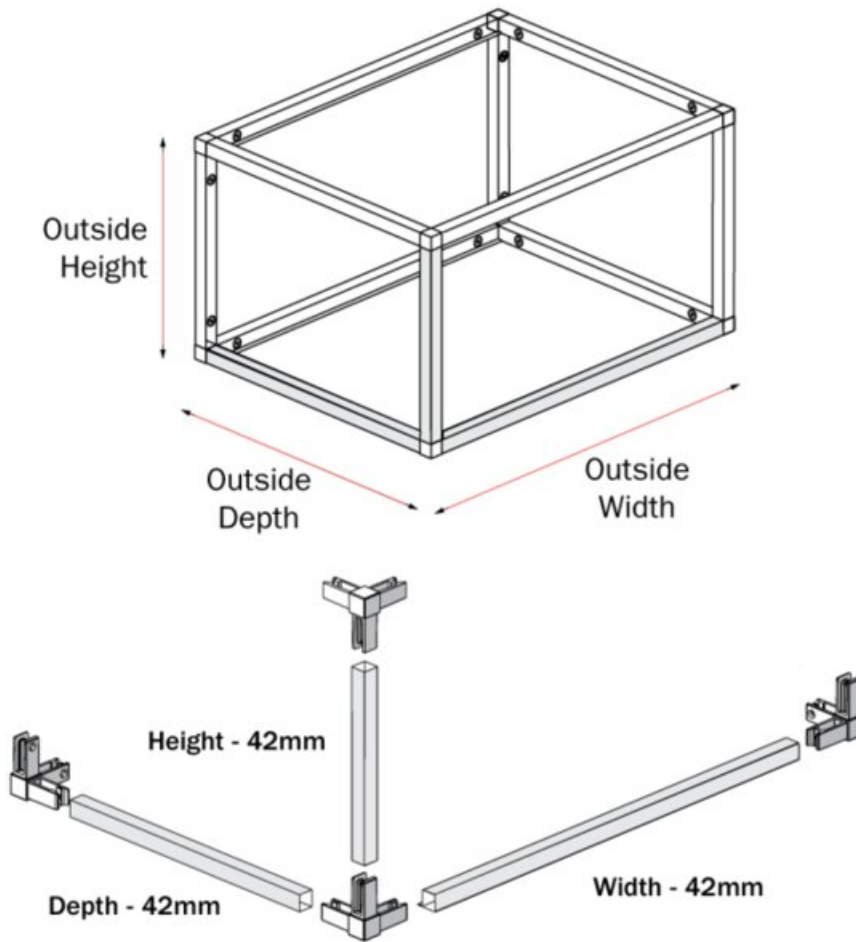


View this product online at <https://marathonhardware.com/pd/086-2AUSI-MB>



## Technical Documents

**Cut Size: Desired/Measured Outside Length - 42mm.**  
This accounts for the corner joint connector size and works for all height, width and depth measurements.



View this product online at <https://marathonhardware.com/pd/086-2AUSI-MB>



## Technical Documents

### Technical Specifications

Eureka FLOAT Aluminum Profile Bar	
Item Description	Part#
2800mm Mitre Block	086-1AUSI-MB

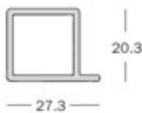
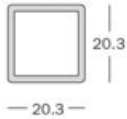
Material: Aluminum  
Dimensions: 2800 x 20.3 x 20.3 mm

Eureka FLOAT Aluminum Profile Bar with Shelf Holder	
Item Description	Part#
2800mm Mitre Block	086-2AUSI-MB

Material: Aluminum  
Dimensions: 2800 x 27.3 x 20.3 mm

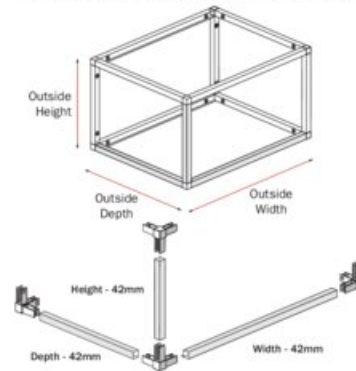
- Cut to size using a straight cut on a chop or mitre saw
- Use drilling template jig to mark and drill holes
- Drill 3mm pilot, 7mm screw hole, and then countersink
- Assemble using various connectors
- Fix to wall using mounting clips (086-F1FXE-MB)

### Dimensions



### Bar Cutting Length

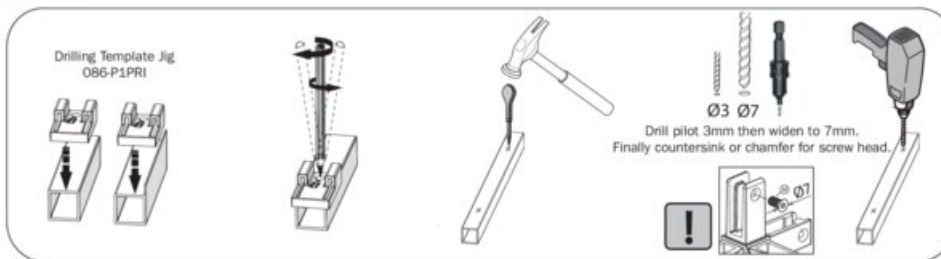
**Cut Size: Desired/Measured Outside Length - 42mm.**  
This general formula accounts for the corner joint connector size and provides some installation tolerance. This works for a basic cube in terms of height, width and depth measurements. For more complex structures, see technical specification for examples.



### Important Information\*

Profile bar with shelf holder (086-2AUSI-MB) fits 18mm boards flush. With the use of the wood spacer kit (086-K2PXE-MB) you can adapt to other material thicknesses.

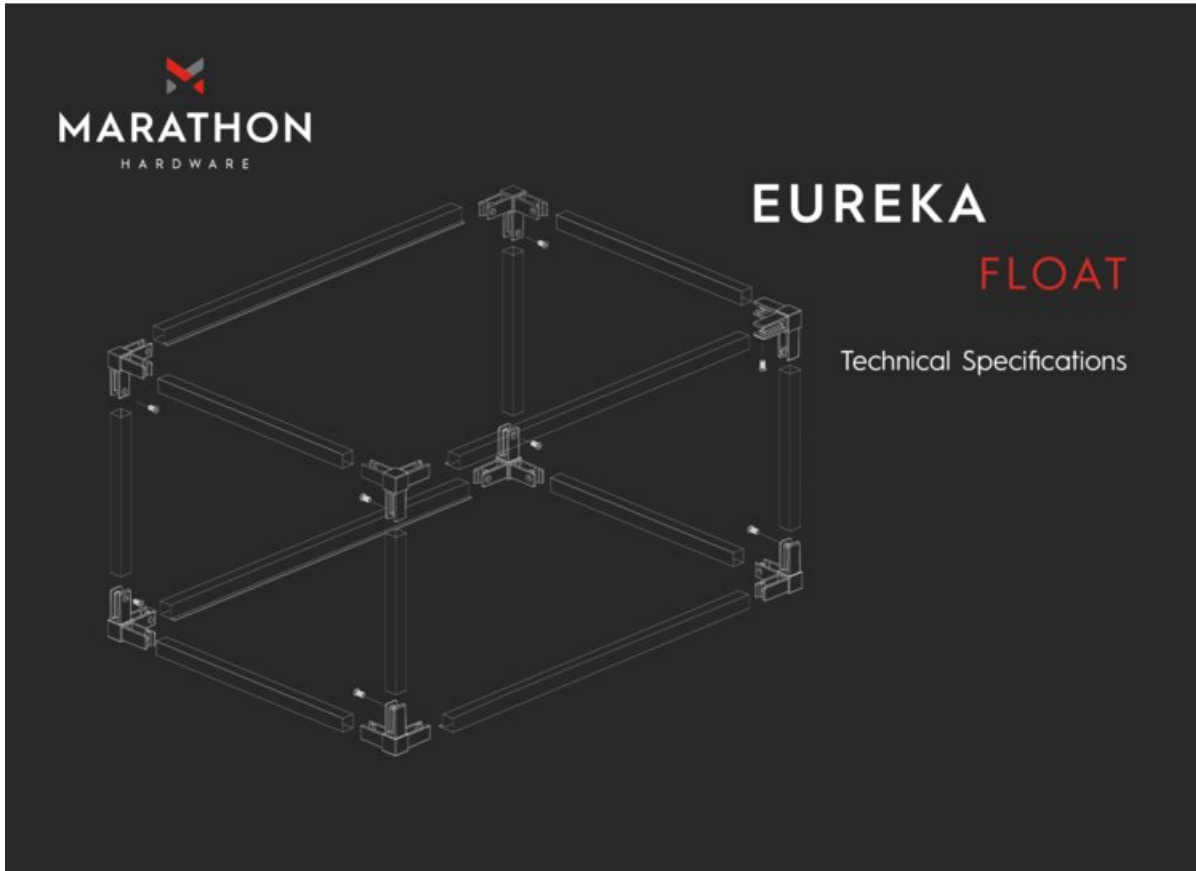
### Profile Drilling



View this product online at <https://marathonhardware.com/pd/086-2AUSI-MB>



## Technical Documents



View this product online at <https://marathonhardware.com/pd/086-2AUSI-MB>



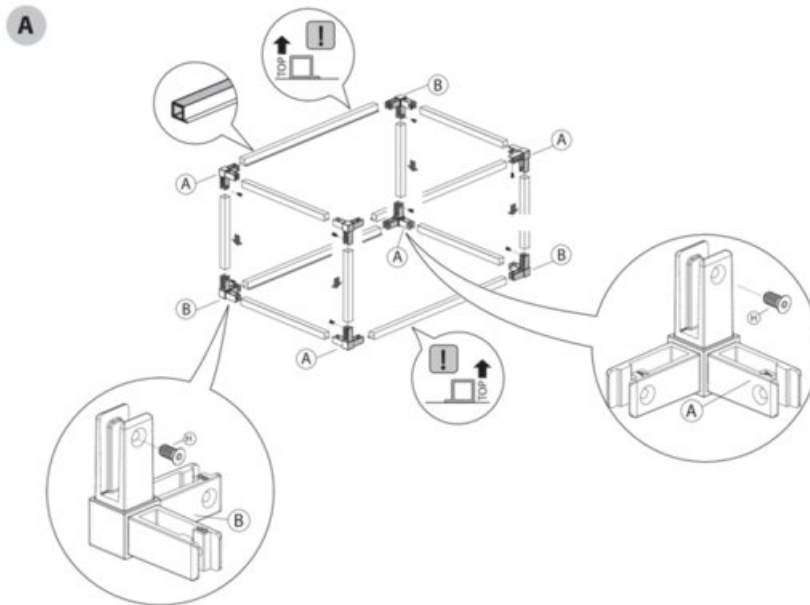
## Technical Documents



# FLOAT



### INSTRUCTIONS



View this product online at <https://marathonhardware.com/pd/086-2AUSI-MB>

