



Float 5 Way Corner Universal Matte Black

Part Number: 086-Z5ZXE-MB

Float 5 Way Connector Matte Black

Five way connector for stacked middle section connections. Screws included.

Finish	Matte Black
Order	Universal

Product Description

FLOAT corner connectors allow you to build and configure this shelving system into anything you can imagine. Use the FLOAT Mounting Template to ensure that screw holes are drilled correctly into your FLOAT bar profiles. Once cut and drilled, you just screw together to create your shelf.

Important Information

Float Bar Profiles are designed to fit 18mm thick shelves flush, so use spacer bracket kits for boards of 8 to 16mm thicknesses. It is possible to mount 19mm (3/4") shelves, we recommend edgebanding your panel as it will sit proud 1mm. For 18mm or less shelves, edgebanding is optional as the shelf sits hidden behind the aluminum profile.

Shelf Cut Dimensions

Wood Shelf:

- Length minus 42mm
- Depth minus 42mm

Glass Shelf:

- Length minus 42mm
- Depth minus 45mm

Product Application

Shelf Dimensions

Wood Shelf:

- Length minus 42mm
- Depth minus 42mm

Glass Shelf:

- Length minus 42mm
 - Depth minus 45mm
-



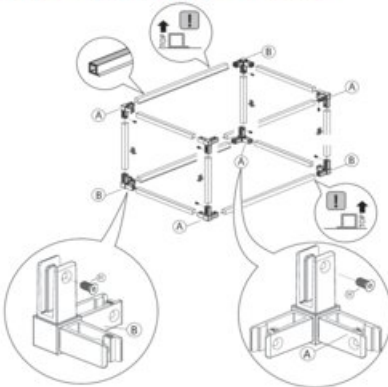
Technical Documents

Eureka FLOAT Corner Connectors	
Item Description	Part#
5 Way Corner A Side, Matte Black	086-Z1ZXE-MB
3 Way Corner B Side, Matte Black	086-Z2ZXE-MB
4 Way Corner C Side, Matte Black	086-Z3ZXE-MB
4 Way Corner D Side, Matte Black	086-Z4ZXE-MB
5 Way Corner Matte Black	086-Z5ZXE-MB
Extra Screws for Connectors, Matte Black	DFE-AM000-MB
Allen Key/Hex T-Handle Tool, 3mm	MAR-THEX-3MM

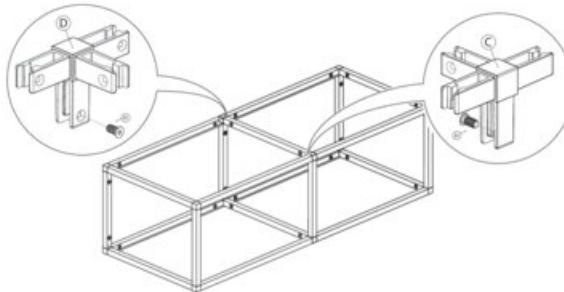


- Corners are not directionally specific. Use 1 of each type (A/B or C/D) at each ends of bar that connects in between. See assembly examples below and at right for further direction.
- Screws are included with Corner Connectors. Extras intended for spares.

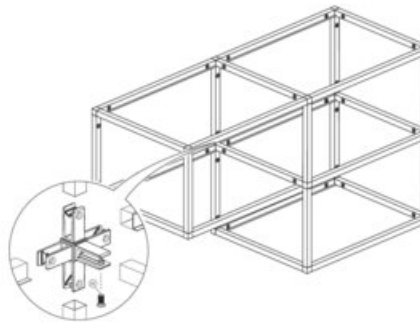
Basic Assembly with 3-Way Corner Connectors



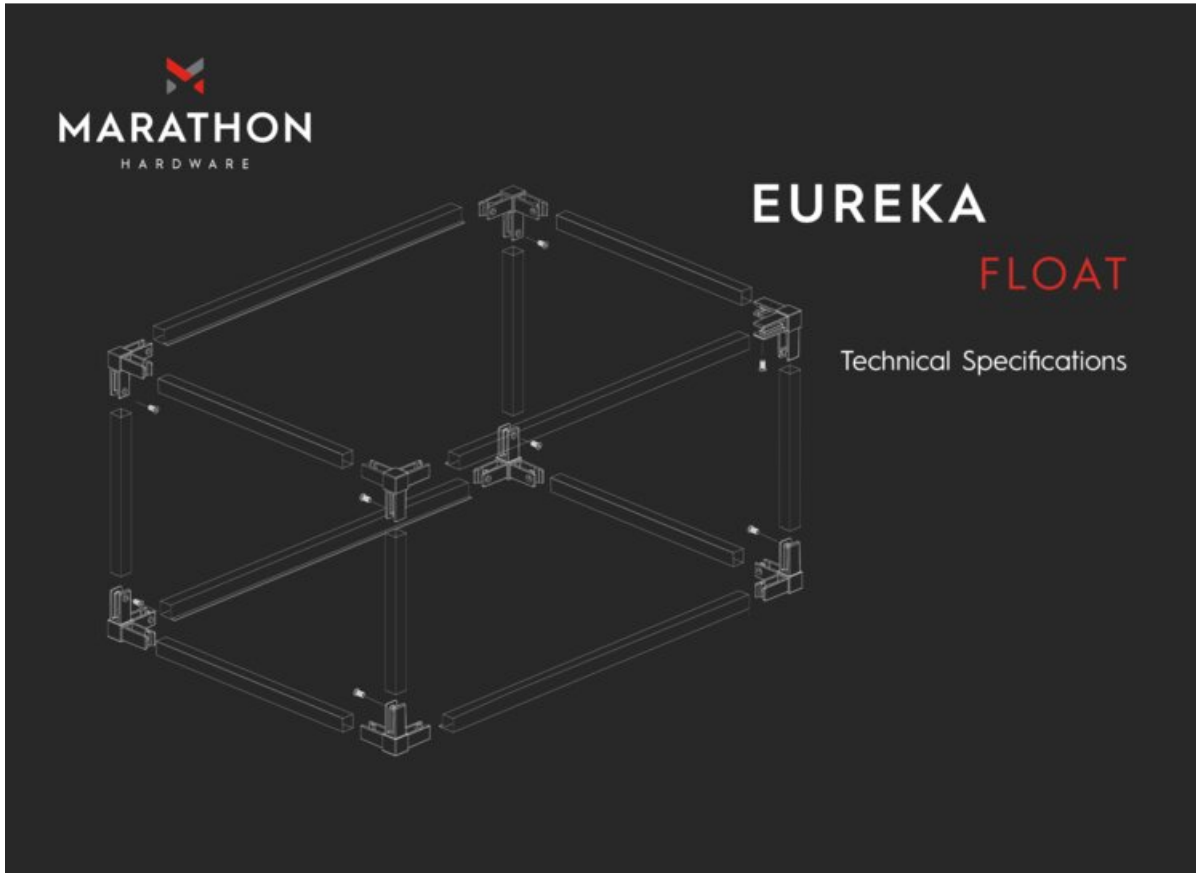
Advanced Assembly with 4-Way Corner Connectors



Advanced Assembly with 5-Way Corner Connectors



View this product online at <https://marathonhardware.com/pd/086-Z5ZXE-MB>



View this product online at <https://marathonhardware.com/pd/086-Z5ZXE-MB>



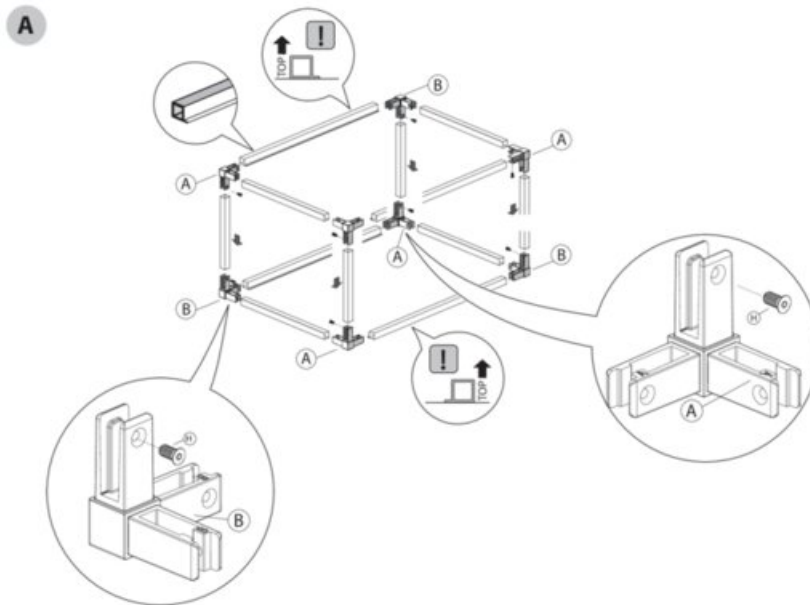
Technical Documents



FLOAT



INSTRUCTIONS



View this product online at <https://marathonhardware.com/pd/086-Z5ZXE-MB>

