



Float 4 Way Corner C Matte Black

Part Number: 086-Z3ZXE-MB

Four way corner connector for creating stacked corners. Screws included.

Finish	Matte Black
Mounting Side	C

Product Description

FLOAT corner connectors allow you to build and configure this shelving system into anything you can imagine. Use the FLOAT Mounting Template to ensure that screw holes are drilled correctly into your FLOAT bar profiles. Once cut and drilled, you just screw together to create your shelf.

Important Information

4-Way Corners Connectors are described as Side-C and Side-D. Use one of each opposite side at the end of each straight bar between two corner joints. When ordering, divide your total count of 4-way corner joints in half to get your C and D order quantity. See technical specifications for assembly examples as you are planning your project.

Product Application

Shelf Dimensions

Wood Shelf:

- Length minus 42mm
- Depth minus 42mm

Glass Shelf:

- Length minus 42mm
- Depth minus 45mm



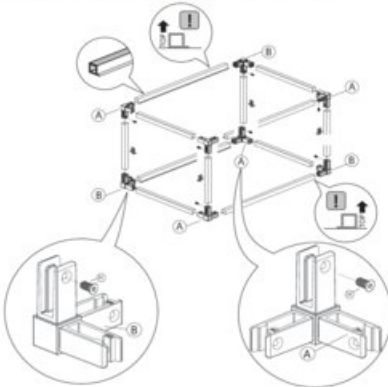
Technical Documents

Eureka FLOAT Corner Connectors	
Item Description	Part#
5 Way Corner A Side, Matte Black	086-Z3ZXE-MB
3 Way Corner B Side, Matte Black	086-Z2ZXE-MB
4 Way Corner C Side, Matte Black	086-Z3ZXE-MB
4 Way Corner D Side, Matte Black	086-Z4ZXE-MB
5 Way Corner Matte Black	086-Z5ZXE-MB
Extra Screws for Connectors, Matte Black	DFE-AMXXX-MB
Allen Key/Hex T-Handle Tool, 3mm	MAR-THEX-3MM

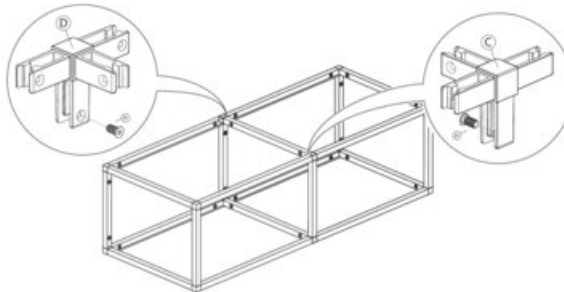


- Corners are not directionally specific. Use 1 of each type (A/B or C/D) at each ends of bar that connects in between. See assembly examples below and at right for further direction.
- Screws are included with Corner Connectors. Extras intended for spares.

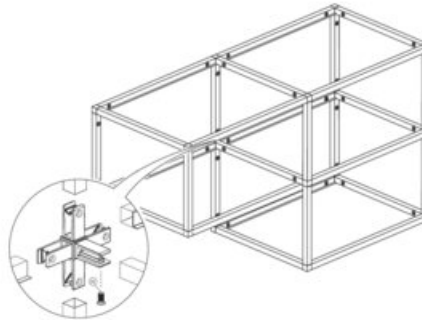
Basic Assembly with 3-Way Corner Connectors



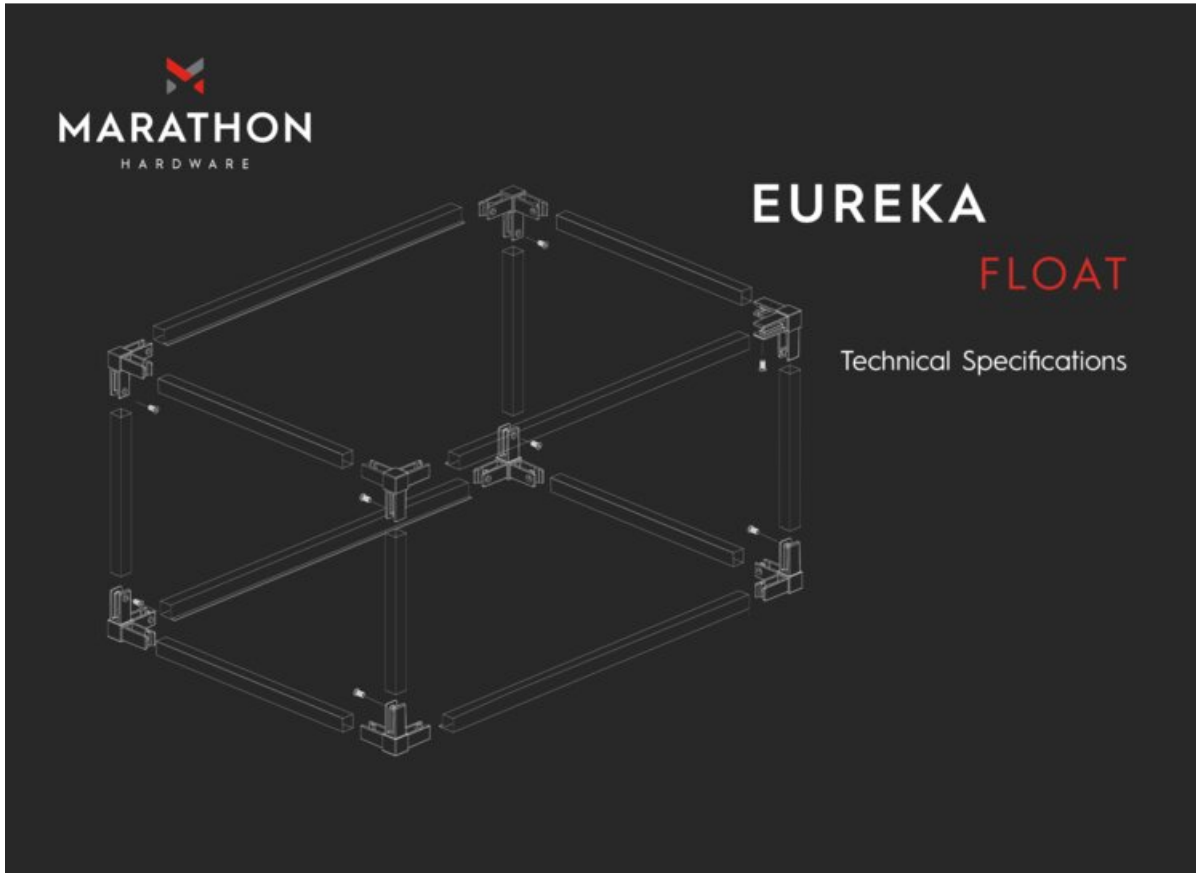
Advanced Assembly with 4-Way Corner Connectors



Advanced Assembly with 5-Way Corner Connectors



View this product online at <https://marathonhardware.com/pd/086-Z3ZXE-MB>



View this product online at <https://marathonhardware.com/pd/086-Z3ZXE-MB>



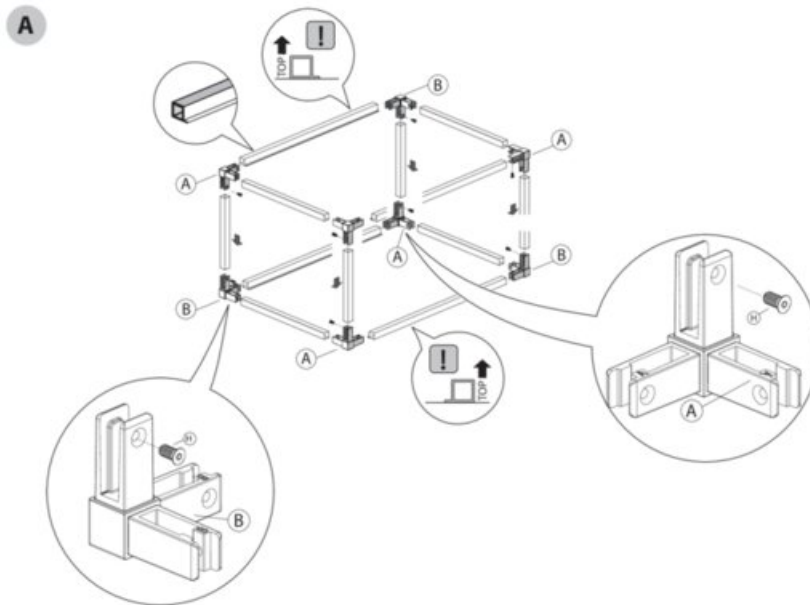
Technical Documents



FLOAT



INSTRUCTIONS



View this product online at <https://marathonhardware.com/pd/086-Z3ZXE-MB>

