



3M™ Half Facepiece Reusable Respirator, 6000, Small

Part Number: 3M-6100

3M™ Half Facepiece Reusable Respirator 6000 Series, Small

Half facepiece reusable respirator, 6000 series, for small face sizes (6100), suitable for many environments and applications providing reliable and convenient protection

<div>
</div>

Connection Type	-----	Bayonet
Facepiece Type	-----	Half facepiece reusable
Harness Type	-----	4 point
Primary Material	-----	Thermoplastic Elastomer (TPE)
Product Type	-----	Half facepiece
Size	-----	Small

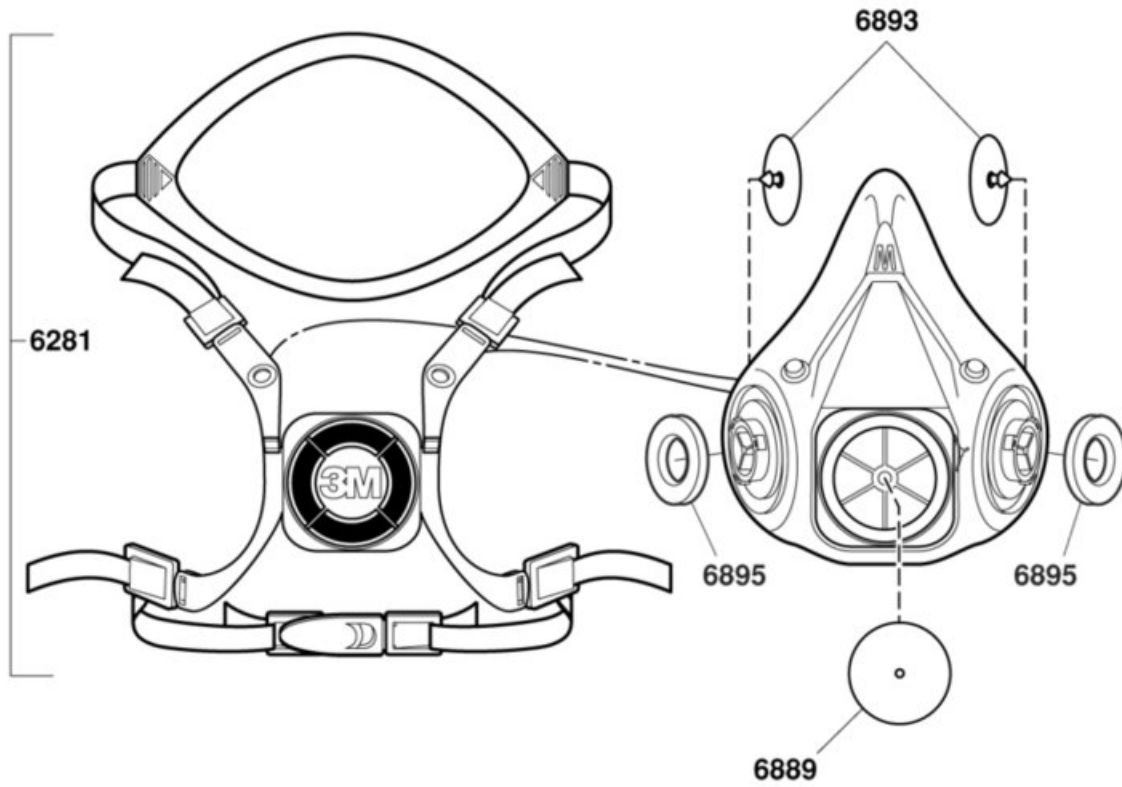
Product Description

This half facepiece reusable respirator offers reliable and convenient respiratory protection and is suitable for many situations, helping provide protection against particulates and a wide variety of gases and vapors according to NIOSH approvals. When properly fitted and used with approved 3M™ Cartridges and Filters, helps provide respiratory protection from a variety of gases, vapors and particulate hazards at concentrations up to 10 times the Permissible Exposure Limit (PEL). Not for use in environments that are immediately dangerous to life or health (IDLH).

Product Advantages

- Compatible with a range of 3M™ Filters and Cartridges
- Among the lightest respirators available
- Swept back design of the cartridges helps improve balance and visibility
- Remarkably comfortable, soft, lightweight facepiece with easy-to-adjust head straps
- Reusable — just dispose of the cartridges/filters when used to capacity
- Can be disassembled, cleaned and reused many times

Technical Documents



View this product online at <https://marathonhardware.com/pd/3M-6100>



Technical Documents



4100
page 1 of 3

Half Facepiece Respirator 6000 Series, Reusable

Issue Date 7/1/09

Unmatched performance and comfort.

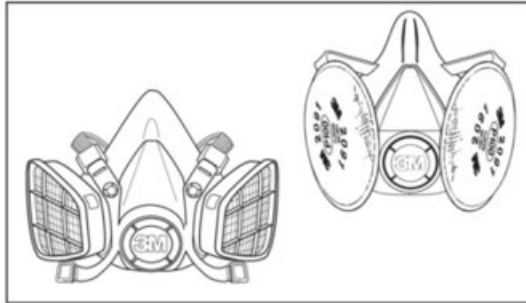
3M™ Half Facepiece Respirator 6000 Series, Reusable offers the user comfort and convenience coupled with the cost savings of a reusable respirator.

Features/Benefits

- Used with 3M™ Filters and Cartridges, these respirators are among the lightest available
- The swept back design of the cartridges helps improve balance and visibility
- Remarkably comfortable, soft, lightweight facepiece and easy-to-adjust head straps
- Reusable—just dispose of the cartridges/filters when used to capacity
- Can be disassembled, cleaned and reused
- NIOSH approved for negative pressure air purifying and supplied air dual airline applications
- Supplied with reclosable storage bag
- The half facepieces are available in 3 sizes (small, medium, large) to comfortably fit many faces

The 6000 Series respirators can be used in dual airline mode:

- Available with both back-mounted and front-mounted breathing tubes



The 3M™ Half Facepiece Respirator 6000 Series, Reusable with replaceable cartridges/filters

- Systems can be used in combination with NIOSH approved 3M™ 2000 or 2200 Series Filters or 6000 Series Cartridges and P100 Filter/Cartridges
- Cartridge/filter connections provide negative pressure and supplied air capability in one respirator assembly
- Can be used on both high and low pressure supplied air systems*
- Wearer can disconnect the airline at the air regulating valve and the system is changed to a filters/ cartridges air purifying mode— then back to supplied air system with a simple reconnection of the airline
- Small diameter breathing tubes are simple to work with and easy to clean and decontaminate

WARNING	
	These respirators help protect against certain airborne contaminants. Misuse may result in sickness or death. Before use, the wearer must read and understand User Instructions provided as a part of product packaging. Time use limitations may apply. For proper use, see package instructions, supervisor or call 3M OHS&SD Technical Service in U.S.A., 1-800-243-4630. In Canada, call 1-800-267-4414.
Important	
Before using these respirators, you must determine the following:	
1. The type of contaminant(s) for which the respirator is being selected.	
2. The concentration level of contaminant(s).	
3. Whether the respirator can be properly fitted on the wearer's face. All respirator instructions, warnings and use and time limitations must also be read and understood by the wearer before use.	
Before use of these respirators, a written respiratory protection program must be implemented, meeting all the requirements of OSHA 29 CFR 1910.134, including training, medical evaluation and fit testing.	

* Employer must provide a minimum of Grade D breathing air in accordance with OSHA requirements

View this product online at <https://marathonhardware.com/pd/3M-6100>



Technical Documents

Helping You Wear it Right

Wearing your 3M™ Half Facepiece Reusable Respirator

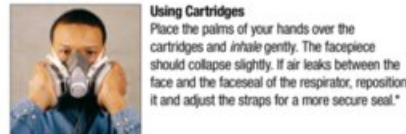
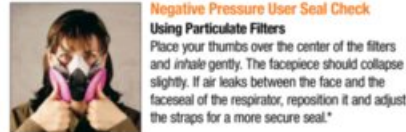
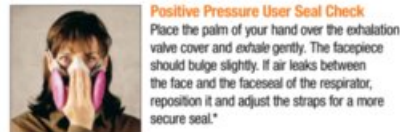
- 1  Place the respirator over your nose and mouth with bottom straps unfastened.
- 2  Pull the top strap over your head, placing the head cradle on the crown of your head.
- 3  Hook the bottom straps together behind your neck.
- 4  Adjust strap tension to achieve a secure fit.



Check the seal of your 3M™ Half Facepiece Reusable Respirator each time you don the respirator

Note: Before assigning any respirator to be worn in a contaminated area, a qualitative or quantitative fit test must be performed per U.S. OSHA standard 29CFR 1910.134 or local requirements.

Note: Perform a positive and/or negative pressure user seal check each time the respirator is donned. If you cannot achieve a proper seal, do not enter contaminated area. See your supervisor.



* If you cannot achieve a proper seal, do not enter contaminated area. See your supervisor.

WARNING

These respirators may require inspection & repair before use. See the user manual and understand the user instructions provided as a part of the product packaging. A written respiratory protection program must be implemented in accordance with 29 CFR 1910.134. For respiratory training, fit testing, and other information, see OSHA 3090. OSHA standard 29CFR 1910.134 requires that fit testing be performed on the appropriate conditions. Do not use these respirators if you are unable to pass the fit test. For more information, see the user manual, or contact 3M at 1-800-368-3577 or 3M.com/PPESafety.

General Offices
3M Center
St. Paul, MN 55144-1000

For More Information
In U.S.
Technical Assistance: 1-800-243-4630
Customer Service: 1-800-328-1667
3M.com/PPESafety

In Canada
Technical Assistance: 1-800-267-4414
Customer Service: 1-800-364-3577
3M.CA/Safety

Please recycle. Printed in U.S.A.
© 3M 2011. All rights reserved.
70-0702-2048-1



View this product online at <https://marathonhardware.com/pd/3M-6100>

Technical Documents

MATERIAL SAFETY DATA SHEET 6000 SERIES HALF MASK RESPIRATORS 10/15/12



Material Safety Data Sheet

Copyright, 2012, 3M Company All rights reserved. Copying and/or downloading of this information for the purpose of properly utilizing 3M products is allowed provided that: (1) the information is copied in full with no changes unless prior written agreement is obtained from 3M, and (2) neither the copy nor the original is resold or otherwise distributed with the intention of earning a profit thereon.

This material safety data sheet (MSDS) is provided as a courtesy in response to a customer request. This product is not regulated under, and a MSDS is not required for this product by the OSHA Hazard Communication Standard (29 CFR 1910.1200) because, when used as recommended or under ordinary conditions, it should not present a health and safety hazard. However, use or processing of the product not in accordance with the product's recommendations or not under ordinary conditions may affect the performance of the product and may present potential health and safety hazards.

SECTION 1: PRODUCT AND COMPANY IDENTIFICATION

PRODUCT NAME: 6000 SERIES HALF MASK RESPIRATORS
MANUFACTURER: 3M
DIVISION: Occupational Health & Environ. Safety
ADDRESS: 3M Center, St. Paul, MN 55144-1000

EMERGENCY PHONE: 1-800-364-3577 or (651) 737-6501 (24 hours)

Issue Date: 10/15/12
Supersedes Date: 10/15/12

Document Group: 07-4066-2

Product Use:
 Intended Use: Respiratory Protection

SECTION 2: INGREDIENTS

<u>Ingredient</u>	<u>C.A.S. No.</u>	<u>% by Wt</u>
POLYPROPYLENE	Unknown	40 - 70
THERMOPLASTIC ELASTOMER	Unknown	30 - 60
POLYETHYLENE	Unknown	10 - 30
POLYESTER BRAIDED BANDS, SYNTHETIC POLYISOPRENE CORES	Unknown	5 - 10
SYNTHETIC POLYISOPRENE INHALATION VALVE	Unknown	1 - 5
SILICONE (ORANGE BAYONET GASKET AND BLUE EXHALATION VALVE)	Unknown	1 - 5

SECTION 3: HAZARDS IDENTIFICATION

3.1 EMERGENCY OVERVIEW



3M Half Facepiece Respirator 6000 Series

*User Instructions for 3M™ 6100 (Small), 07024 (Small), 6200 (Medium), 07025 (Medium), 6300 (Large), 07026 (Large) Half Facepieces**

Important: Keep these *User Instructions* for reference.

* 07024, 07025, 07026 are catalog numbers only. NIOSH approved 3M™ 6100 (Small), 6200 (Medium), 6300 (Large) Half Facepieces.



Technical Documents

3M

4058
page 1 of 1

Technical Data Bulletin

#150, September, 2001 — Reusable Respirators

Inspection, Cleaning and Storage Procedures for 3M Reusable Respirators

Inspection

3M™ 6000 and 7000 Series Respirators must be inspected before each use to ensure good operating condition. The facepiece must be repaired or replaced if there are damaged or defective parts. The following inspection procedure is suggested:

1. Check facepiece for cracks, tears and dirt. Be certain facepiece, especially face seal area, is not distorted.
2. Examine inhalation valves for signs of distortion, cracking or tearing.
3. Make sure that head straps are intact and have good elasticity.
4. Examine all plastic parts for signs of cracking or fatiguing. Make sure filter gaskets or seal areas are in good condition.
5. Remove exhalation valve cover and examine exhalation valve and valve seat for signs of dirt, distortion, cracking or tearing. Replace exhalation valve cover.
6. Inspect lens of full facepiece for any damage that may impair respirator performance or vision.

Cleaning and Storage

Cleaning is recommended after each use. 3M™ Respirator Cleaning Wipes 504 may be used as an interim method in the cleaning

schedule for individually assigned respirators, but they must not be the only method in place. During fit-testing, wipes may also be used between employees being tested. However, these respirators must be thoroughly cleaned at the end of each day, using procedures in appendix B-2 of 29 CFR 1910.134.

⚠ WARNING

Do not clean with solvents. Cleaning with solvents may degrade some respirator components and reduce respirator effectiveness. Inspect all respirator components before each use to ensure good operating condition. Failure to do so may result in sickness or death.

1. Remove cartridges and filters.
2. Clean facepiece (excluding filters and cartridges) by immersing in warm cleaning solution, water temperature not to exceed 120° F (49° C), and scrub with soft brush until clean. Add neutral detergent if necessary. Do not use cleaners containing lanolin or other oils.
3. Disinfect facepiece by soaking in a solution of quaternary ammonia disinfectant or sodium hypochlorite (1 oz [30 ML] household bleach in 2 gallons [7.5 L] of water), or other disinfectant.
4. Rinse in fresh, warm water and air dry in noncontaminated atmosphere.

Issue Date 11/01/01

5. Respirator components must be inspected prior to each use. A respirator with any damaged or deteriorated components must be repaired or discarded.

6. The cleaned respirator should be stored away from contaminated areas when not in use.

NOTE: The above information is also outlined in the users instructions. Additionally, see specific product user instructions packaged with each respirator facepiece for additional information.

For more information:

In the U.S., contact:

Technical Assistance
1-800-243-4630

Sales Assistance/Local Distributor
1-800-328-1667

Fax On Demand
1-800-646-1655

Internet
www.3m.com/occsafety

E-mail
occsafety@mmm.com

For other 3M products
1-888-3M HELPS

In Canada, contact:

3M Canada Company, OH&ESD
P.O. Box 5757
London, Ontario N6A 4T1

Technical Assistance (Canada only)
1-800-267-4414

Sales Assistance
1-800-265-1840, ext. 6137

Internet
www.3m.com/CA/occsafety

3M Canada E-mail
ohes@ca.mmm.com

Technical Assistance In Mexico
01-800-712-0646

Technical Assistance In Brazil
0800-550705

For all other OUS locations:
1-651-732-6530

3M Occupational Health and Environmental Safety Division
3M Center, Building 235-2W-70
St. Paul, MN 55144-1000

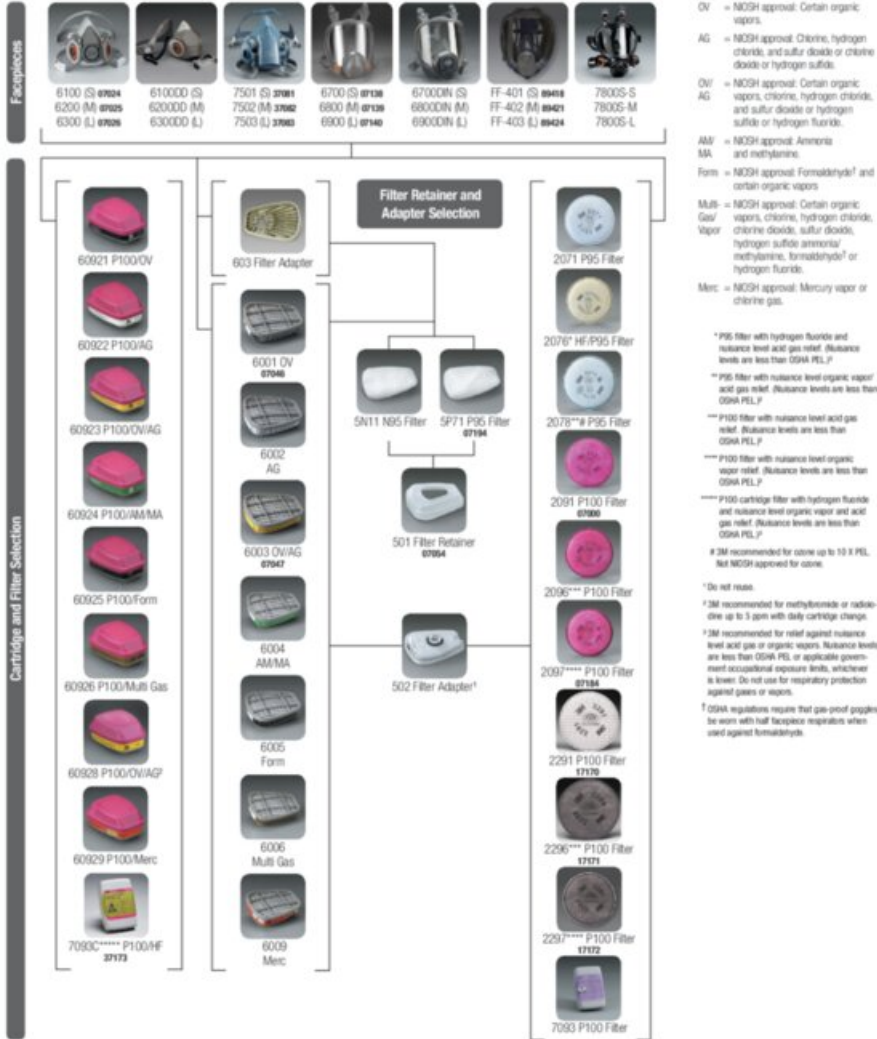
View this product online at <https://marathonhardware.com/pd/3M-6100>



Technical Documents

3M™ Half and Full Facepiece Respirators 6000, 7000 and FF-400 Series – Product Matrix

3M Automotive Aftermarket Division (AAD) Product Numbers are listed in bold on select products. Other AAD packages available.



- OV = NIOSH approval: Certain organic vapors.
- AG = NIOSH approval: Chlorine, hydrogen chloride, and sulfur dioxide or chlorine dioxide or hydrogen sulfide.
- OV/AG = NIOSH approval: Certain organic vapors, chlorine, hydrogen chloride, and sulfur dioxide or hydrogen sulfide or hydrogen fluoride.
- AM/MA = NIOSH approval: Ammonia and methanamine.
- Form = NIOSH approval: Formaldehyde† and certain organic vapors.
- Multi = NIOSH approval: Certain organic vapors, chlorine, hydrogen chloride, vapor, chlorine dioxide, sulfur dioxide, hydrogen sulfide, ammoniacal/methanamine, formaldehyde† or hydrogen fluoride.
- Merc = NIOSH approval: Mercury vapor or chlorine gas.

* P95 filter with hydrogen fluoride and nuisance level acid gas relief. (Nuisance levels are less than OSHA PEL.)[†]

** P95 filter with nuisance level organic vapor/acid gas relief. (Nuisance levels are less than OSHA PEL.)[†]

*** P100 filter with nuisance level acid gas relief. (Nuisance levels are less than OSHA PEL.)[†]

**** P100 filter with nuisance level organic vapor relief. (Nuisance levels are less than OSHA PEL.)[†]

***** P100 cartridge filter with hydrogen fluoride and nuisance level organic vapor and acid gas relief. (Nuisance levels are less than OSHA PEL.)[†]

† OSHA recommended for concentrations up to 10 x PEL. Not NIOSH approved for ozone.

* Do not reuse.

‡ 3M recommended for methylene chloride or radon: one up to 3 ppm with daily cartridge change.

§ 3M recommended for relief against nuisance level acid gas or organic vapors. Nuisance levels are less than OSHA PEL or applicable government occupational exposure limits, whichever is lower. Do not use for respiratory protection against gases or vapors.

¶ OSHA regulations require that gas-proof goggles be worn with half facepiece respirators when used against formaldehyde.

WARNING! For proper use, see user instructions, warnings and limitations accompanying each product.
 © 3M 2011. All rights reserved. 3M is a trademark of 3M Company, used under license in Canada.



View this product online at <https://marathonhardware.com/pd/3M-6100>

Technical Documents

Selection Guide for 3M™ Reusable Respirators

Cartridge Type	Color Code	NIOSH Approved for:	3M™ Half and Full Facepiece Respirators			
			6000 Series	6000 Series	6500 Series	Professional Series 7000 and FF-400 Series
6000 Series						
6500 Series						
Professional Series 7000 and FF-400 Series						
6000 Series						
6500 Series						
Professional Series 7000 and FF-400 Series						
6000 Series						
6500 Series						
Professional Series 7000 and FF-400 Series						

3M™ Respirator Parts and Accessories

- Replacement Parts For 6000 Series Half Facepiece Respirators
- Replacement Parts For 6500 Series Half Facepiece Respirators
- Replacement Parts For 7000 Series Half Facepiece Respirators
- Replacement Parts For 6000 Series One-Shoulder Half Facepiece Respirators
- Replacement Parts For 6500 Series Half Facepiece Respirators
- Replacement Parts For FF-400 Series Full Facepiece Respirators
- Replacement Parts For 6000 Series Half Facepiece Respirators
- Replacement Parts For 6500 Series Half Facepiece Respirators
- Replacement Parts For FF-400 Series Full Facepiece Respirators
- Replacement Parts For 7000 Series Full Facepiece Respirators

For More Information:
800-541-3333
www.3m.com

NIOSH Approved for:
P100
P100 with exhalation valve
P100 with exhalation valve
P100 with exhalation valve
P100 with exhalation valve
P100 with exhalation valve
P100 with exhalation valve

Respirator Accessories:
3M™ 2098
3M™ 2099
3M™ 2100
3M™ 2101
3M™ 2102
3M™ 2103
3M™ 2104
3M™ 2105
3M™ 2106
3M™ 2107
3M™ 2108
3M™ 2109
3M™ 2110
3M™ 2111
3M™ 2112
3M™ 2113
3M™ 2114
3M™ 2115
3M™ 2116
3M™ 2117
3M™ 2118
3M™ 2119
3M™ 2120
3M™ 2121
3M™ 2122
3M™ 2123
3M™ 2124
3M™ 2125
3M™ 2126
3M™ 2127
3M™ 2128
3M™ 2129
3M™ 2130
3M™ 2131
3M™ 2132
3M™ 2133
3M™ 2134
3M™ 2135
3M™ 2136
3M™ 2137
3M™ 2138
3M™ 2139
3M™ 2140
3M™ 2141
3M™ 2142
3M™ 2143
3M™ 2144
3M™ 2145
3M™ 2146
3M™ 2147
3M™ 2148
3M™ 2149
3M™ 2150
3M™ 2151
3M™ 2152
3M™ 2153
3M™ 2154
3M™ 2155
3M™ 2156
3M™ 2157
3M™ 2158
3M™ 2159
3M™ 2160
3M™ 2161
3M™ 2162
3M™ 2163
3M™ 2164
3M™ 2165
3M™ 2166
3M™ 2167
3M™ 2168
3M™ 2169
3M™ 2170
3M™ 2171
3M™ 2172
3M™ 2173
3M™ 2174
3M™ 2175
3M™ 2176
3M™ 2177
3M™ 2178
3M™ 2179
3M™ 2180
3M™ 2181
3M™ 2182
3M™ 2183
3M™ 2184
3M™ 2185
3M™ 2186
3M™ 2187
3M™ 2188
3M™ 2189
3M™ 2190
3M™ 2191
3M™ 2192
3M™ 2193
3M™ 2194
3M™ 2195
3M™ 2196
3M™ 2197
3M™ 2198
3M™ 2199
3M™ 2200
3M™ 2201
3M™ 2202
3M™ 2203
3M™ 2204
3M™ 2205
3M™ 2206
3M™ 2207
3M™ 2208
3M™ 2209
3M™ 2210
3M™ 2211
3M™ 2212
3M™ 2213
3M™ 2214
3M™ 2215
3M™ 2216
3M™ 2217
3M™ 2218
3M™ 2219
3M™ 2220
3M™ 2221
3M™ 2222
3M™ 2223
3M™ 2224
3M™ 2225
3M™ 2226
3M™ 2227
3M™ 2228
3M™ 2229
3M™ 2230
3M™ 2231
3M™ 2232
3M™ 2233
3M™ 2234
3M™ 2235
3M™ 2236
3M™ 2237
3M™ 2238
3M™ 2239
3M™ 2240
3M™ 2241
3M™ 2242
3M™ 2243
3M™ 2244
3M™ 2245
3M™ 2246
3M™ 2247
3M™ 2248
3M™ 2249
3M™ 2250
3M™ 2251
3M™ 2252
3M™ 2253
3M™ 2254
3M™ 2255
3M™ 2256
3M™ 2257
3M™ 2258
3M™ 2259
3M™ 2260
3M™ 2261
3M™ 2262
3M™ 2263
3M™ 2264
3M™ 2265
3M™ 2266
3M™ 2267
3M™ 2268
3M™ 2269
3M™ 2270
3M™ 2271
3M™ 2272
3M™ 2273
3M™ 2274
3M™ 2275
3M™ 2276
3M™ 2277
3M™ 2278
3M™ 2279
3M™ 2280
3M™ 2281
3M™ 2282
3M™ 2283
3M™ 2284
3M™ 2285
3M™ 2286
3M™ 2287
3M™ 2288
3M™ 2289
3M™ 2290
3M™ 2291
3M™ 2292
3M™ 2293
3M™ 2294
3M™ 2295
3M™ 2296
3M™ 2297
3M™ 2298
3M™ 2299
3M™ 2300

View this product online at <https://marathonhardware.com/pd/3M-6100>



Technical Documents



WARNING

This respirator helps protect against certain airborne contaminants. **Misuse may result in sickness or death.** For proper use, see your supervisor, or *User Instructions* or call 3M at 1-800-243-4630. In Canada, call Technical Service at 1-800-267-4414.

View this product online at <https://marathonhardware.com/pd/3M-6100>

