



3M™ Half Facepiece Reusable Respirator, 6000, Medium

Part Number: 3M-6200

3M™ Half Facepiece Reusable Respirator 6000 Series, Medium

Half facepiece reusable respirator, 6000 series, for medium face sizes (6200), suitable for many environments and applications providing reliable and convenient protection

<div>
</div>

Connection Type	-----	Bayonet
Facepiece Type	-----	Half facepiece reusable
Harness Type	-----	4 point
Primary Material	-----	Thermoplastic Elastomer (TPE)
Product Type	-----	Half facepiece
Size	-----	Medium

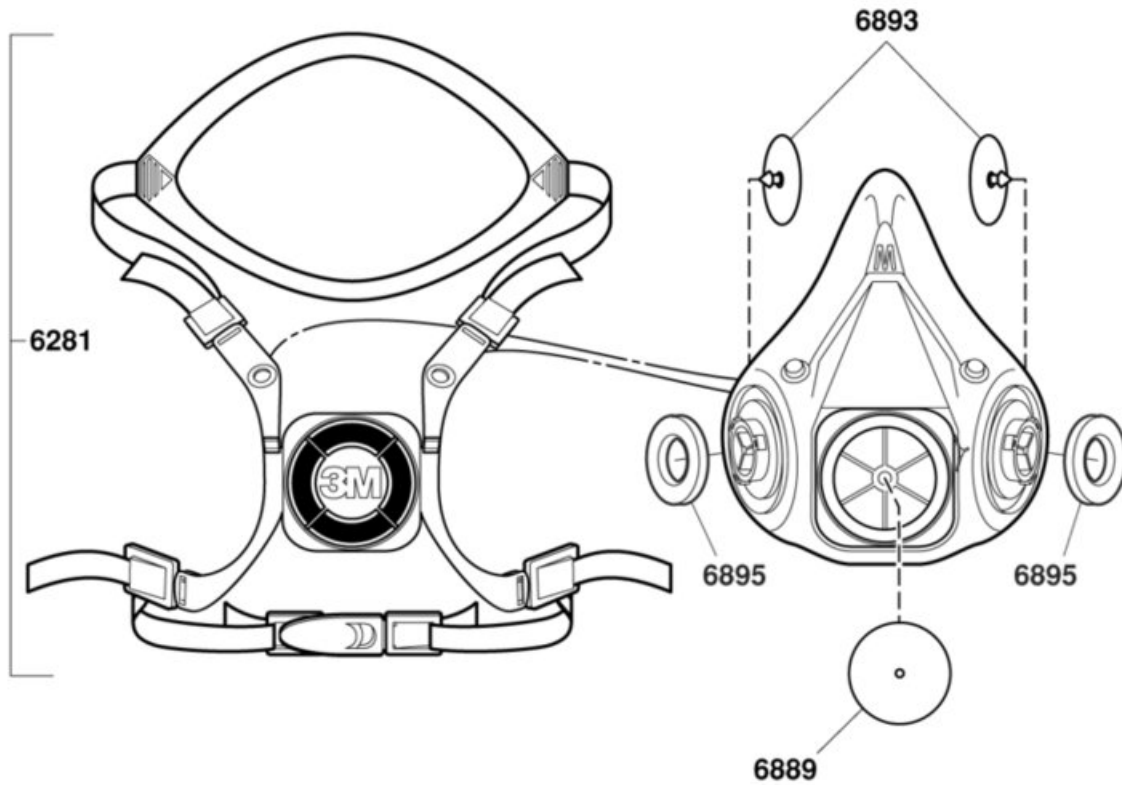
Product Description

This half facepiece reusable respirator offers reliable and convenient respiratory protection and is suitable for many situations, helping provide protection against particulates and a wide variety of gases and vapors according to NIOSH approvals. When properly fitted and used with approved 3M™ Cartridges and Filters, helps provide respiratory protection from a variety of gases, vapors and particulate hazards at concentrations up to 10 times the Permissible Exposure Limit (PEL). Not for use in environments that are immediately dangerous to life or health (IDLH).

Product Advantages

- Compatible with a range of 3M™ Filters and Cartridges
- Among the lightest respirators available
- Swept back design of the cartridges helps improve balance and visibility
- Remarkably comfortable, soft, lightweight facepiece with easy-to-adjust head straps
- Reusable — just dispose of the cartridges/filters when used to capacity
- Can be disassembled, cleaned and reused many times

Technical Documents



View this product online at <https://marathonhardware.com/pd/3M-6200>



Technical Documents



4100
page 1 of 3

Half Facepiece Respirator 6000 Series, Reusable

Issue Date 7/1/09

Unmatched performance and comfort.

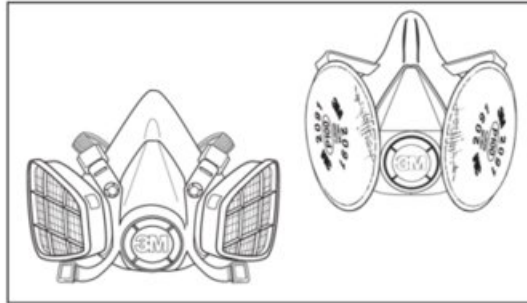
3M™ Half Facepiece Respirator 6000 Series, Reusable offers the user comfort and convenience coupled with the cost savings of a reusable respirator.

Features/Benefits

- Used with 3M™ Filters and Cartridges, these respirators are among the lightest available
- The swept back design of the cartridges helps improve balance and visibility
- Remarkably comfortable, soft, lightweight facepiece and easy-to-adjust head straps
- Reusable—just dispose of the cartridges/filters when used to capacity
- Can be disassembled, cleaned and reused
- NIOSH approved for negative pressure air purifying and supplied air dual airline applications
- Supplied with reclosable storage bag
- The half facepieces are available in 3 sizes (small, medium, large) to comfortably fit many faces

The 6000 Series respirators can be used in dual airline mode:

- Available with both back-mounted and front-mounted breathing tubes



The 3M™ Half Facepiece Respirator 6000 Series, Reusable with replaceable cartridges/filters

- Systems can be used in combination with NIOSH approved 3M™ 2000 or 2200 Series Filters or 6000 Series Cartridges and P100 Filter/Cartridges
- Cartridge/filter connections provide negative pressure and supplied air capability in one respirator assembly
- Can be used on both high and low pressure supplied air systems*
- Wearer can disconnect the airline at the air regulating valve and the system is changed to a filters/ cartridges air purifying mode— then back to supplied air system with a simple reconnection of the airline
- Small diameter breathing tubes are simple to work with and easy to clean and decontaminate

WARNING	
	These respirators help protect against certain airborne contaminants. Misuse may result in sickness or death. Before use, the wearer must read and understand User Instructions provided as a part of product packaging. Time use limitations may apply. For proper use, see package instructions, supervisor or call 3M OHS&SD Technical Service in U.S.A., 1-800-243-4630. In Canada, call 1-800-267-4414.
Important	
Before using these respirators, you must determine the following:	
1. The type of contaminant(s) for which the respirator is being selected.	
2. The concentration level of contaminant(s).	
3. Whether the respirator can be properly fitted on the wearer's face. All respirator instructions, warnings and use and time limitations must also be read and understood by the wearer before use.	
Before use of these respirators, a written respiratory protection program must be implemented, meeting all the requirements of OSHA 29 CFR 1910.134, including training, medical evaluation and fit testing.	

* Employer must provide a minimum of Grade D breathing air in accordance with OSHA requirements

View this product online at <https://marathonhardware.com/pd/3M-6200>

Technical Documents

Helping You Wear it Right

Wearing your 3M™ Half Facepiece Reusable Respirator


- 

Place the respirator over your nose and mouth with bottom straps unfastened.
- 

Pull the top strap over your head, placing the head cradle on the crown of your head.
- 

Hook the bottom straps together behind your neck.
- 

Adjust strap tension to achieve a secure fit.

 **WARNING**
These respirators may reduce respiratory & hearing protection capabilities. Before use, the wearer must read and understand the User Instructions provided as a part of the product packaging. If a hearing impairment assessment program exists at the workplace as of OSHA 1910.134, the resulting hearing, fit testing and/or medical assessment is required. Use whenever OSHA regulations exist for your workplace and the applicable conditions. Do not use if you have a medical condition that could be aggravated by the use of a respirator. Please use the product only as directed on the label. For product use, see package instructions, Supplied at call 3M 800322 Technical Services at 800.322.4433 and in Canada at 1.800.387.2624.



Check the seal of your 3M™ Half Facepiece Reusable Respirator each time you don the respirator

Note: Before assigning any respirator to be worn in a contaminated area, a qualitative or quantitative fit test must be performed per U.S. OSHA standard 29CFR 1910.134 or local requirements.

Note: Perform a positive and/or negative pressure user seal check each time the respirator is donned. If you cannot achieve a proper seal, do not enter contaminated area. See your supervisor.

Positive Pressure User Seal Check

Place the palm of your hand over the exhalation valve cover and exhale gently. The facepiece should bulge slightly. If air leaks between the face and the facepiece of the respirator, reposition it and adjust the straps for a more secure seal.*



Negative Pressure User Seal Check

Using Particulate Filters
Place your thumbs over the center of the filters and inhale gently. The facepiece should collapse slightly. If air leaks between the face and the facepiece of the respirator, reposition it and adjust the straps for a more secure seal.*



Using Cartridges

Place the palms of your hands over the cartridges and inhale gently. The facepiece should collapse slightly. If air leaks between the face and the facepiece of the respirator, reposition it and adjust the straps for a more secure seal.*



* If you cannot achieve a proper seal, do not enter contaminated area. See your supervisor.

General Offices
3M Center
St. Paul, MN 55144-1000

For More Information
In U.S.
Technical Assistance: 1-800-243-4630
Customer Service: 1-800-328-1667
3M.com/PPESafety

In Canada
Technical Assistance: 1-800-267-4414
Customer Service: 1-800-364-3577
3M.CA.Safety

Please recycle. Printed in U.S.A.
© 3M 2011. All rights reserved.
70-0702-2048-1



View this product online at <https://marathonhardware.com/pd/3M-6200>

Technical Documents

MATERIAL SAFETY DATA SHEET 6000 SERIES HALF MASK RESPIRATORS 10/15/12



Material Safety Data Sheet

Copyright, 2012, 3M Company All rights reserved. Copying and/or downloading of this information for the purpose of properly utilizing 3M products is allowed provided that: (1) the information is copied in full with no changes unless prior written agreement is obtained from 3M, and (2) neither the copy nor the original is resold or otherwise distributed with the intention of earning a profit thereon.

This material safety data sheet (MSDS) is provided as a courtesy in response to a customer request. This product is not regulated under, and a MSDS is not required for this product by the OSHA Hazard Communication Standard (29 CFR 1910.1200) because, when used as recommended or under ordinary conditions, it should not present a health and safety hazard. However, use or processing of the product not in accordance with the product's recommendations or not under ordinary conditions may affect the performance of the product and may present potential health and safety hazards.

SECTION 1: PRODUCT AND COMPANY IDENTIFICATION

PRODUCT NAME: 6000 SERIES HALF MASK RESPIRATORS
MANUFACTURER: 3M
DIVISION: Occupational Health & Environ. Safety
ADDRESS: 3M Center, St. Paul, MN 55144-1000

EMERGENCY PHONE: 1-800-364-3577 or (651) 737-6501 (24 hours)

Issue Date: 10/15/12
Supersedes Date: 10/15/12

Document Group: 07-4066-2

Product Use:
 Intended Use: Respiratory Protection

SECTION 2: INGREDIENTS

<u>Ingredient</u>	<u>C.A.S. No.</u>	<u>% by Wt</u>
POLYPROPYLENE	Unknown	40 - 70
THERMOPLASTIC ELASTOMER	Unknown	30 - 60
POLYETHYLENE	Unknown	10 - 30
POLYESTER BRAIDED BANDS, SYNTHETIC POLYISOPRENE CORES	Unknown	5 - 10
SYNTHETIC POLYISOPRENE INHALATION VALVE	Unknown	1 - 5
SILICONE (ORANGE BAYONET GASKET AND BLUE EXHALATION VALVE)	Unknown	1 - 5

SECTION 3: HAZARDS IDENTIFICATION

3.1 EMERGENCY OVERVIEW



3M Half Facepiece Respirator 6000 Series

*User Instructions for 3M™ 6100 (Small), 07024 (Small), 6200 (Medium), 07025 (Medium), 6300 (Large), 07026 (Large) Half Facepieces**

Important: Keep these *User Instructions* for reference.

* 07024, 07025, 07026 are catalog numbers only. NIOSH approved 3M™ 6100 (Small), 6200 (Medium), 6300 (Large) Half Facepieces.



Technical Documents

3M

4058
page 1 of 1

Technical Data Bulletin

#150, September, 2001 — Reusable Respirators

Inspection, Cleaning and Storage Procedures for 3M Reusable Respirators

Inspection

3M™ 6000 and 7000 Series Respirators must be inspected before each use to ensure good operating condition. The facepiece must be repaired or replaced if there are damaged or defective parts. The following inspection procedure is suggested:

1. Check facepiece for cracks, tears and dirt. Be certain facepiece, especially face seal area, is not distorted.
2. Examine inhalation valves for signs of distortion, cracking or tearing.
3. Make sure that head straps are intact and have good elasticity.
4. Examine all plastic parts for signs of cracking or fatiguing. Make sure filter gaskets or seal areas are in good condition.
5. Remove exhalation valve cover and examine exhalation valve and valve seat for signs of dirt, distortion, cracking or tearing. Replace exhalation valve cover.
6. Inspect lens of full facepiece for any damage that may impair respirator performance or vision.

Cleaning and Storage

Cleaning is recommended after each use. 3M™ Respirator Cleaning Wipes 504 may be used as an interim method in the cleaning

schedule for individually assigned respirators, but they must not be the only method in place. During fit-testing, wipes may also be used between employees being tested. However, these respirators must be thoroughly cleaned at the end of each day, using procedures in appendix B-2 of 29 CFR 1910.134.

⚠ WARNING

Do not clean with solvents. Cleaning with solvents may degrade some respirator components and reduce respirator effectiveness. Inspect all respirator components before each use to ensure good operating condition. Failure to do so may result in sickness or death.

1. Remove cartridges and filters.
2. Clean facepiece (excluding filters and cartridges) by immersing in warm cleaning solution, water temperature not to exceed 120° F (49° C), and scrub with soft brush until clean. Add neutral detergent if necessary. Do not use cleaners containing lanolin or other oils.
3. Disinfect facepiece by soaking in a solution of quaternary ammonia disinfectant or sodium hypochlorite (1 oz [30 ML] household bleach in 2 gallons [7.5 L] of water), or other disinfectant.
4. Rinse in fresh, warm water and air dry in noncontaminated atmosphere.

Issue Date 11/01/01

5. Respirator components must be inspected prior to each use. A respirator with any damaged or deteriorated components must be repaired or discarded.

6. The cleaned respirator should be stored away from contaminated areas when not in use.

NOTE: The above information is also outlined in the users instructions. Additionally, see specific product user instructions packaged with each respirator facepiece for additional information.

For more information:

In the U.S., contact:

Technical Assistance
1-800-243-4630
Sales Assistance/Local Distributor
1-800-328-1667
Fax On Demand
1-800-646-1655
Internet
www.3M.com/occsafety
E-mail
occsafety@mmm.com
For other 3M products
1-888-3M HELPS

In Canada, contact:

3M Canada Company, OH&ESD
P.O. Box 5757
London, Ontario N6A 4T1
Technical Assistance (Canada only)
1-800-267-4414
Sales Assistance
1-800-265-1840, ext. 6137
Internet
www.3M.com/CA/occsafety
3M Canada E-mail
ohes@ca.mmm.com
Technical Assistance In Mexico
01-800-712-0646
Technical Assistance In Brazil
0800-550705
For all other OUS locations:
1-651-732-6530

3M Occupational Health and Environmental Safety Division

3M Center, Building 235-2W-70
St. Paul, MN 55144-1000

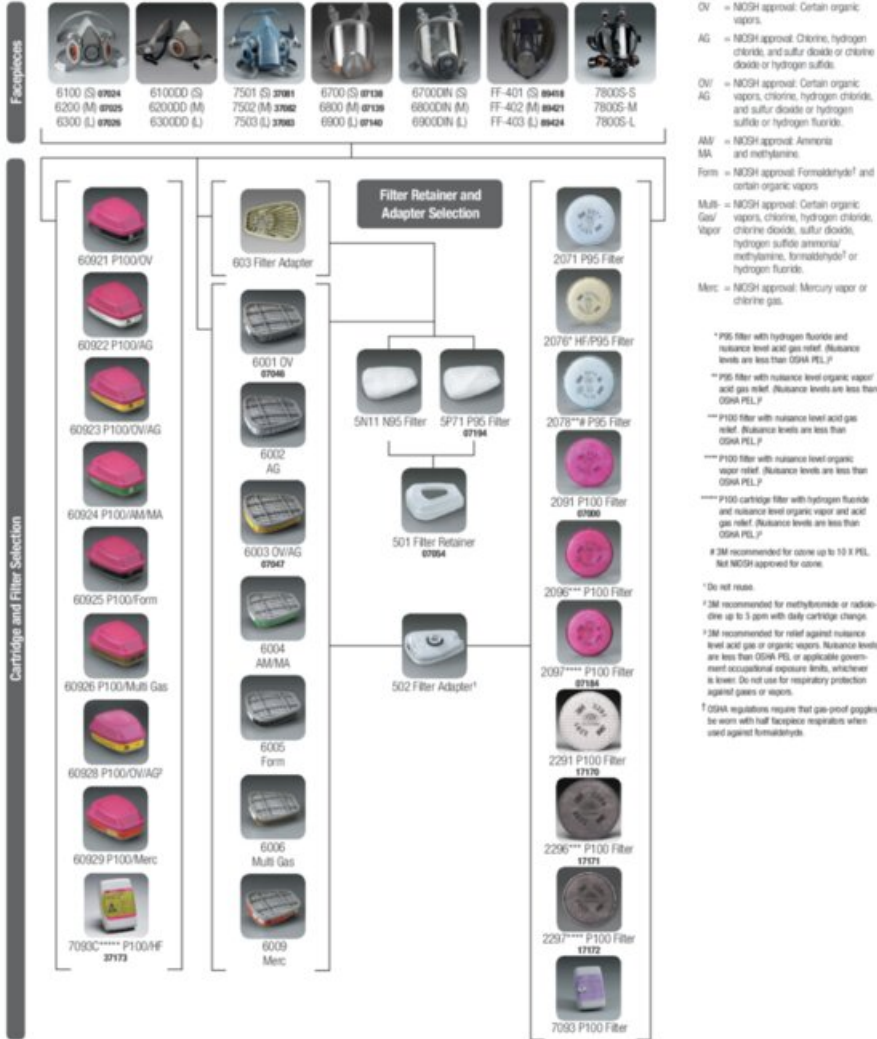
View this product online at <https://marathonhardware.com/pd/3M-6200>



Technical Documents

3M™ Half and Full Facepiece Respirators 6000, 7000 and FF-400 Series – Product Matrix

3M Automotive Aftermarket Division (AAD) Product Numbers are listed in bold on select products. Other AAD packages available.



OV = NIOSH approval: Certain organic vapors.

AG = NIOSH approval: Chlorine, hydrogen chloride, and sulfur dioxide or chlorine dioxide or hydrogen sulfide.

OV/AG = NIOSH approval: Certain organic vapors, chlorine, hydrogen chloride, and sulfur dioxide or hydrogen sulfide or hydrogen fluoride.

AM = NIOSH approval: Ammonia and methanamine.

MA = NIOSH approval: Formaldehyde† and certain organic vapors.

Form = NIOSH approval: Certain organic vapors, chlorine, hydrogen chloride, hydrogen sulfide, ammonia, methanamine, formaldehyde† or hydrogen fluoride.

Merc = NIOSH approval: Mercury vapor or chlorine gas.

* P95 filter with hydrogen fluoride and nuisance level acid gas relief. (Nuisance levels are less than OSHA PEL.)

** P95 filter with nuisance level organic vapor and acid gas relief. (Nuisance levels are less than OSHA PEL.)

*** P100 filter with nuisance level acid gas relief. (Nuisance levels are less than OSHA PEL.)

**** P100 filter with nuisance level organic vapor relief. (Nuisance levels are less than OSHA PEL.)

***** P100 cartridge filter with hydrogen fluoride and nuisance level organic vapor and acid gas relief. (Nuisance levels are less than OSHA PEL.)

† OSHA recommended for use up to 10 x PEL. Not NIOSH approved for ozone.

‡ Do not reuse.

§ 3M recommended for methylene chloride or radon: one up to 3 ppm with daily cartridge change.

¶ 3M recommended for relief against nuisance level acid gas or organic vapors. Nuisance levels are less than OSHA PEL or applicable government occupational exposure limits, whichever is lower. Do not use for respiratory protection against gases or vapors.

‡ OSHA regulations require that gas-proof goggles be worn with half facepiece respirators when used against formaldehyde.

WARNING! For proper use, see user instructions, warnings and limitations accompanying each product.

© 3M 2011. All rights reserved. 3M is a trademark of 3M Company, used under license in Canada.



View this product online at <https://marathonhardware.com/pd/3M-6200>

Technical Documents

Selection Guide for 3M™ Reusable Respirators

		3M™ Half and Full Facepiece Respirators			
		5000 Series	6000 Series	6500 Series	Professional Series 7000 and FF-400 Series
Cartridge Type	Color Code	NIOSH Approved for:		Respirator Cartridges	
		Performance Cartridges	Reusable Cartridges		
5000 Series		5001 Small 5002 Medium 5003 Large	6001 6002 6003	6501 6502 6503	7001 7002 7003 FF-400
6000 Series		6001 6002 6003	6001 6002 6003	6501 6502 6503	7001 7002 7003 FF-400
6500 Series		6501 6502 6503	6501 6502 6503	6501 6502 6503	7001 7002 7003 FF-400
Professional Series 7000 and FF-400 Series		7001 7002 7003 FF-400	7001 7002 7003 FF-400	7001 7002 7003 FF-400	7001 7002 7003 FF-400

Filters	Color Code	NIOSH Approved for:
5001		Particulates
5002		Organic Vapors and Particulates
5003		Particulates
6001		Particulates
6002		Particulates
6003		Particulates
6501		Particulates
6502		Particulates
6503		Particulates
7001		Particulates
7002		Particulates
7003		Particulates
FF-400		Particulates

Purifiers for Cartridges	Color Code	NIOSH Approved for:
5001		Gas and Particulates
6001		Particulates
6501		Particulates

3M Respirator Parts and Accessories

Replacement Parts for 5000 Series Half Facepiece Respirators

- 5001 Small Cartridge
- 5002 Medium Cartridge
- 5003 Large Cartridge
- 5001 Small Filter
- 5002 Medium Filter
- 5003 Large Filter
- 5001 Small Purifier
- 5002 Medium Purifier
- 5003 Large Purifier

Replacement Parts for 6000 Series Half Facepiece Respirators

- 6001 Cartridge
- 6002 Cartridge
- 6003 Cartridge
- 6001 Filter
- 6002 Filter
- 6003 Filter
- 6001 Purifier
- 6002 Purifier
- 6003 Purifier

Replacement Parts for 6500 Series Half Facepiece Respirators

- 6501 Cartridge
- 6502 Cartridge
- 6503 Cartridge
- 6501 Filter
- 6502 Filter
- 6503 Filter
- 6501 Purifier
- 6502 Purifier
- 6503 Purifier

Replacement Parts for 7000 Series Full Facepiece Respirators

- 7001 Cartridge
- 7002 Cartridge
- 7003 Cartridge
- 7001 Filter
- 7002 Filter
- 7003 Filter
- 7001 Purifier
- 7002 Purifier
- 7003 Purifier

Replacement Parts for FF-400 Series Full Facepiece Respirators

- FF-400 Cartridge
- FF-400 Filter
- FF-400 Purifier

For More Information:

NIOSH: 1-800-485-6069
 3M: 1-800-541-3344
 3M Technical Support: 1-800-541-3344

Respirator Safety:
 Always use proper fit testing procedures.
 Never use a respirator if it does not fit properly.
 Always use proper cleaning and disinfection procedures.

View this product online at <https://marathonhardware.com/pd/3M-6200>



Technical Documents



WARNING

This respirator helps protect against certain airborne contaminants. **Misuse may result in sickness or death.** For proper use, see your supervisor, or *User Instructions* or call 3M at 1-800-243-4630. In Canada, call Technical Service at 1-800-267-4414.

View this product online at <https://marathonhardware.com/pd/3M-6200>

