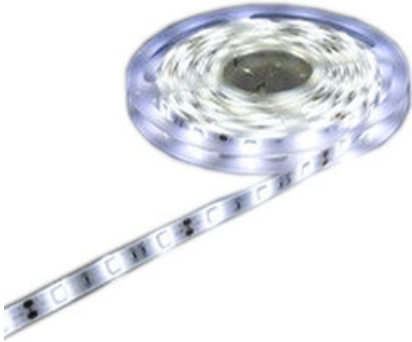


Flex Tape Light

Part Number: flex-tape-light



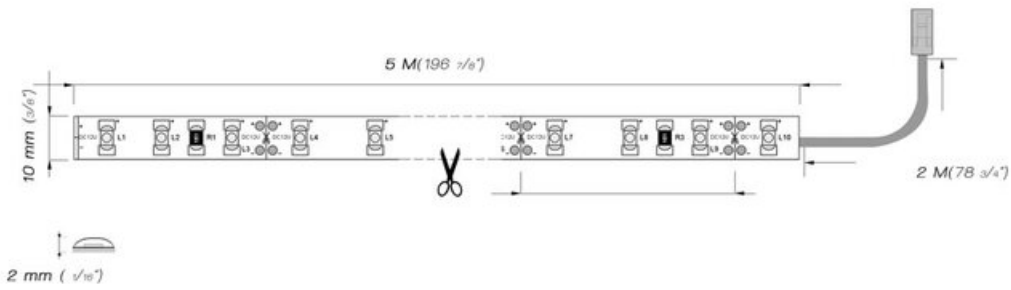
Flex Tape Lights

Suitable for many types of installations. You can cut easily at cut markers and reattach using connectors. Range of colour warmths, intensities and light spread patterns available.

Certification Mark	ETL
Colour Rendering Index (RA)	>70
Compatible System Lights and Accessories	System 2 ONLY
Depth	2 mm (1/16")
Dimmable	No
IP Protection Rating	IP44
Length	5 metre
Light Emission Angle	120°
Lighting Type	Flex Tape Light
Mounting Type	Surface
Operating Voltage	12V DC
System Compatibility	Marathon
Width	10 mm (3/8")

Technical Documents

Dimensional Drawing

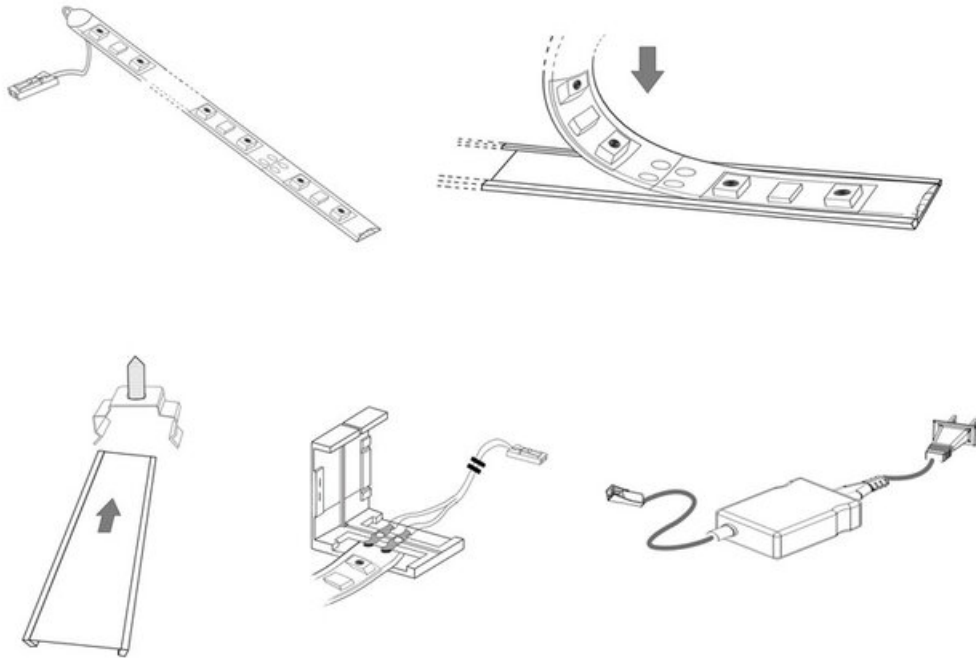


View this product online at <https://marathonhardware.com/pd/flex-tape-light>



Technical Documents

Installation



View this product online at <https://marathonhardware.com/pd/flex-tape-light>

