

Rear Fixing Brackets Single Rail Grey

Part Number: 105-M01032G



Rear Fixing Bracket for One Rail, Grey

Rear Fixing Bracket for One Lateral Rail, Grey Finish

Colour	-----	Grey
Drawer System	-----	Infinity Doublewall
Lateral Rail Type	-----	Round

Product Description

The **Doublewall Drawer Systems by DTC** are engineered and manufactured to exact specification, thus ensuring a long and reliable product lifetime that will stand up to the rigours of demanding use. We are so confident that this slide will meet or exceed your needs, that they carry a **limited lifetime warranty** on product failure and craftsmanship. In addition, they have been **certified by independent testing** and certification agencies to **exceed the highest of European and American standards** for slides.

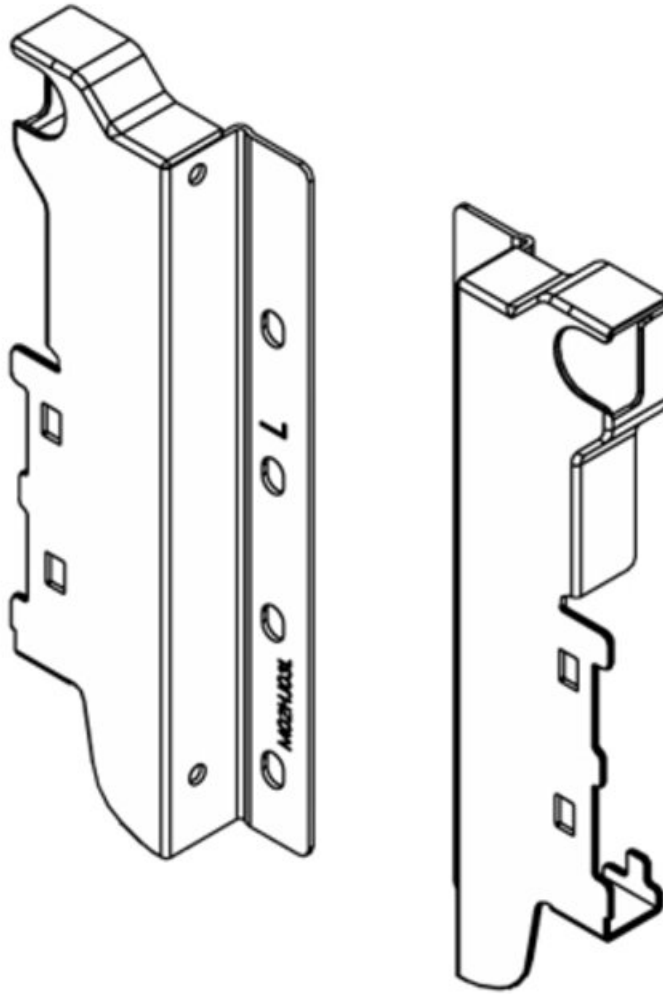
As the exclusive distributor of DTC's products in Canada, we have the **Doublewall Drawer System** in a range of styles as needed for your application. Available in white, grey and stainless steel finishes. There are a number of optional items to provide boxesides, lateral rails or other accessories. All **Doublewall Drawer Systems** slides include as standard our Infinity Soft-Closing System for that effortless and silent close.

Product Advantages

- Covered under Limited Lifetime Warranty
- Exceeds European/American standards
- Infinity Soft-Closing System
- Tool-less assembly/removal



Technical Documents



View this product online at <https://marathonhardware.com/pd/105-M01032G>

