



Double Wall System 500mm White

Part Number: 105-MA500W

Doublewall Drawer System - Standard Drawer

The Infinity Doublewall Drawer System is available in a range of styles and colours. With an industry best program of complete accessories, this drawer system can be designed for any need.

Boxside	None
Closing Type	Soft-Close
Colour	White
Doublewall Drawer Type	Standard
Drawer Height	83 mm
Drawer Side Height	83 mm
Drawer System	Infinity Doublewall
Drawer Type	Standard Drawer
Lateral Rail Type	No Rail
Length	500mm (20in)
Load Capacity	40kg (88lbs)
Slide Extension Type	Full-Extension

Product Description

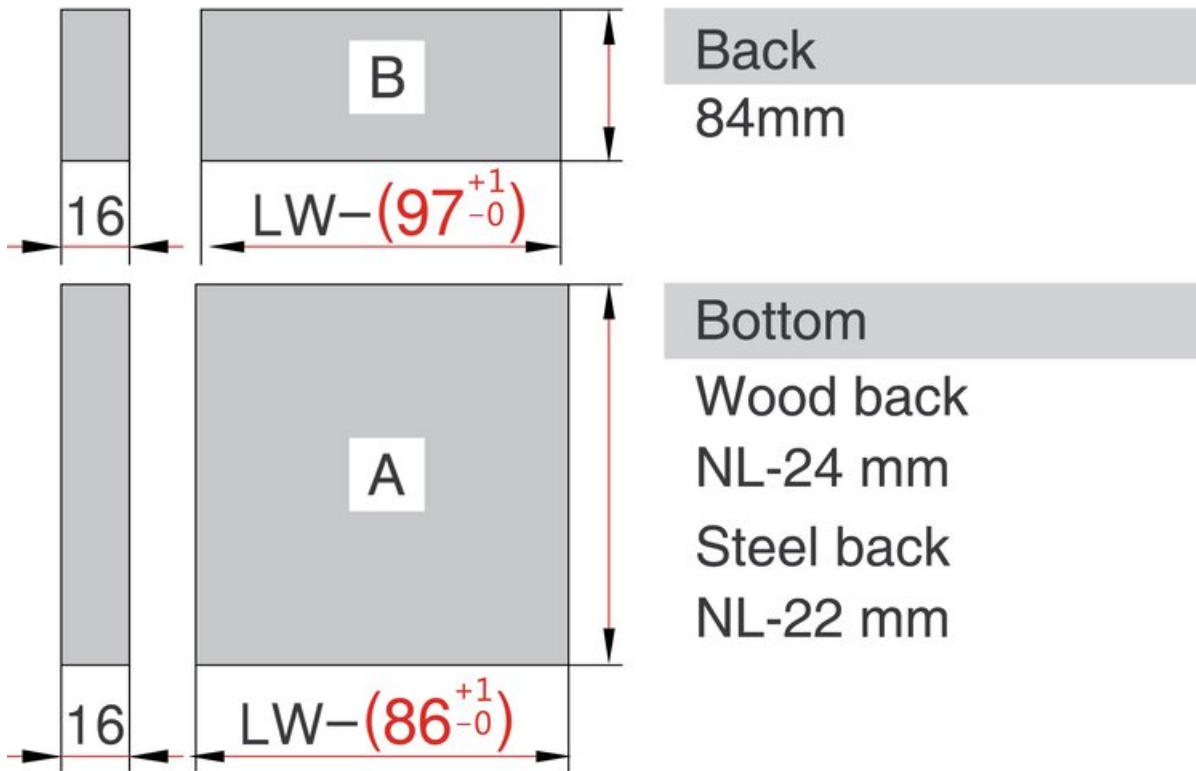
The **Doublewall Drawer Systems by DTC** are engineered and manufactured to exact specifications, ensuring a long and reliable product lifetime that will stand up to the rigours of demanding use. We are so confident that this slide will meet or exceed your needs that we offer a **limited lifetime warranty** on product failure and craftsmanship. In addition, they have been **certified by independent testing** and certification agencies to **exceed the highest of European and American standards** for slides.

As the exclusive distributor of DTC's products in Canada, we have the **Doublewall Drawer System** in a range of styles as needed for your application. Available in white, grey and stainless steel finishes. There are a number of optional items to provide boxesides, lateral rails or other accessories. All **Doublewall Drawer Systems** slides include as standard our Infinity Soft-Closing System for that effortless and silent close.

Product Advantages

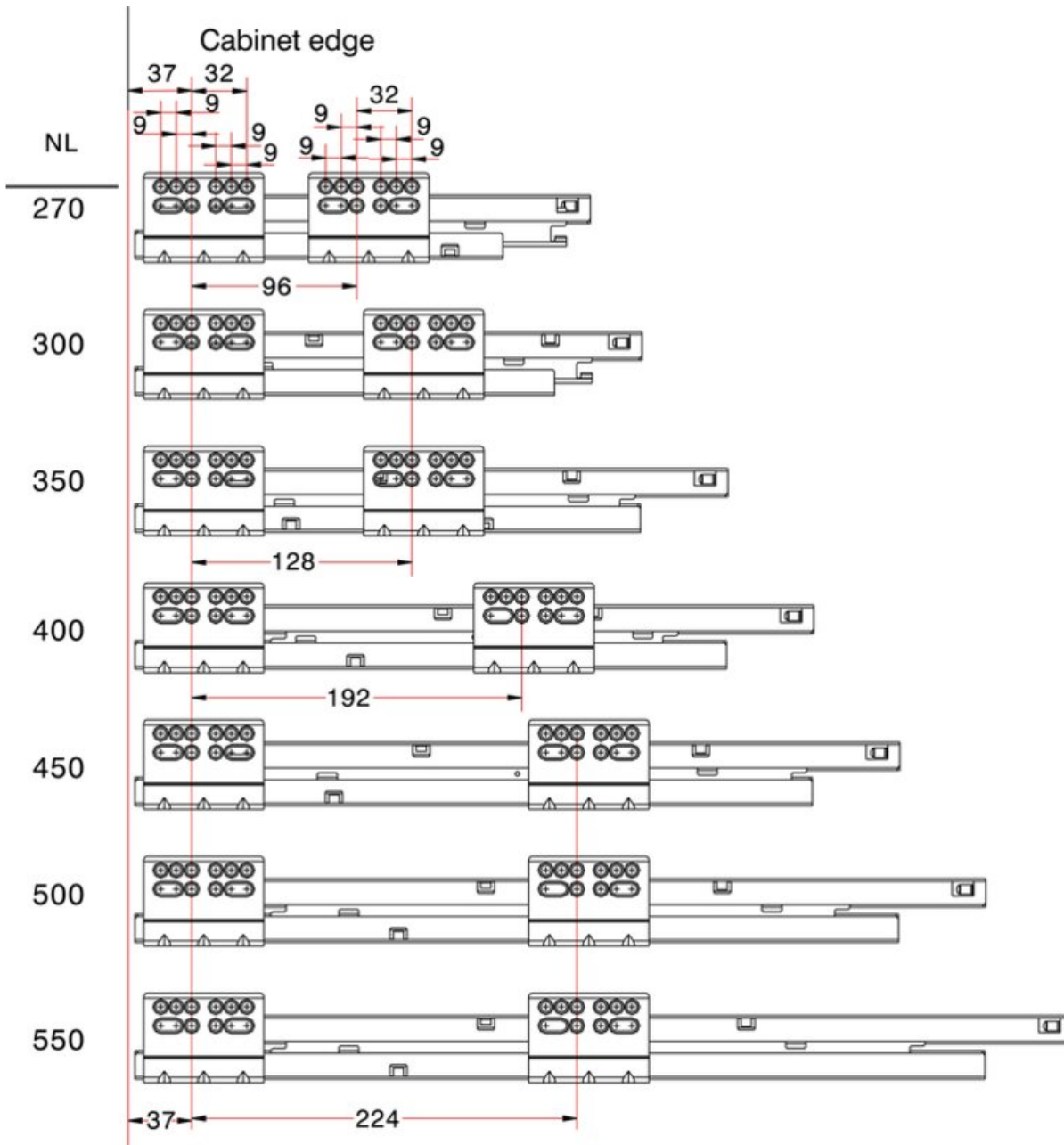
- Covered under Limited Lifetime Warranty
- Exceeds European/American standards
- Infinity Soft-Closing System
- Tool-less assembly/removal

Technical Documents



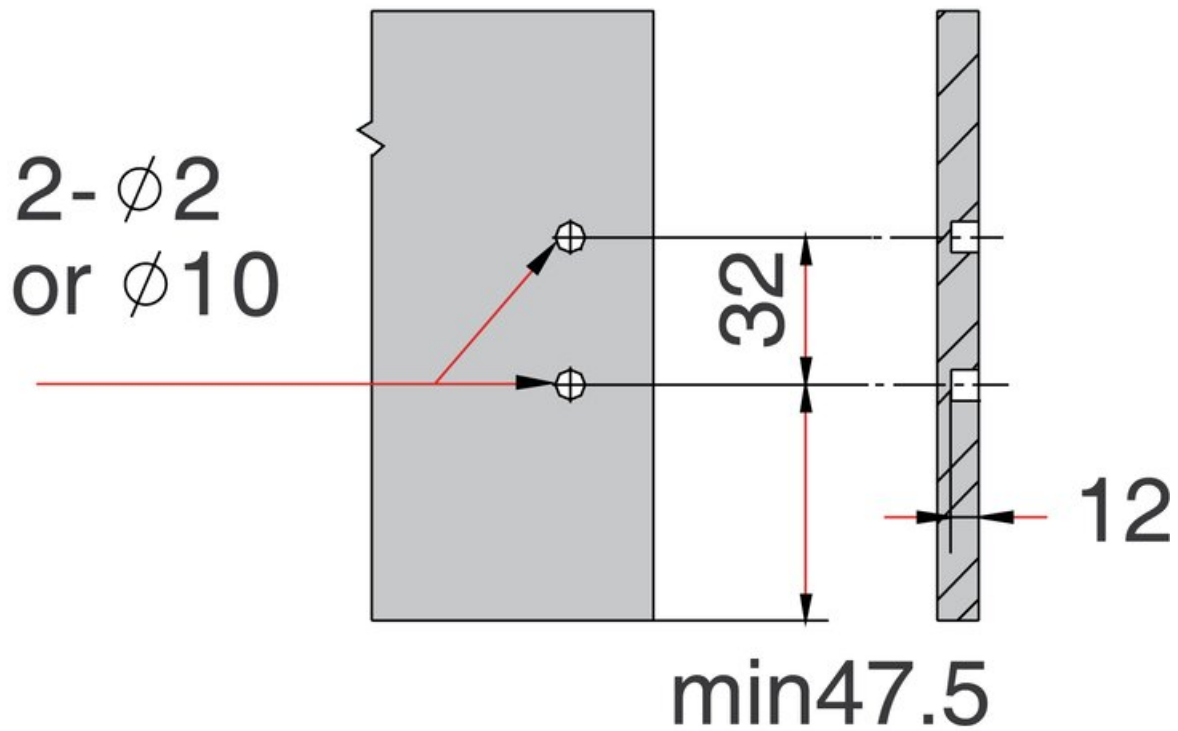
View this product online at <https://marathonhardware.com/pd/105-MA500W>

Technical Documents



View this product online at <https://marathonhardware.com/pd/105-MA500W>

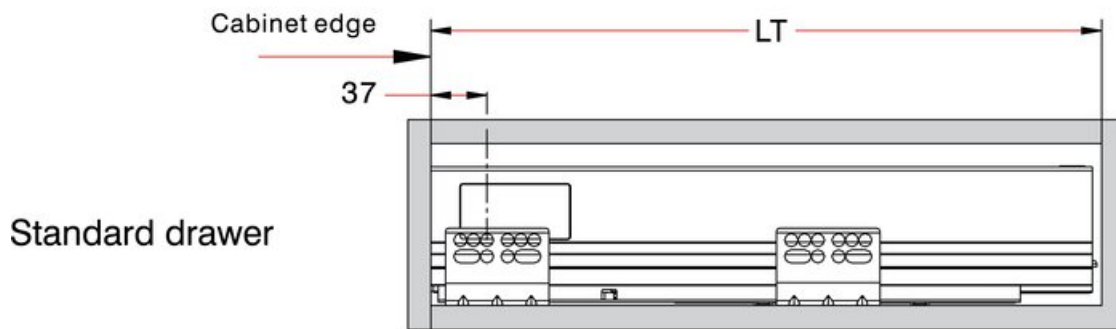
Drawer Front



View this product online at <https://marathonhardware.com/pd/105-MA500W>

Technical Documents

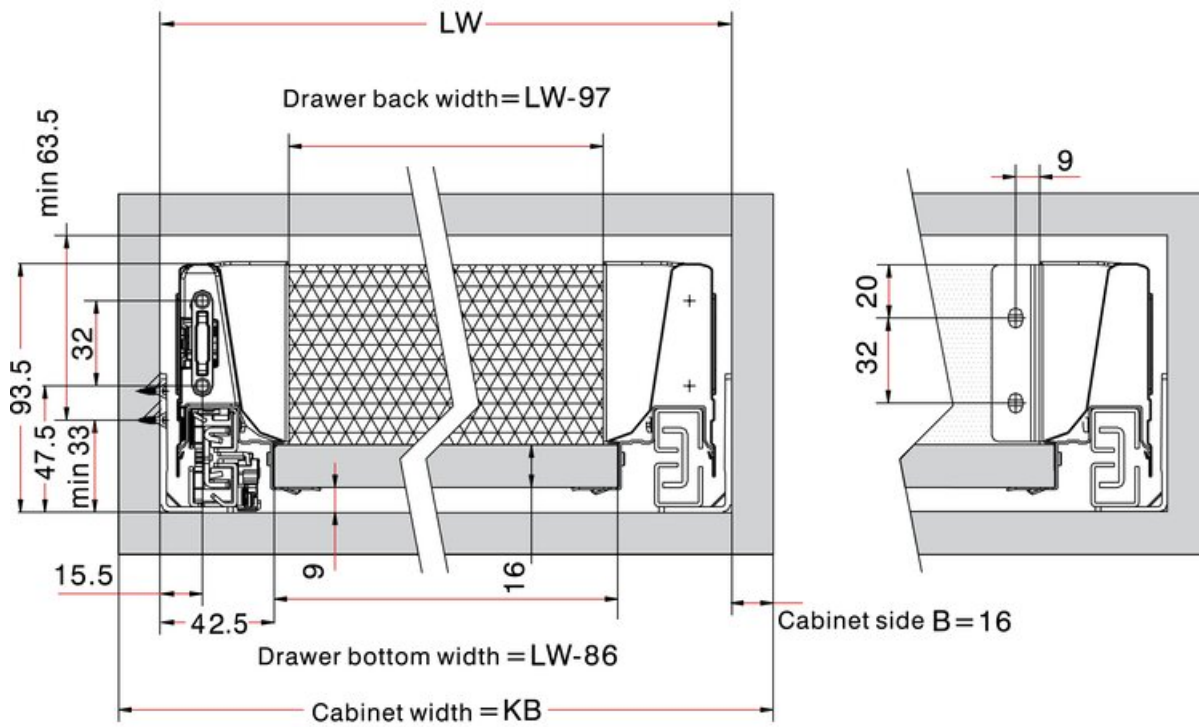
NL = Nominal Slide Length LT = Internal cabinet Depth $LT = NL + 3$



View this product online at <https://marathonhardware.com/pd/105-MA500W>

Technical Documents

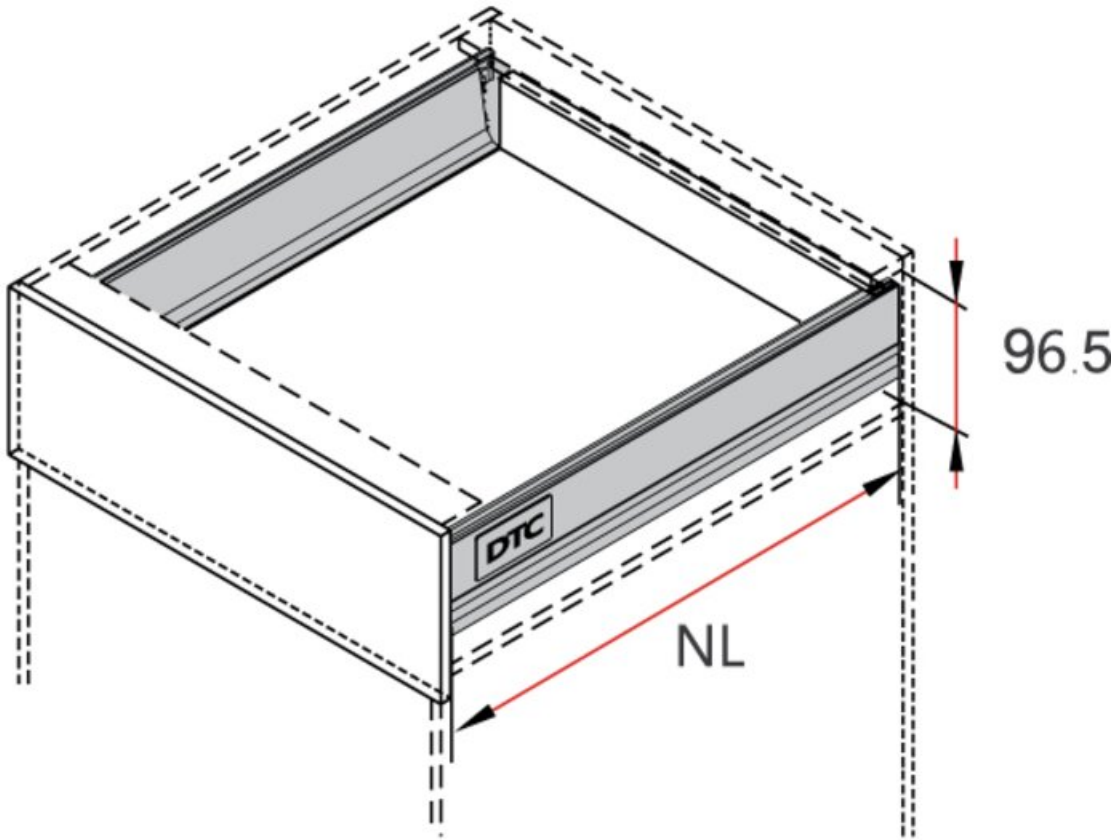
LW = Internal Cabinet Width



View this product online at <https://marathonhardware.com/pd/105-MA500W>



Technical Documents

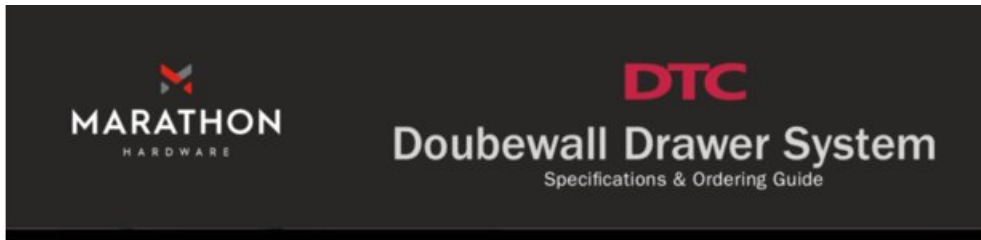


NL:Nominal length

View this product online at <https://marathonhardware.com/pd/105-MA500W>



Technical Documents



Standard Drawer Kit



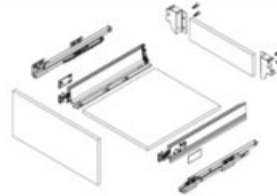
Standard Drawer Kit (packaged as a complete set)

Product Features:

- Finishes: Grey, White, & Stainless Steel
- Tool free assembly and removal of drawer
- Silent system guarantees smooth running
- Full adjustment (up, down, left, right)
- Standard 83mm height sides
- Dynamic load capacity: 40kg

Standard Drawer Kit Includes:

- One pair of Full Extension Soft-Close Slides
- One pair of Doublewall Drawer Slides (83mm height) and Infinity Cover Caps
- One Pair fo rear fixing brackets
- Two universal drawer front connectors



Standard Drawer Kit Ordering Guide

Length (mm)	Length (Inch)	Grey	White	Stainless Steel
270mm	11"	105-MA270G	105-MA270W	105-MA270SS
300mm	12"	105-MA300G	105-MA300W	105-MA300SS
350mm	14"	105-MA350G	105-MA350W	105-MA350SS
400mm	16"	105-MA400G	105-MA400W	105-MA400SS
450mm	18"	105-MA450G	105-MA450W	105-MA450SS
500mm	20"	105-MA500G	105-MA500W	105-MA500SS
550mm	22"	105-MA550G	105-MA550W	105-MA550SS

800 840 1228 · MARATHONHARDWARE.COM

View this product online at <https://marathonhardware.com/pd/105-MA500W>

