






## Metalbox 86mm x 450mm White, Screw-on Bottom, 10mm Dowels Front Bracket, with Round Lateral Rails

**Part Number: webkit4359**

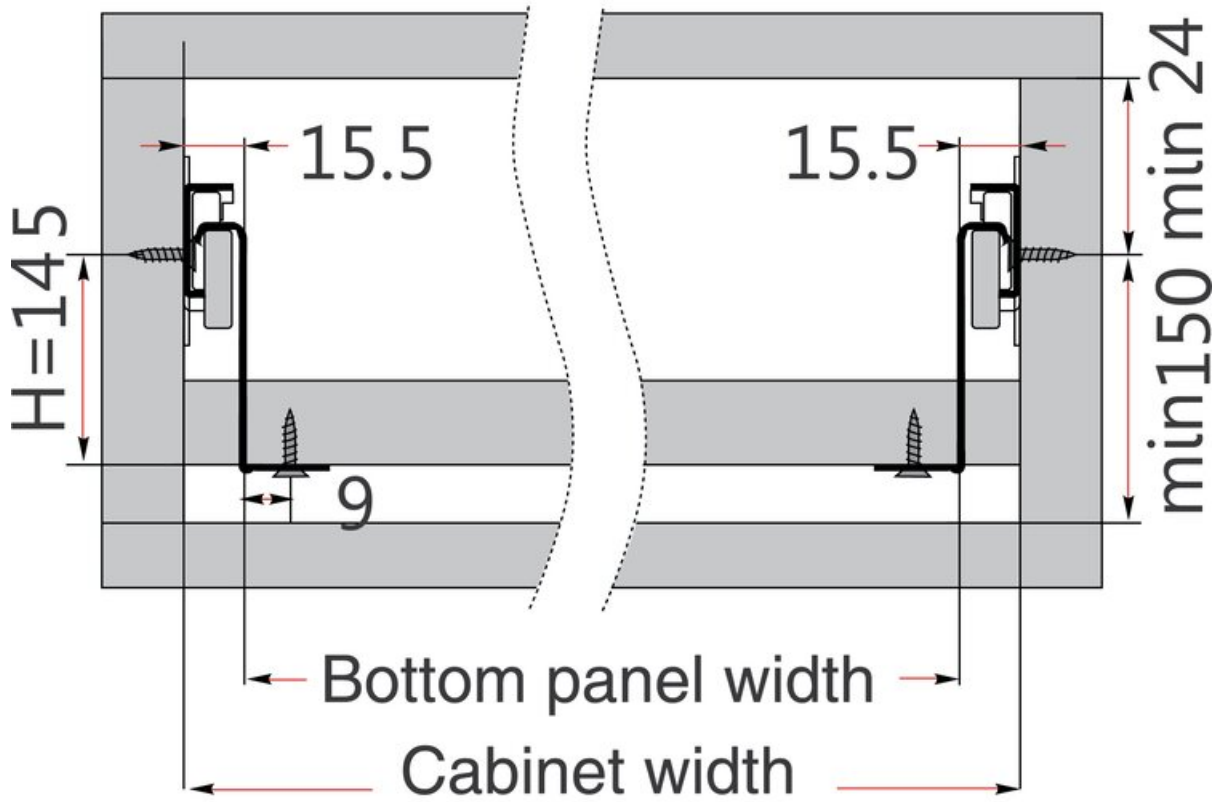
	Included in this webkit	Qty Required
	Metal Box 450x86mm White <b>Part #: 105-F12E-450</b>	1
	Lateral Rails 450mm Round White <b>Part #: 105-HY450</b>	1
	Front Fixing Brackets w/10mm Dowels <b>Part #: 105-L1MM</b>	1

Metalbox 86mm Drawer Kit with 10mm Dowel Front Brackets and Round Lateral Rails

The single wall Metalbox Drawer System is fast and easy to assembly. Works equally well in residential or commercial projects.

Closing Type	Self-Close
Colour	White
Drawer Height	86 mm
Drawer Side Height	86 mm
Drawer System	Metalbox
Lateral Rail Type	Round
Length	450mm (18in)
Load Capacity	25kg (55lbs)
Mounting Type (Bottom Panel)	Screw on
Mounting Type (Front Bracket)	10 mm Dowels

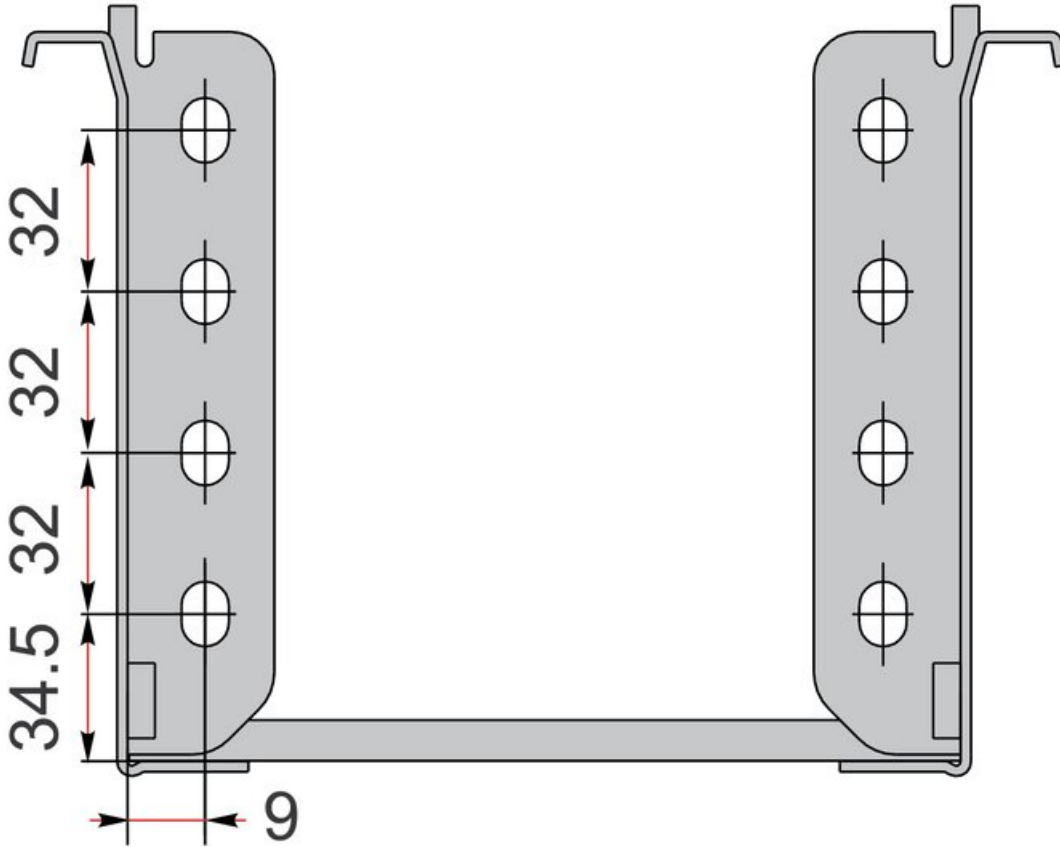
Technical Documents



View this product online at <https://marathonhardware.com/pd/webkit4359>



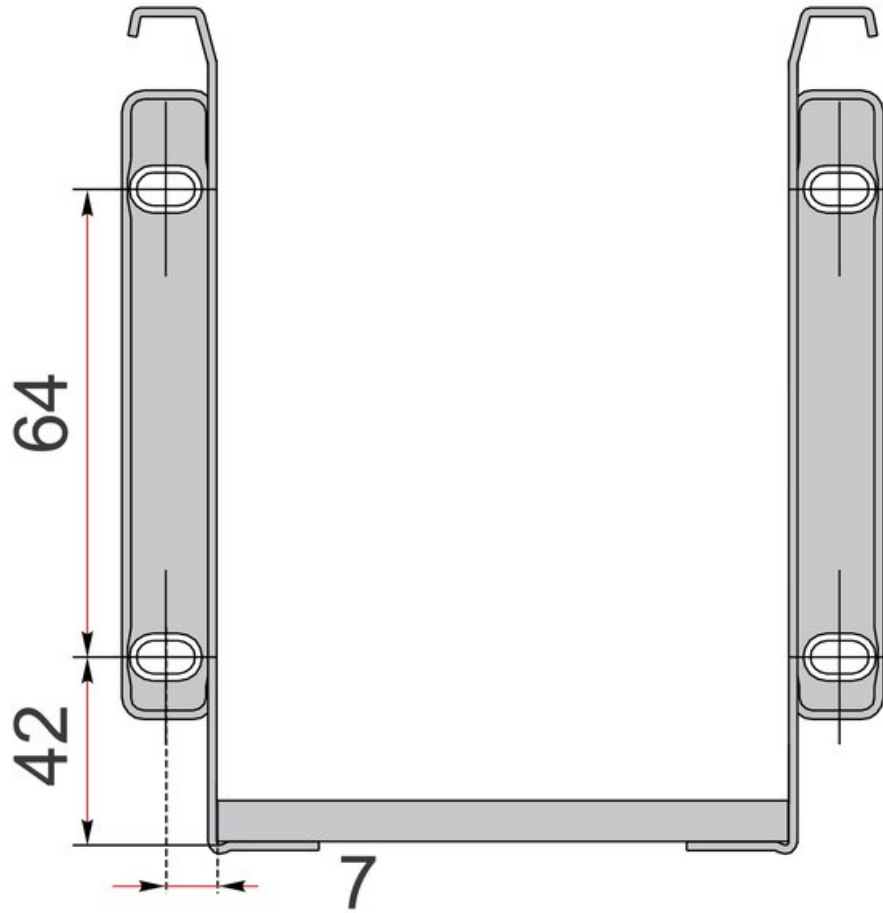
## Back



View this product online at <https://marathonhardware.com/pd/webkit4359>

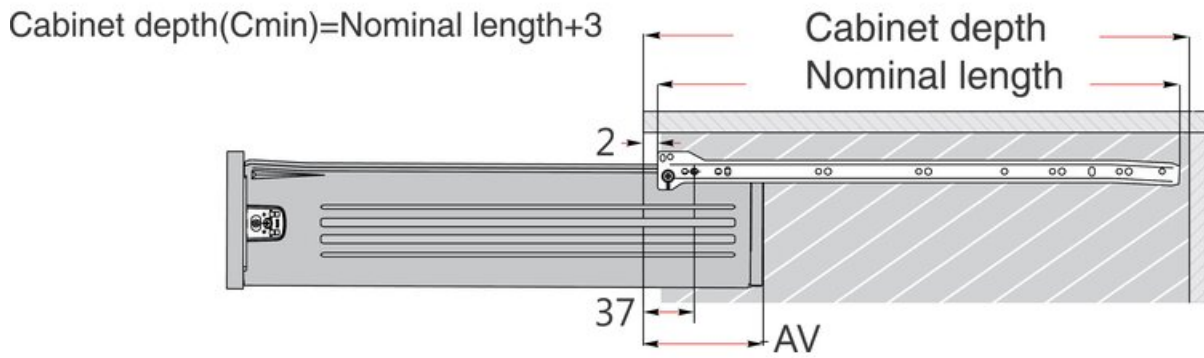


## Front Connector



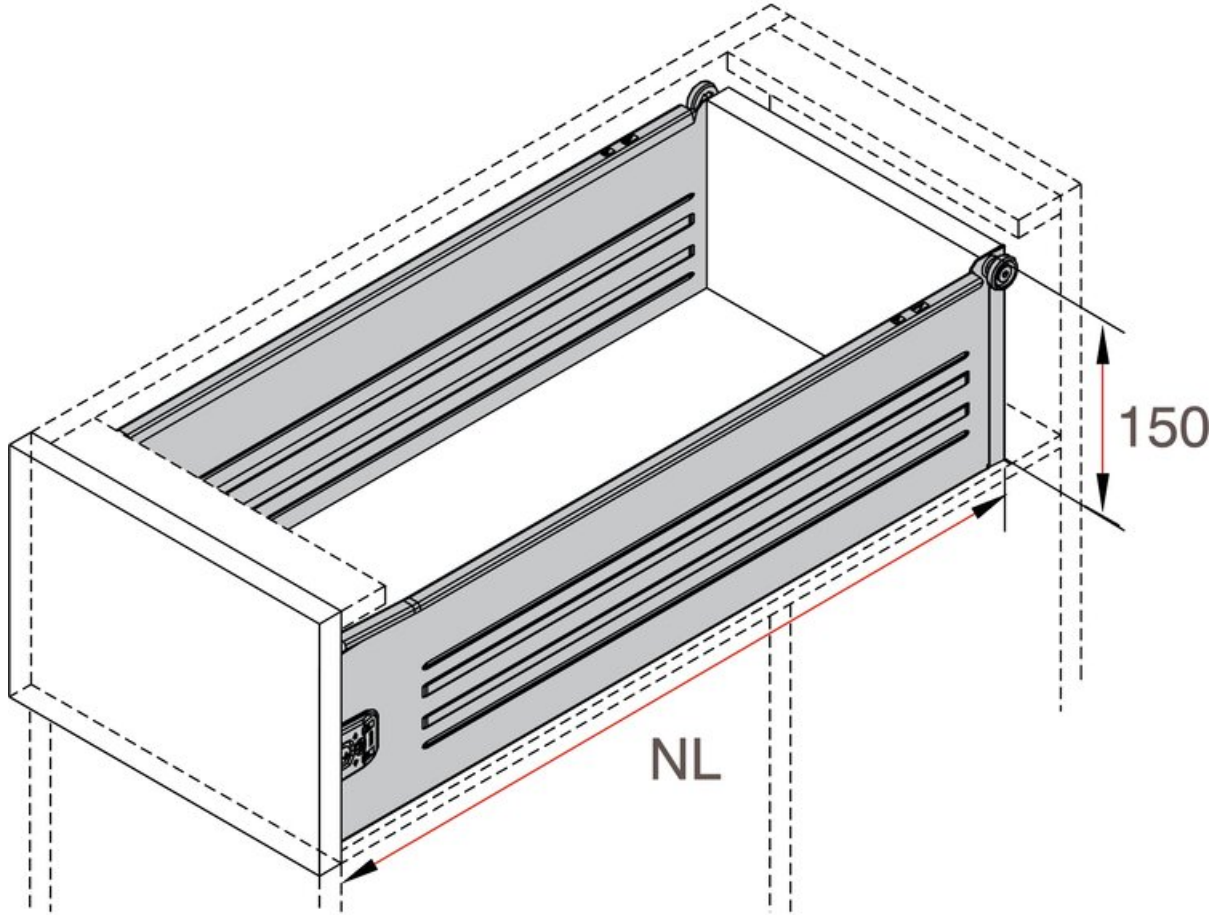
View this product online at <https://marathonhardware.com/pd/webkit4359>

Technical Documents



View this product online at <https://marathonhardware.com/pd/webkit4359>

Technical Documents

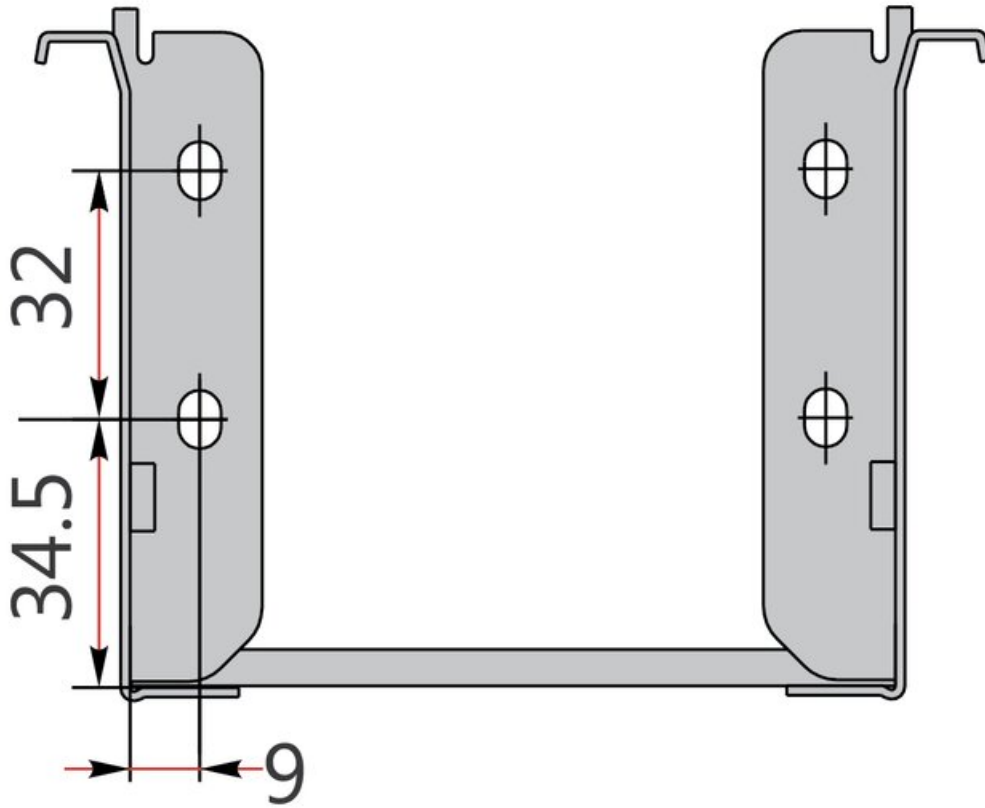


NL Nominal length

View this product online at <https://marathonhardware.com/pd/webkit4359>

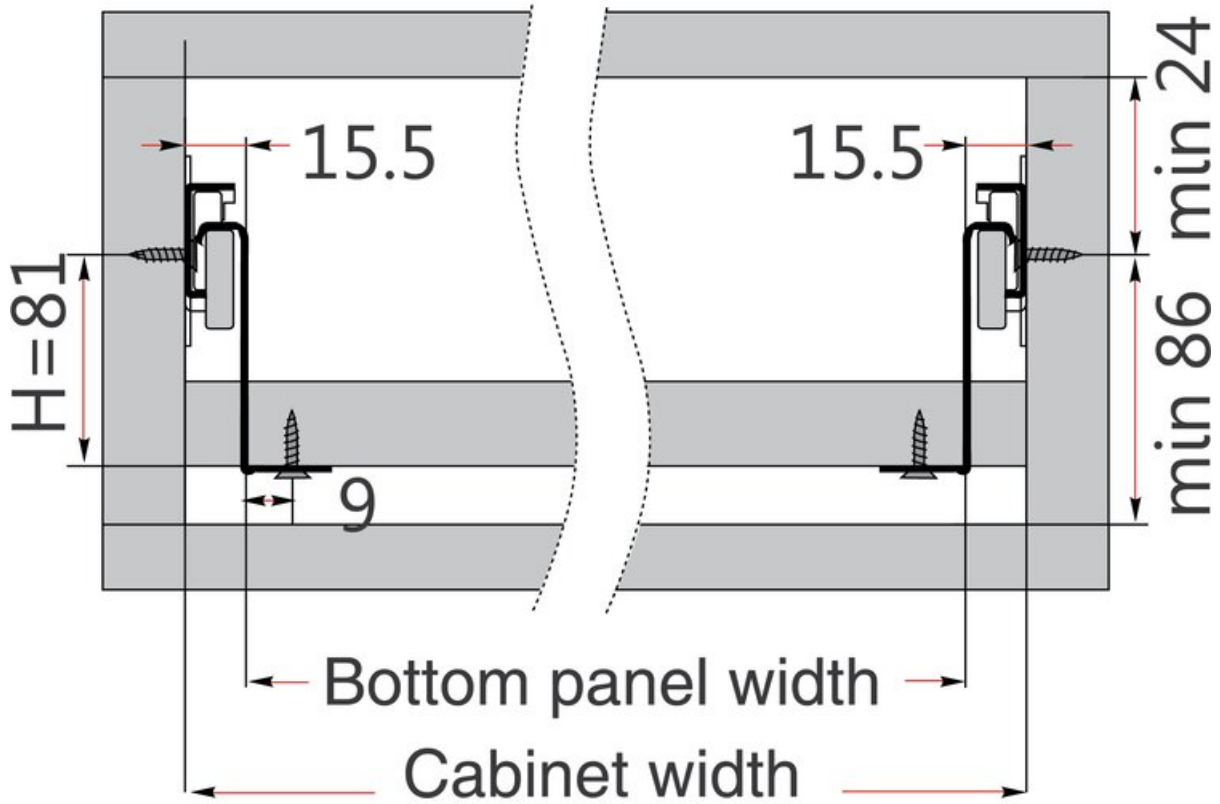


## Back



View this product online at <https://marathonhardware.com/pd/webkit4359>

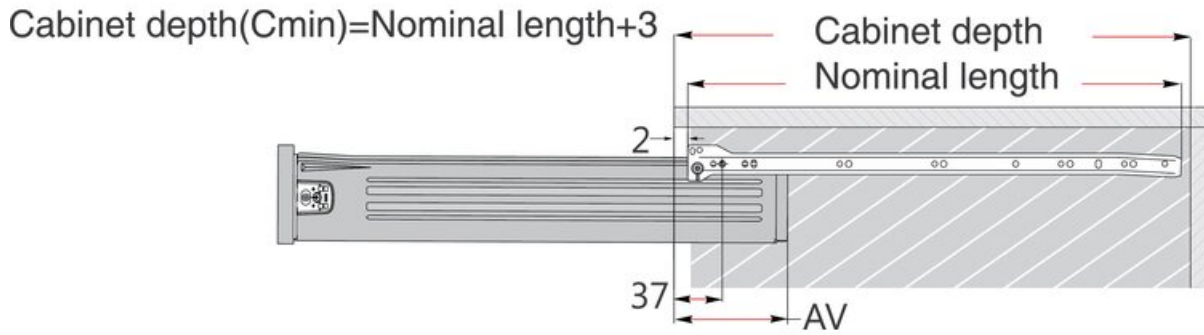
Technical Documents



View this product online at <https://marathonhardware.com/pd/webkit4359>



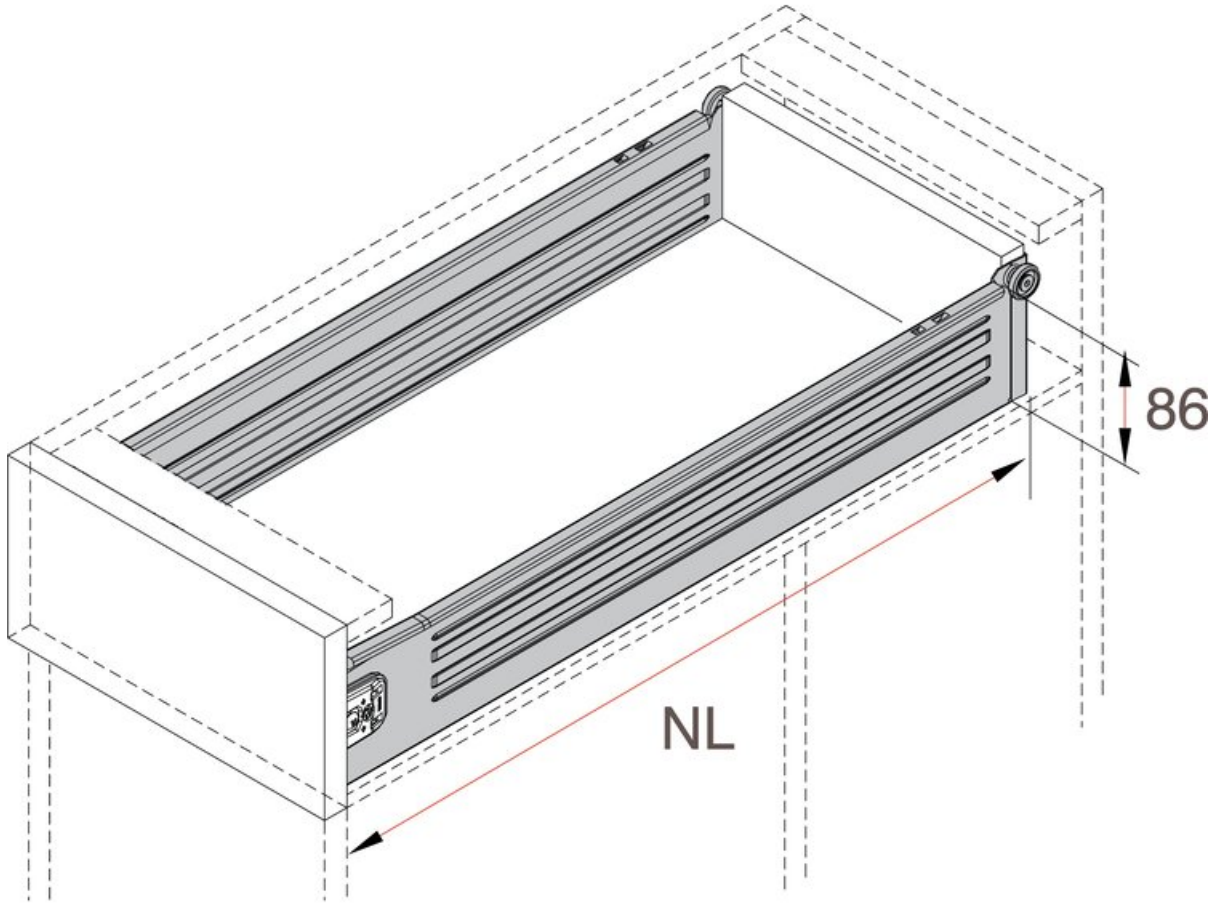
Technical Documents



View this product online at <https://marathonhardware.com/pd/webkit4359>



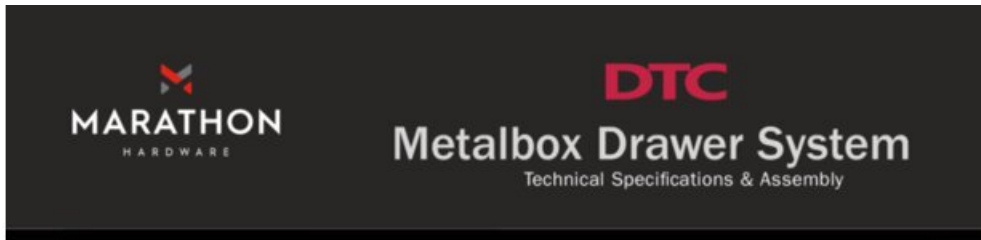
## Technical Documents



View this product online at <https://marathonhardware.com/pd/webkit4359>



## Technical Documents



### Metal Box Drawer System 86mm Height Sides



### Product Features:

- Epoxy Finish: White
- Self-Closing
- Double stop positions
- 2-D front
- Screw-on bottom panel
- Lengths: 270-550mm
- Load capacity: 25kg

### Metal Box Drawer Kit Included Parts

- One pair of Full Extension Metal Side Rails
- One pair of Metal Box Sides 86mm Height



### Metal Box Drawer Kit

Length (mm)	Side Height	Colour	Part#	Front Fixing Brackets for 86/150mm Sides																
				Mounting	Part#															
270mm	86mm	White	105-F12E-270	Screw-On	105-L1M															
300mm	86mm	White	105-F12E-300	10mm Dowels	105-L1MM															
350mm	86mm	White	105-F12E-350	10mm Expansion Dowels	105-L2MC															
400mm	86mm	White	105-F12E-400	<table border="1"> <thead> <tr> <th colspan="2">Lateral Rail System</th> </tr> <tr> <th>Length</th> <th>Part#</th> </tr> </thead> <tbody> <tr> <td>350mm</td> <td>105-HY350</td> </tr> <tr> <td>400mm</td> <td>105-HY400</td> </tr> <tr> <td>450mm</td> <td>105-HY450</td> </tr> <tr> <td>500mm</td> <td>105-HY500</td> </tr> <tr> <td>550mm</td> <td>105-HY550</td> </tr> </tbody> </table>			Lateral Rail System		Length	Part#	350mm	105-HY350	400mm	105-HY400	450mm	105-HY450	500mm	105-HY500	550mm	105-HY550
Lateral Rail System																				
Length	Part#																			
350mm	105-HY350																			
400mm	105-HY400																			
450mm	105-HY450																			
500mm	105-HY500																			
550mm	105-HY550																			
450mm	86mm	White	105-F12E-450																	
500mm	86mm	White	105-F12E-500																	
550mm	86mm	White	105-F12E-550																	

### Product Marking Jig

Description	Part#
Marking Jig for 86mm/150mm Metal Box Drawer System	105-A3M1

View this product online at <https://marathonhardware.com/pd/webkit4359>



## Technical Documents



### Metal Box Drawer System 150mm Height Sides



### Product Features:

- Epoxy Finish: White
- Self-Closing
- Double stop positions
- 2-D front
- Screw-on bottom panel
- Lengths: 270-550mm
- Load capacity: 25kg

### Metal Box Drawer Kit Included Parts

- One pair of Full Extension Metal Side Rails
- One pair of Metal Box Sides 150mm Height



### Metal Box Drawer Kit

Length (mm)	Side Height	Colour	Part#	Front Fixing Brackets for 86/150mm Sides		
				Mounting	Part#	
270mm	150mm	White	105-F14K-270	Screw-On	105-L1M	
300mm	150mm	White	105-F14K-300	10mm Dowels	105-L1MM	
350mm	150mm	White	105-F14K-350	10mm Expansion Dowels	105-L2MC	
400mm	150mm	White	105-F14K-400	<b>Lateral Rail System</b>		
450mm	150mm	White	105-F14K-450	Length	Part#	
				350mm	105-HY350	
				400mm	105-HY400	
				450mm	105-HY450	
				500mm	105-HY500	
				550mm	105-HY550	

### Product Marking Jig

Description	Part#
Marking Jig for 86mm/150mm Metal Box Drawer System	105-A3M1

View this product online at <https://marathonhardware.com/pd/webkit4359>

