



Metalbox 150mm x 550mm White, Screw-on Bottom, Screw-in Front Bracket

Part Number: webkit4444

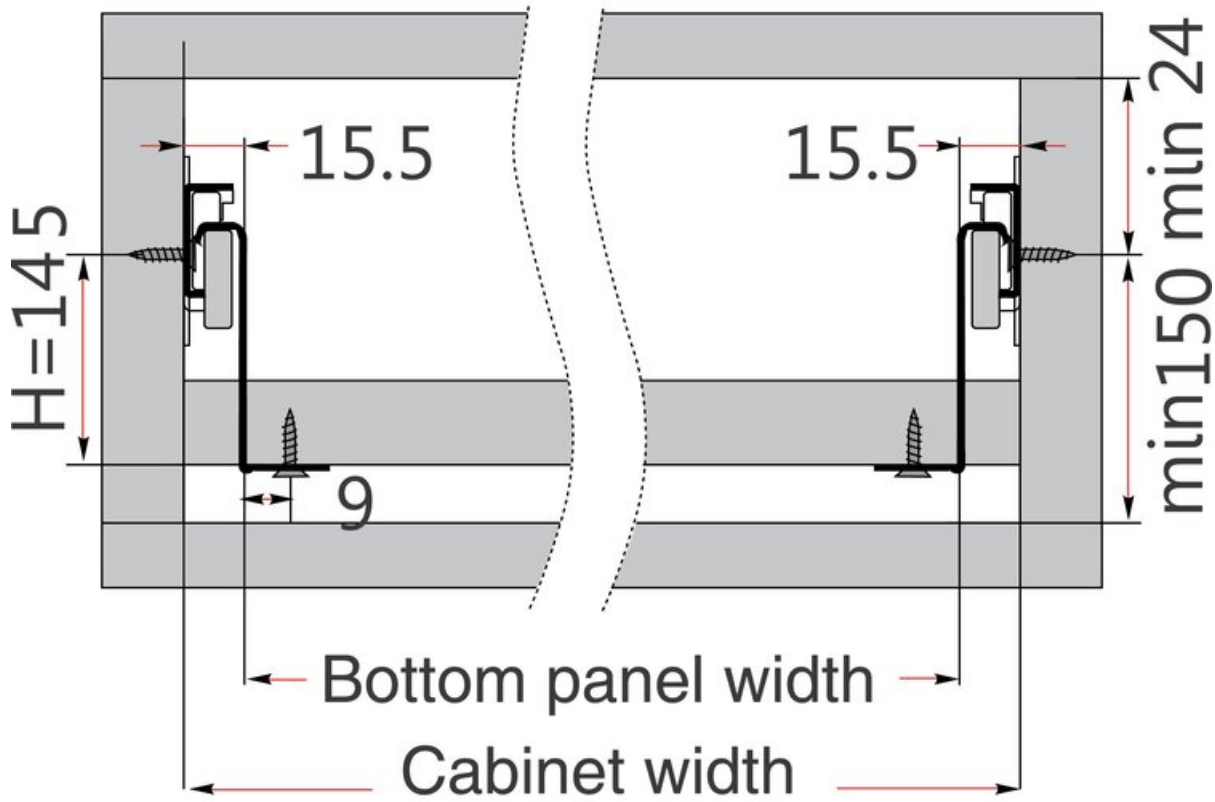
	Included in this webkit	Qty Required
	Metal Box 550x150mm White Part #: 105-F14K-550	1
	Front Fixing Brackets Part #: 105-L1M	1

Metalbox 150mm Drawer Kit with Screw-On Front Bracket

The single wall Metalbox Drawer System is fast and easy to assembly. Works equally well in residential or commercial projects.

Closing Type	Self-Close
Colour	White
Drawer Height	150 mm
Drawer Side Height	150 mm
Drawer System	Metalbox
Lateral Rail Type	No Rail
Length	550mm (22in)
Load Capacity	25kg (55lbs)
Mounting Type (Bottom Panel)	Screw on
Mounting Type (Front Bracket)	Screw-On

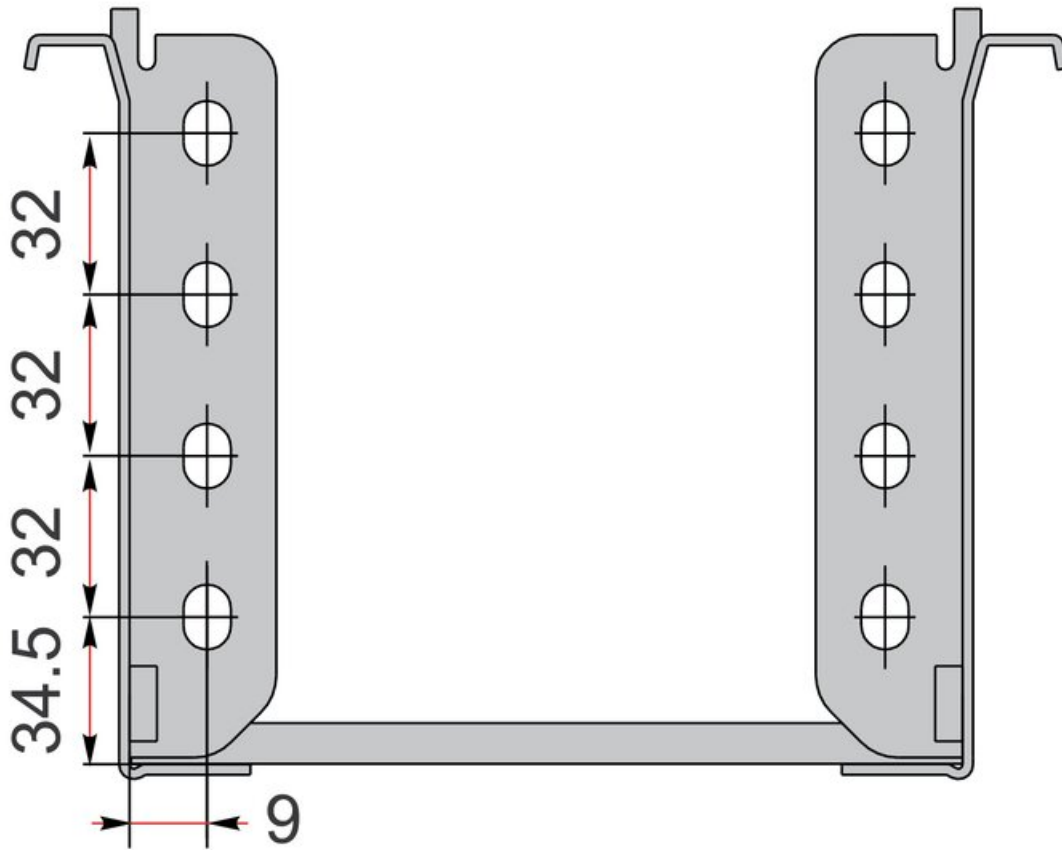
Technical Documents



View this product online at <https://marathonhardware.com/pd/webkit4444>



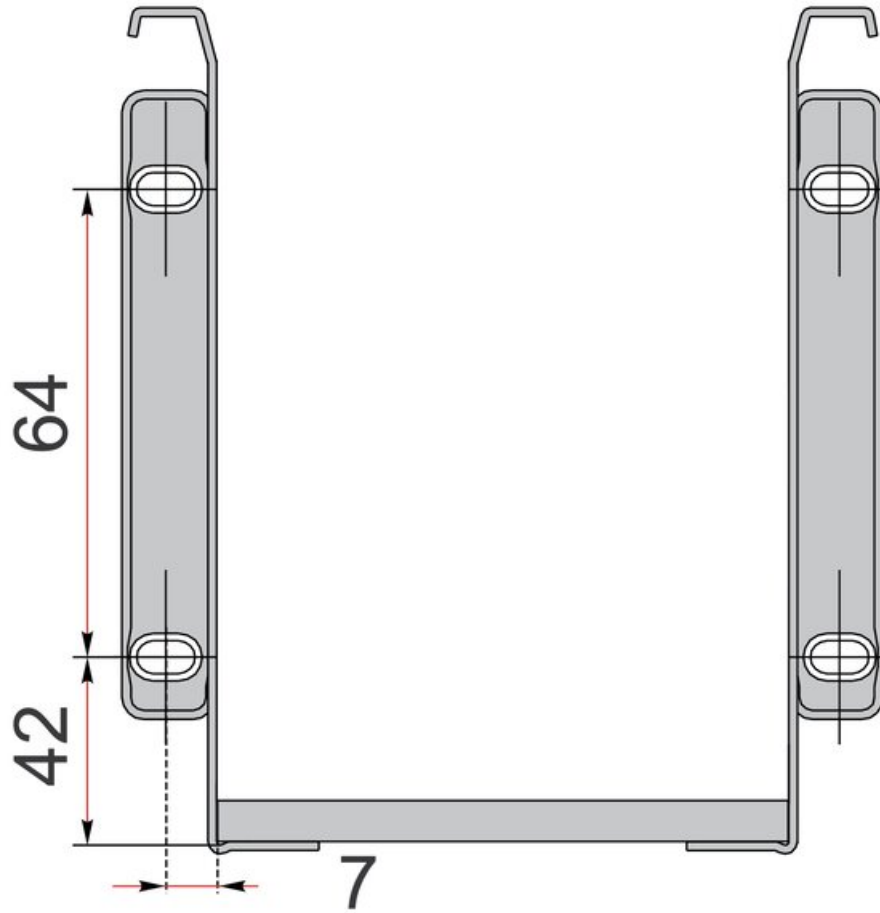
Back



View this product online at <https://marathonhardware.com/pd/webkit4444>

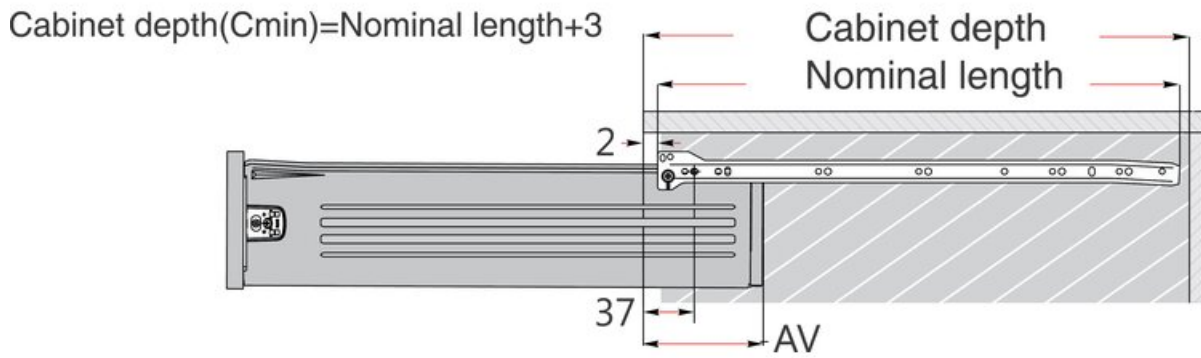


Front Connector



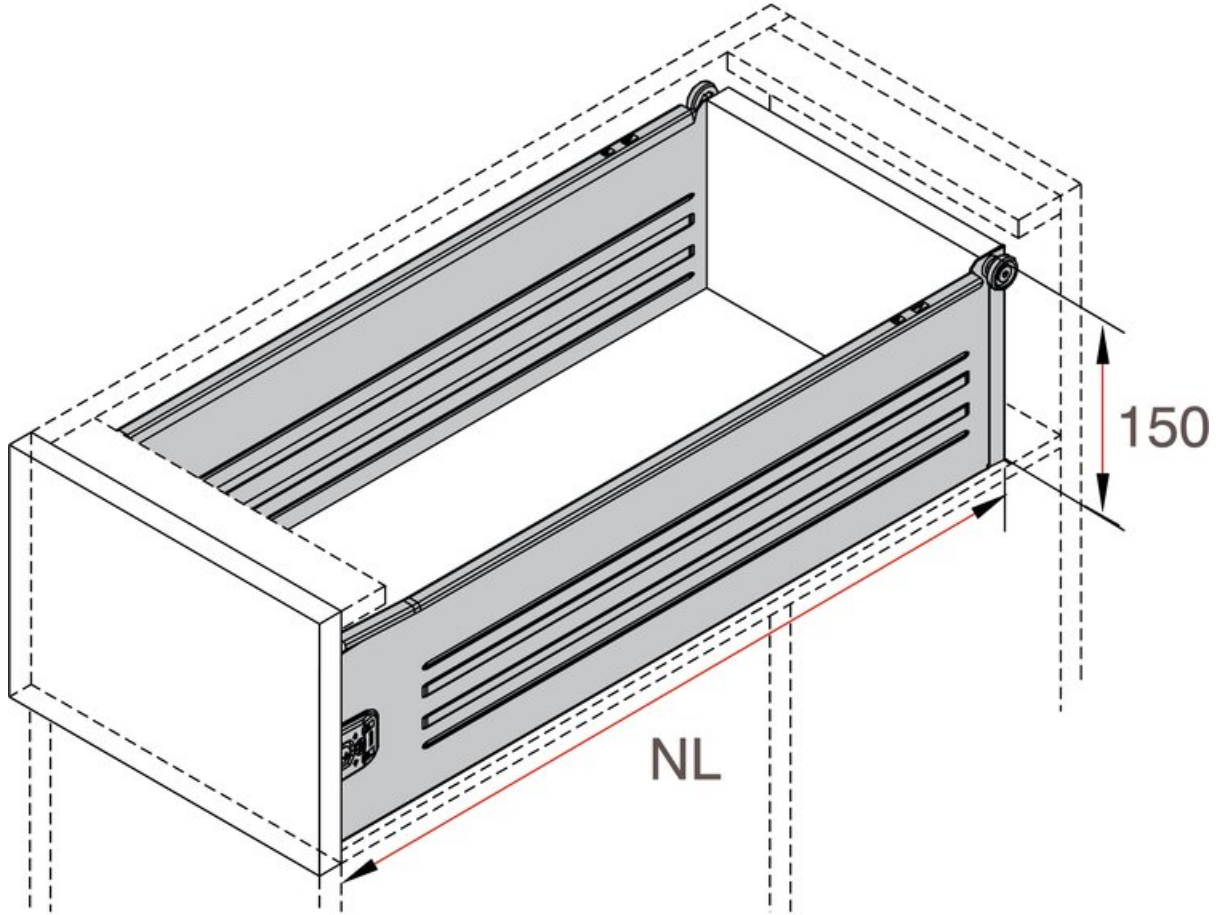
View this product online at <https://marathonhardware.com/pd/webkit4444>

Technical Documents



View this product online at <https://marathonhardware.com/pd/webkit4444>

Technical Documents

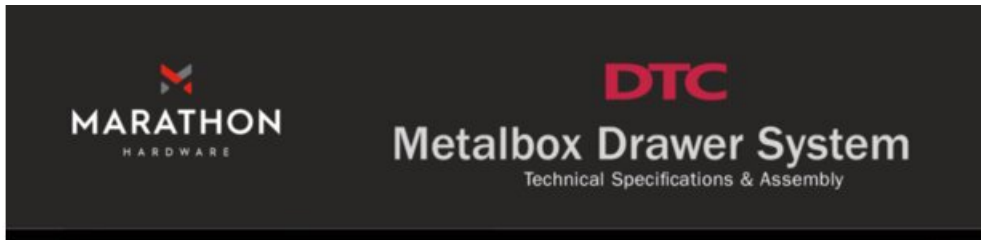


NL Nominal length

View this product online at <https://marathonhardware.com/pd/webkit4444>



Technical Documents



Metal Box Drawer System 150mm Height Sides



Product Features:

- Epoxy Finish: White
- Self-Closing
- Double stop positions
- 2-D front
- Screw-on bottom panel
- Lengths: 270-550mm
- Load capacity: 25kg

Metal Box Drawer Kit Included Parts

- One pair of Full Extension Metal Side Rails
- One pair of Metal Box Sides 150mm Height



Metal Box Drawer Kit

Length (mm)	Side Height	Colour	Part#
270mm	150mm	White	105-F14K-270
300mm	150mm	White	105-F14K-300
350mm	150mm	White	105-F14K-350
400mm	150mm	White	105-F14K-400
450mm	150mm	White	105-F14K-450
500mm	150mm	White	105-F14K-500
550mm	150mm	White	105-F14K-550

Front Fixing Brackets for 86/150mm Sides

Mounting	Part#
Screw-On	105-L1M
10mm Dowels	105-L1MM
10mm Expansion Dowels	105-L2MC

Lateral Rail System	
Length	Part#
350mm	105-HY350
400mm	105-HY400
450mm	105-HY450
500mm	105-HY500
550mm	105-HY550

Product Marking Jig

Description	Part#
Marking Jig for 86mm/150mm Metal Box Drawer System	105-A3M1

View this product online at <https://marathonhardware.com/pd/webkit4444>

