







Legacy Prima Internal Metal Drawer with Glass Sides, 88mm Height, 500mm Length, Silk White

Part Number: webkit-legacy1051

	Included in this webkit	Qty Required
	Front Fixing Brackets Silk White Part #: 105-HT11012-SW	1
	Drawer Front Internal 1100mm Silk White, Standard Part #: 105-HT10022-SW	1
	Legacy Prima Glass Drawer System 500mm Silk White Part #: 105-HG88-SW500	1
	Boxesides 500mm Glass Part #: 105-HG88-CGL500	1

DTC Legacy Prima Internal Metal Drawer with Glass Sides, 88mm Height, 500mm Length, Silk White

Legacy Prima is a slim box drawer system featuring premium materials, technology and design. Synchronized soft-close slide with 40kg load capacity.

Closing Type	Soft-Close
Colour	Silk White
Drawer Side Height	88 mm
Drawer System	Legacy Prima
Drawer Type	Internal Drawer
Length	500mm (20in)
Load Capacity	40kg (88lbs)
Material	Premium Metal
Slide Extension Type	Full Extension
Slide Type	Synchronized

Product Description

Legacy Prima is the new name for our existing high-quality drawer system. Available with dozens of options to fully customize your project and fit it to the exact specifications and needs of your client. Seven lengths and four available heights, including sleek and stylish glass options on two of the heights, give you the option to create a high end space designed for your client's

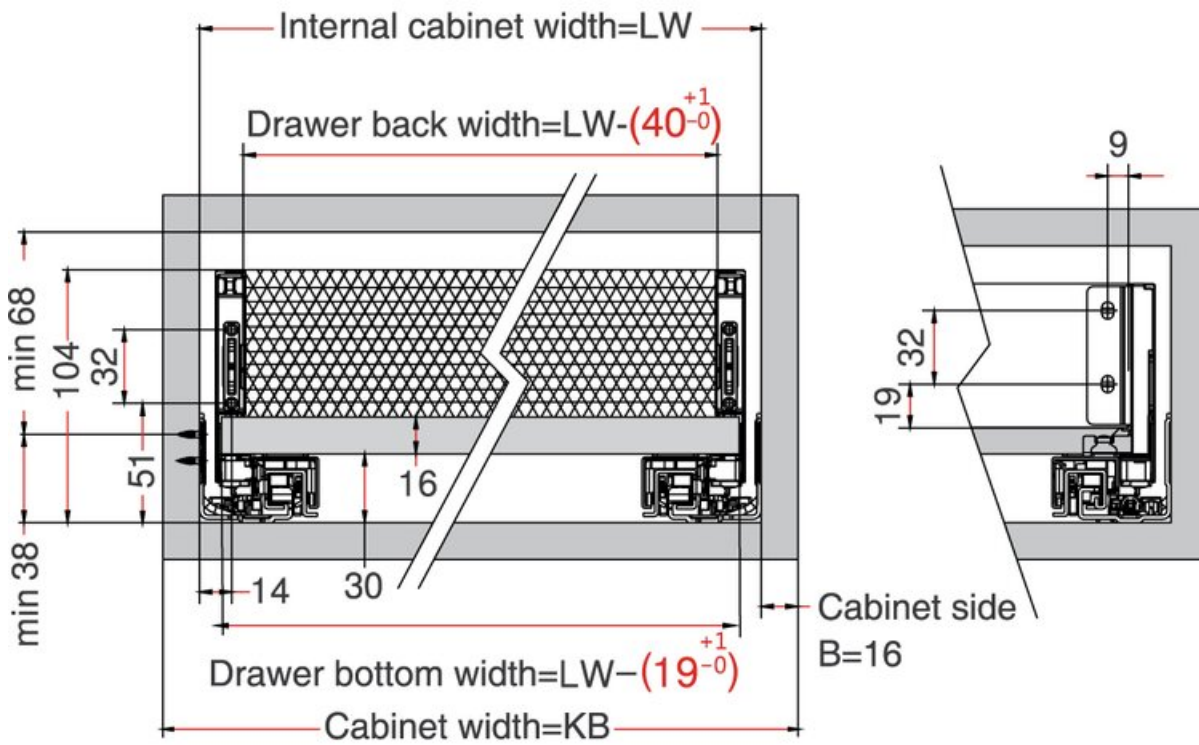
lifestyle.

Product Advantages

- Maximize internal storage and usable space
 - Convey contemporary style and design
 - Synchronized soft-close slides for ultra smooth and silent motion
 - High dynamic load capacity of 40 kg (88 lbs)
 - Range of colours that match and compliment today's modern looks
 - 3 heights, 7 lengths and a complete range of accessories in glass and metal
 - Tool-free assembly and installation
 - No extra machining required on bottom panel
-

Technical Documents

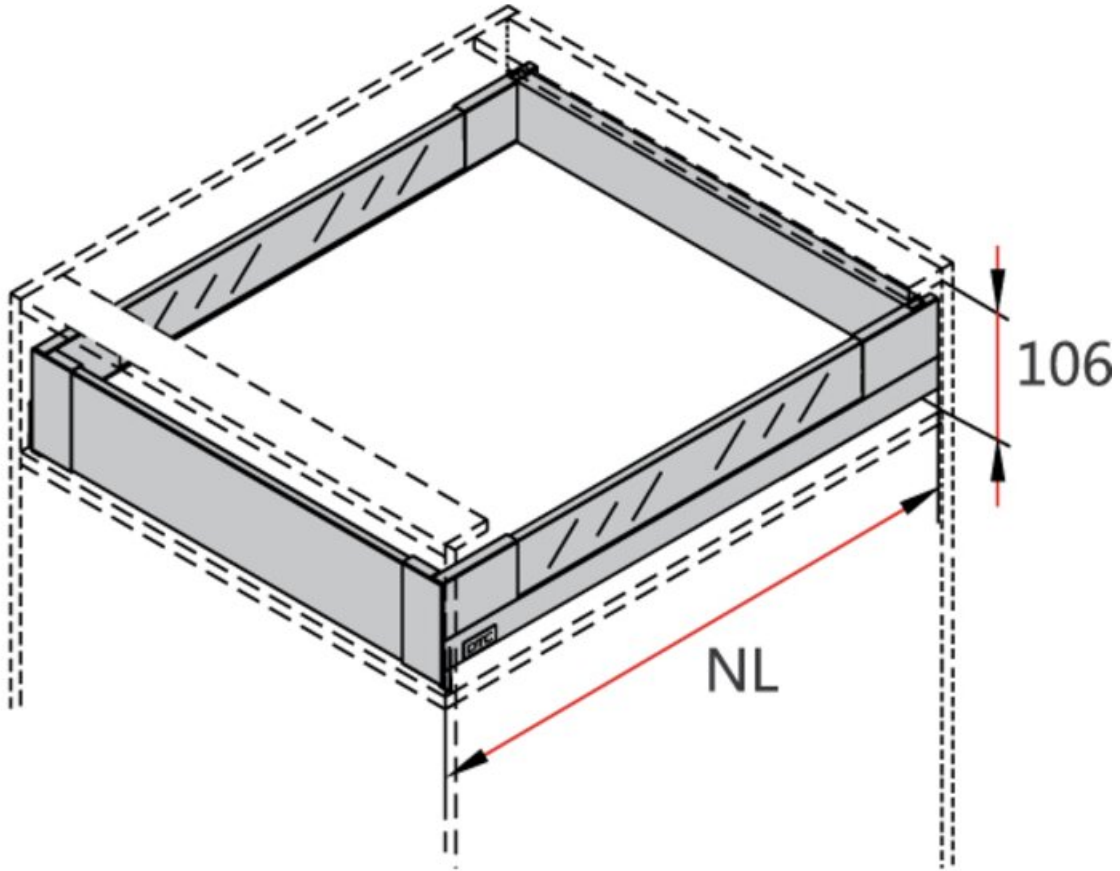
LW=Internal Cabinet Width



View this product online at <https://marathonhardware.com/pd/webkit-legacy1051>



Technical Documents

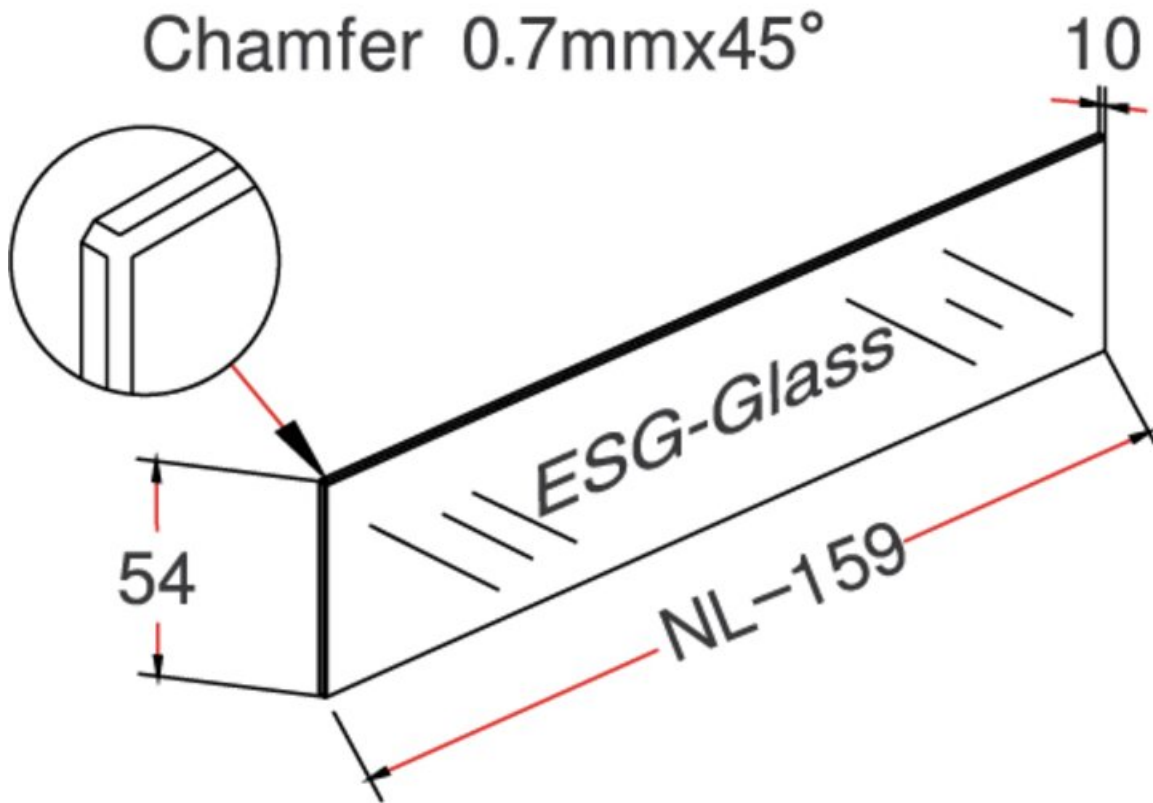


NL:Nominal length

View this product online at <https://marathonhardware.com/pd/webkit-legacy1051>



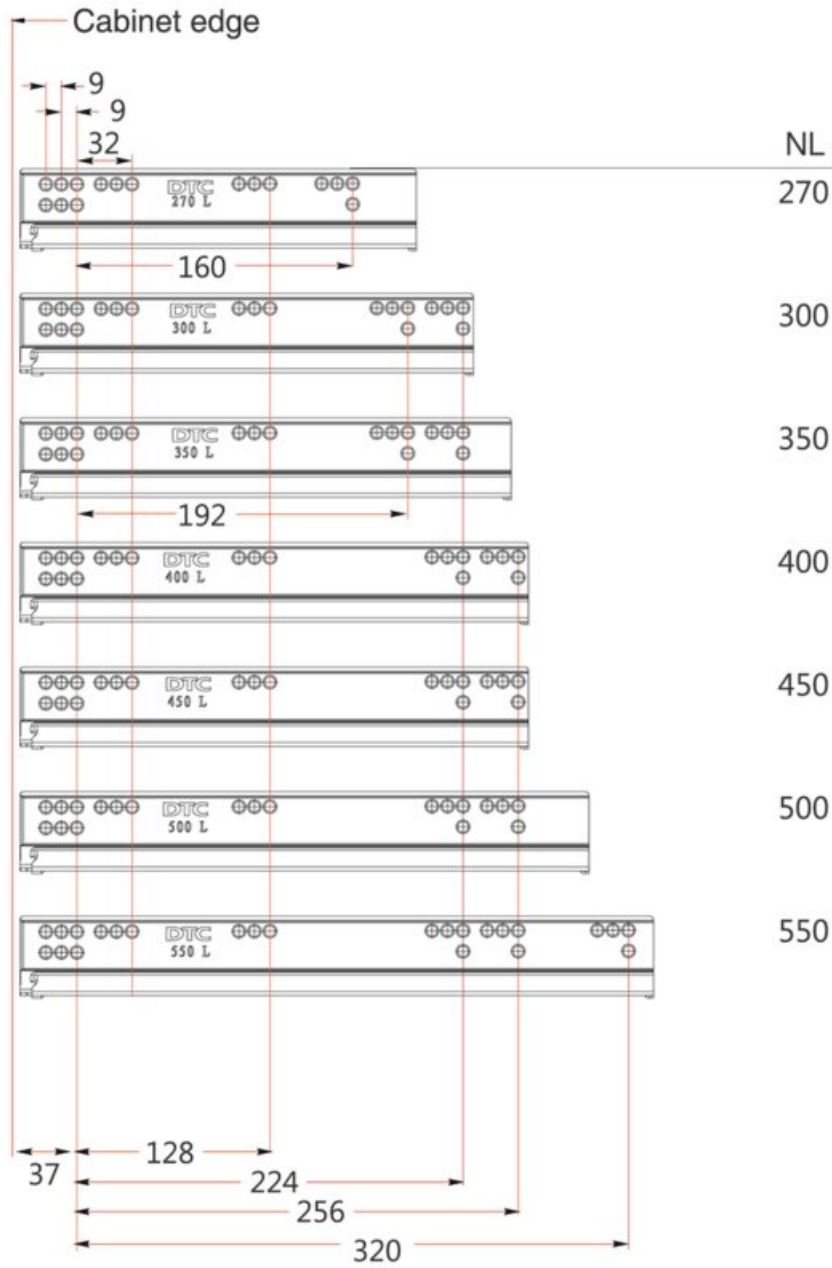
10mm Glass-boxside



View this product online at <https://marathonhardware.com/pd/webkit-legacy1051>



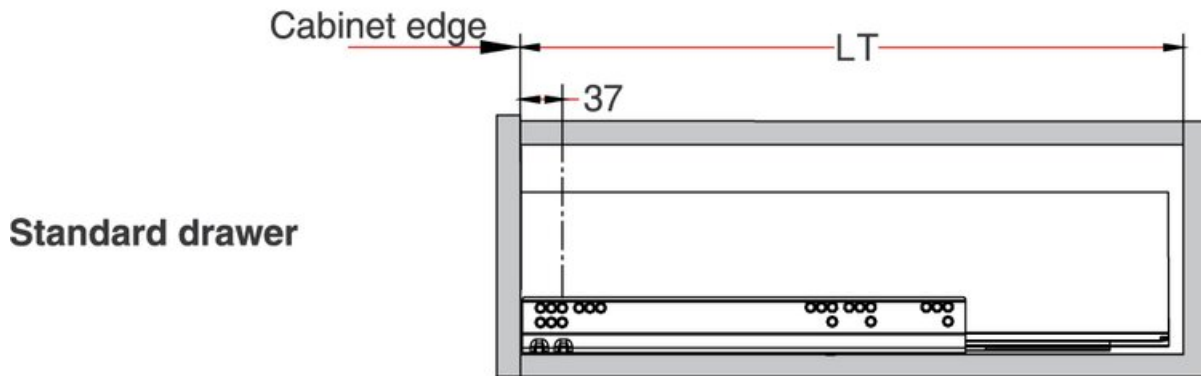
Technical Documents



View this product online at <https://marathonhardware.com/pd/webkit-legacy1051>

Technical Documents

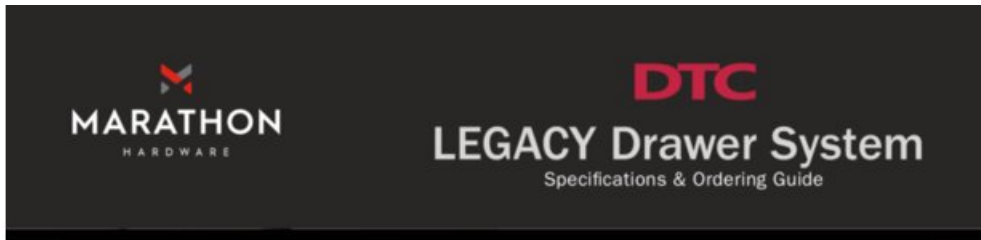
NL=Nominal Slide Length
LT=Internal Cabinet Depth
LT=NL+3



View this product online at <https://marathonhardware.com/pd/webkit-legacy1051>

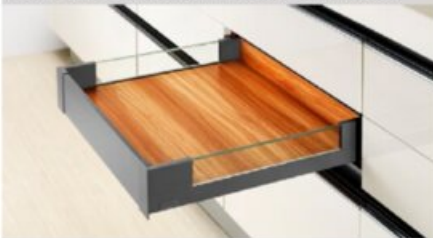


Technical Documents



Internal Glass Drawer With Metal Front, 88mm M Height

Product Features

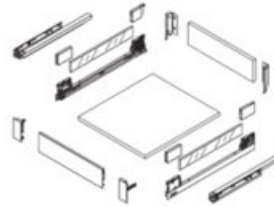


- Modern Straight Slim box drawer system
- Silent system guarantees quiet, smooth run
- High dynamic load capacity: 40/60kg (88/132lbs)
- Concealed slide with full extension
- Tool free assembly and removal of drawer
- 3D Adjustment

To make this unit, order Standard Drawer plus parts listed below

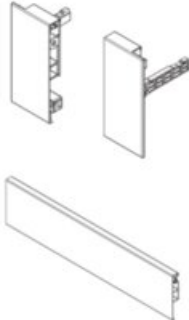
Order Glass Sides Drawer Kit with 88mm M height sides plus these parts:

- One pair of internal front fixing brackets for standard height metal internal drawer fronts
- One standard height colour-matched 1100mm length metal internal drawer front, which can be cut to match your drawer width



Standard Drawer Kit (Matte Grey) Ordering Guide

Finish	Silk White	Qty
Matte Grey	105-HT1012-GM	60
Silk White	105-HT1012-SW	60
Matte Grey	105-HT10022-GM	20
Silk White	105-HT10022-SW	20



800 840 1228 MARATHONHARDWARE.COM

View this product online at <https://marathonhardware.com/pd/webkit-legacy1051>

