

Locking Device 6 Way for 105-DS10 Slides



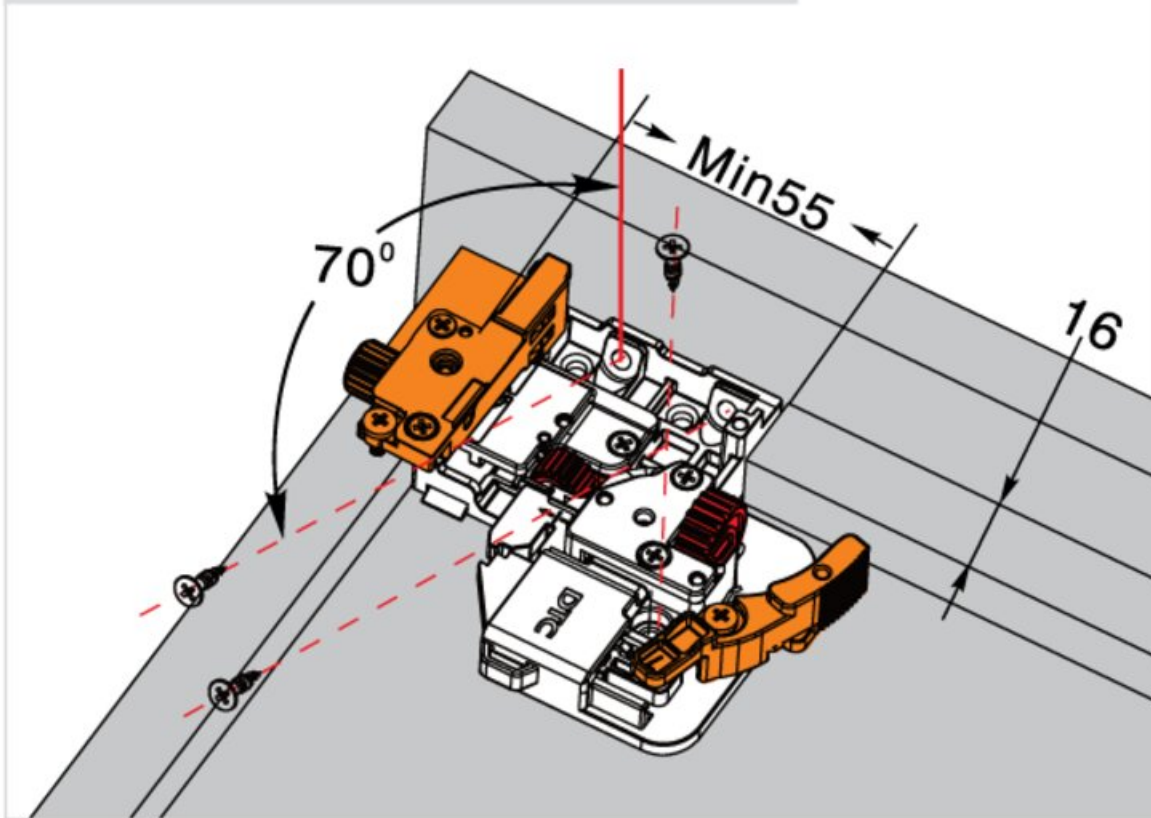
Part Number: 105-ODSD6-DS10H

These locking clips with 6-way adjustment are ideal for inset drawers, as the additional depth-adjustment enables perfect alignment.

Closing Type -----	Soft-Close
Slide Type -----	Undermount

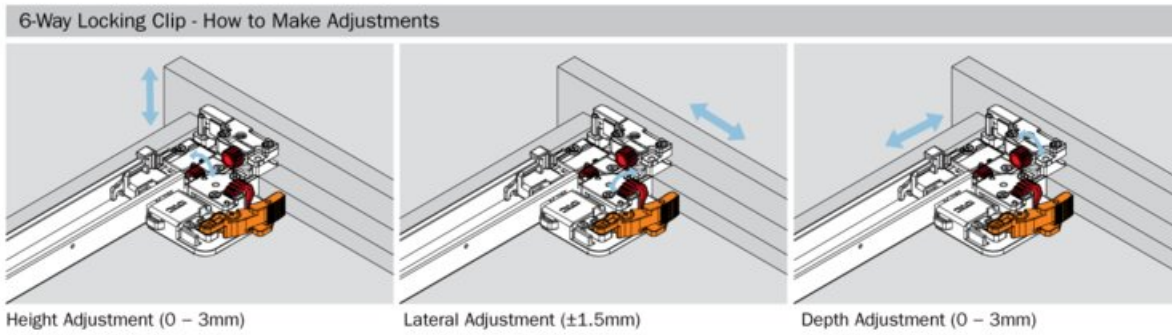
Locking Device Installation (mm)

6-Way Locking Clip

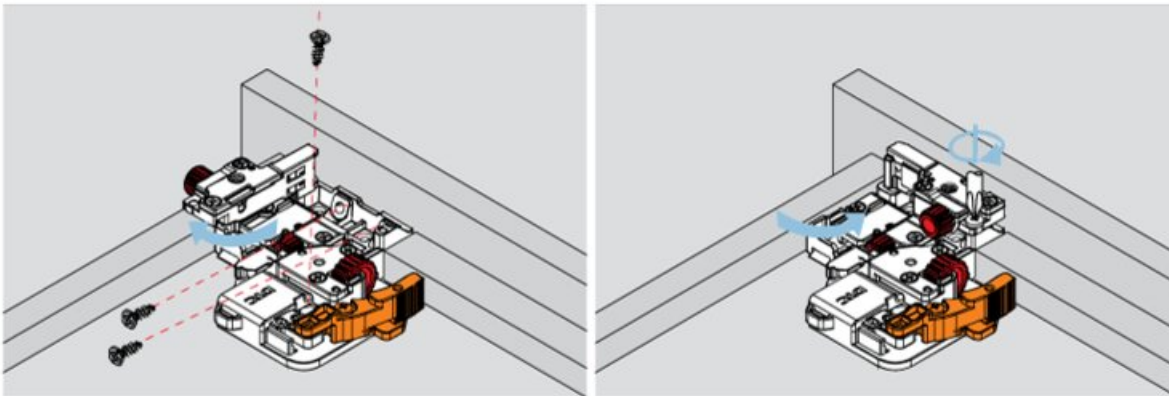


View this product online at <https://marathonhardware.com/pd/105-ODSD6-DS10H>

Technical Documents



View this product online at <https://marathonhardware.com/pd/105-ODSD6-DS10H>

Technical Documents**6-Way Locking Clip Installation**

Remove screw on top adjustment arm and pivot out of the way.
Fix the locking device onto the drawer bottom using two screws.
Swing the adjusting part back into place and retighten holding screw.

View this product online at <https://marathonhardware.com/pd/105-ODSD6-DS10H>

