



Slide 500mm Undermount Soft-Close 40/kg

Part Number: 105-DS10-500H

DTC DS10 Undermount Slide, Soft-Close, 500mm

DTC's latest generation Concealed Undermount Slides featuring Soft-Close, Full Extension and a 4-way Adjustment Locking Clip

 40 kg load capacity 4-way adjustment Silent and smooth runner Tested to 80,000 cycles

Closing Type	Soft-Close
Length	500mm (20in)
Load Capacity	40kg (88lbs)
Mounting Type	Screw-In
Slide Extension Type	Full-Extension
Slide Type	Undermount

Product Description

The DTC DS10 Undermount Slide moves a 40kg (88 lbs) dynamic load smoothly and quietly while guaranteeing excellent soft-close performance. Included with a pair of slides is a 4-way adjustment front locking clip. These clips feature height adjustment of 0-3mm and lateral side adjustment of ±1.5mm. Your installers will appreciate the ease with which they can make your drawer fronts align. For inset drawers, we recommend switching to the optional 6-way adjustment clip, with the additional depth adjustment, enabling final drawer front alignment.

DTC's DS10 Undermount Slide was tested in an independent labratory under ANSI/KCMA A161.1 - 2017 Section 7.1 Drawer Operation Tests to 40,000 cycles with a complete passing grade. The DS-10 slide was further tested by TUV Rheinland (European standard) to 80,000 cycles, twice the US standard, receiving a complete passing grade.

Product Advantages

- Load Capacity of 40kg (88 lbs)
- 4-Way Clip provides for Height and Lateral Side Adjustment
- Height Adjustment ranges from 0mm to 3mm
- Lateral Side Adjustment ranges from ±1.5mm
- 6-Way Clip (optional) enables Depth Adjustment from 0-3mm
- Tool free assembly and removal of drawer.
- Silent system guarantees smooth run without noise.

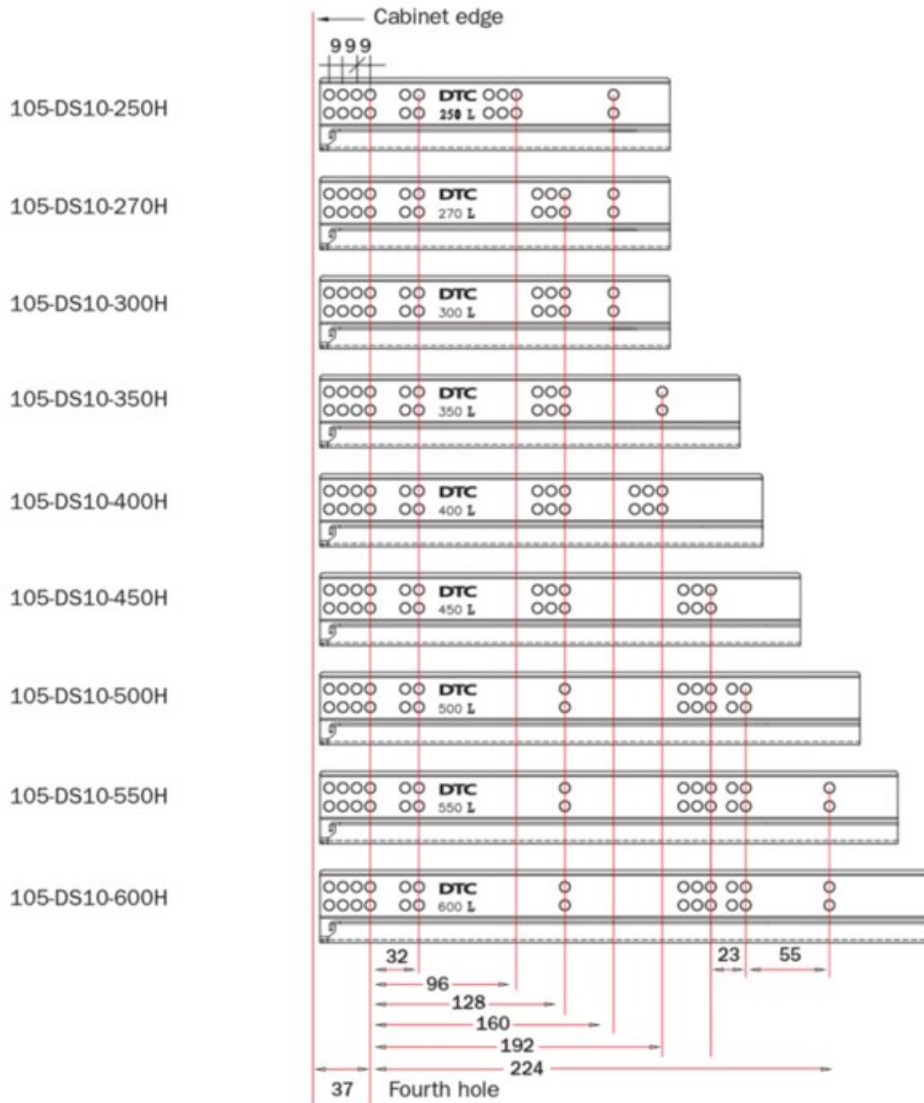
Included Products

All DTC slides include front locking clips.



Technical Documents

Drillings and Fixing Position for Standard Drawers (mm)



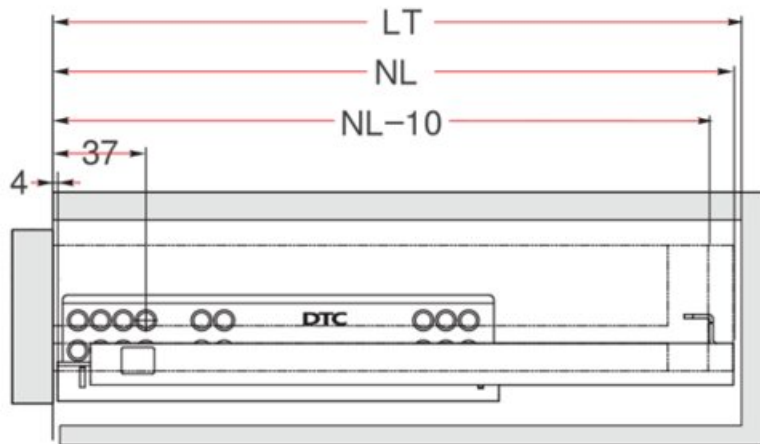
View this product online at <https://marathonhardware.com/pd/105-DS10-500H>

Installation Dimensions - Side View (mm)

NL = Nominal Slide Length
LT = NL + 3

LT = Internal Cabinet Depth

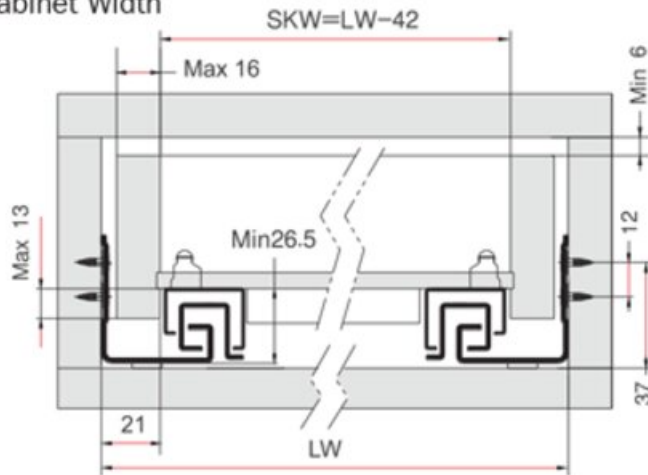
Standard Drawer



View this product online at <https://marathonhardware.com/pd/105-DS10-500H>

Installation Dimensions - Front View (mm)

SKW = Internal Drawer Width
LW = Internal Cabinet Width



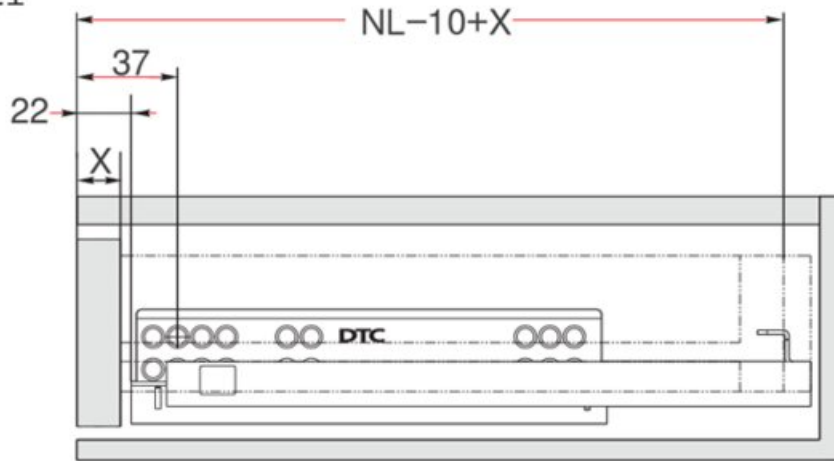
View this product online at <https://marathonhardware.com/pd/105-DS10-500H>

Installation Dimensions - Side View (mm)

NL = Nominal Slide Length
LT = NL + 21

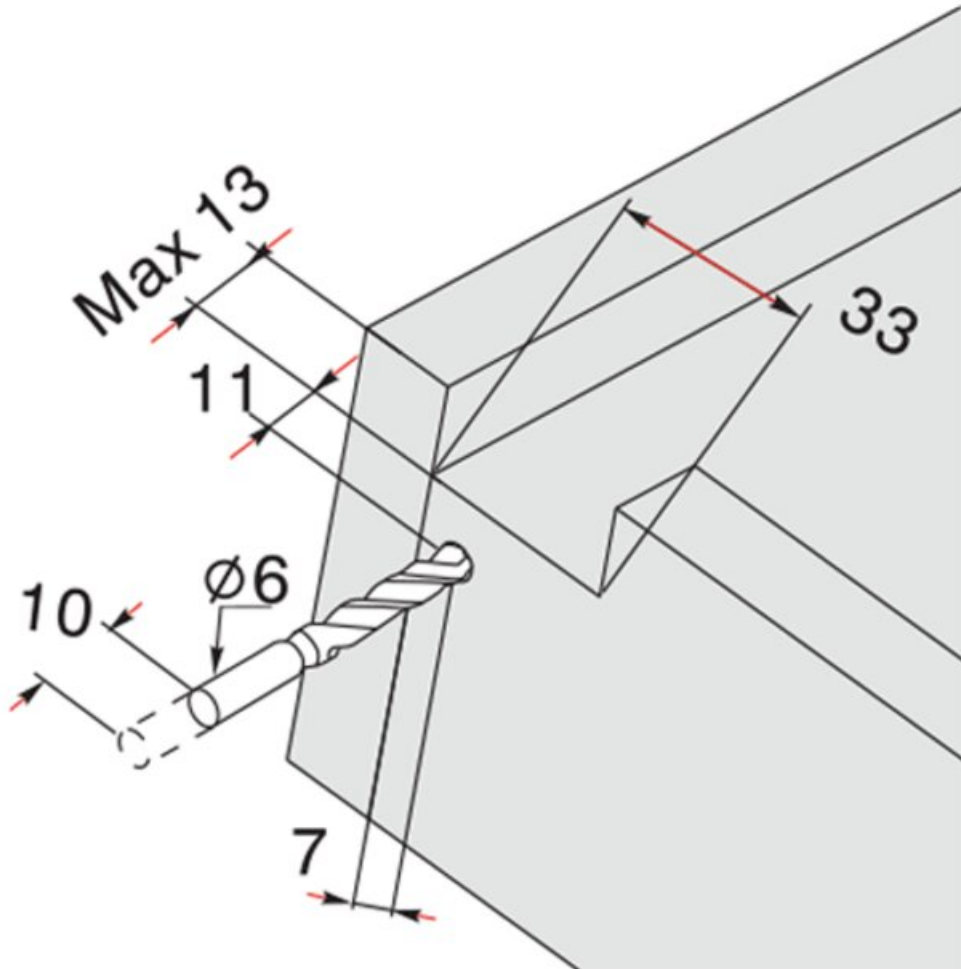
LT = Internal Cabinet Depth

Inset Drawer



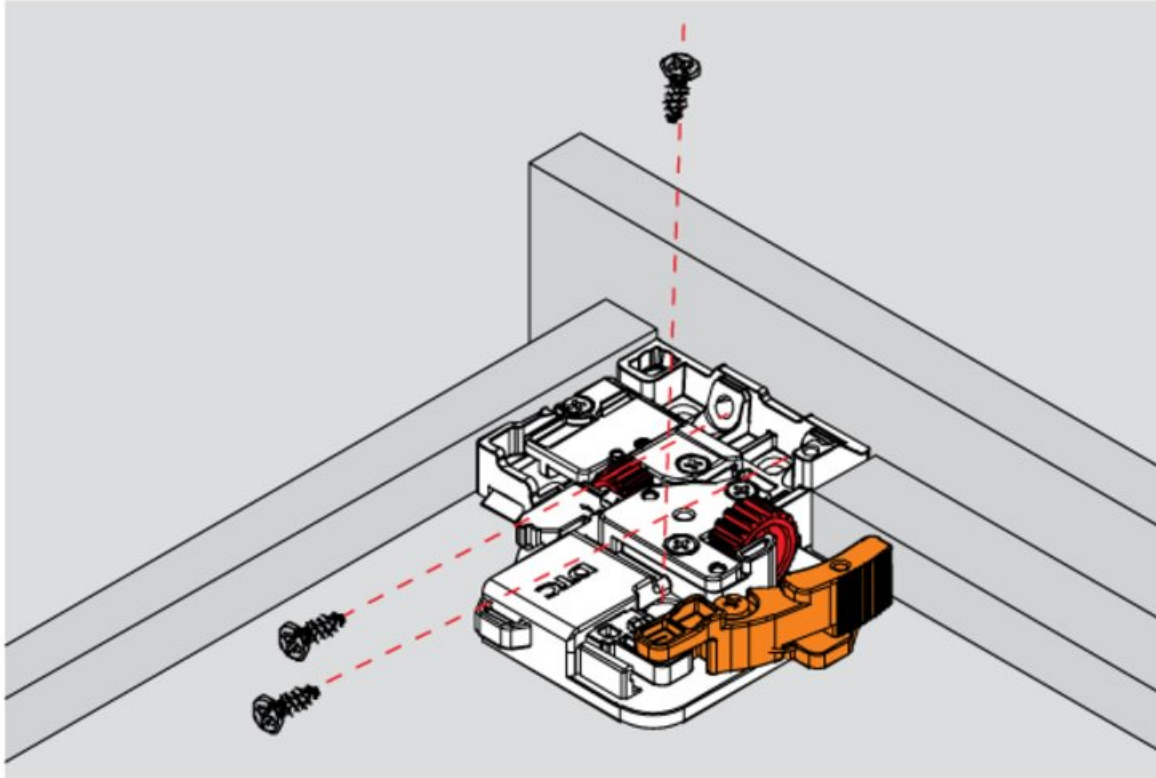
View this product online at <https://marathonhardware.com/pd/105-DS10-500H>

Drawer Back Preparation (mm)



View this product online at <https://marathonhardware.com/pd/105-DS10-500H>

4-Way Locking Clip Installation

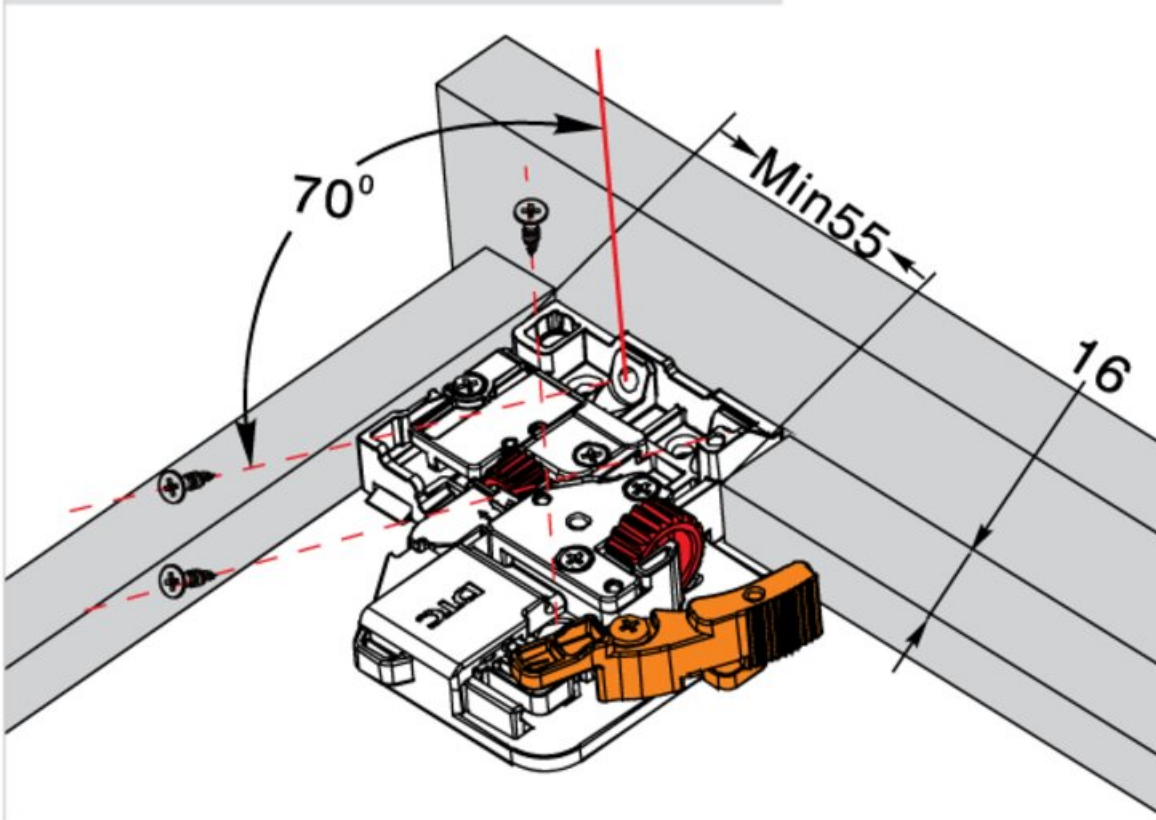


Fix the locking clip onto the drawer bottom using two screws.

View this product online at <https://marathonhardware.com/pd/105-DS10-500H>

Locking Device Installation (mm)

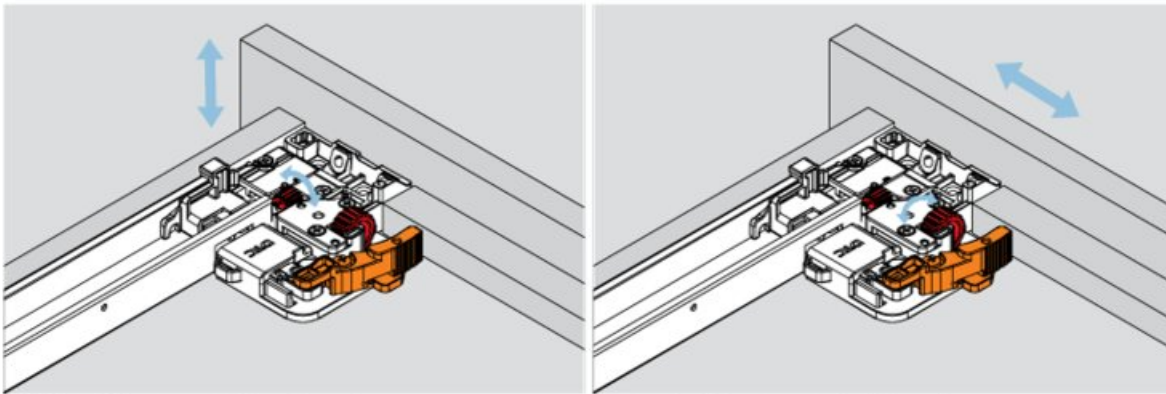
4-Way Locking Clip



View this product online at <https://marathonhardware.com/pd/105-DS10-500H>

Technical Documents

4-Way Locking Clip - How to Make Adjustments



Height Adjustment (0 – 3mm)

Lateral Adjustment (± 1.5 mm)

View this product online at <https://marathonhardware.com/pd/105-DS10-500H>



Technical Documents



MARATHON
HARDWARE

DS10 UNDERMOUNT



800.840.1228 | MARATHONHARDWARE.COM



DTC

INTRODUCING DS10 UNDERMOUNT SLIDES

The DTC DS10 Undermount Slide silently moves a 40 kg dynamic load while guaranteeing smooth soft-close performance. The DS10 maintains superior stability of the drawer and is easy to open with a low pull-force.

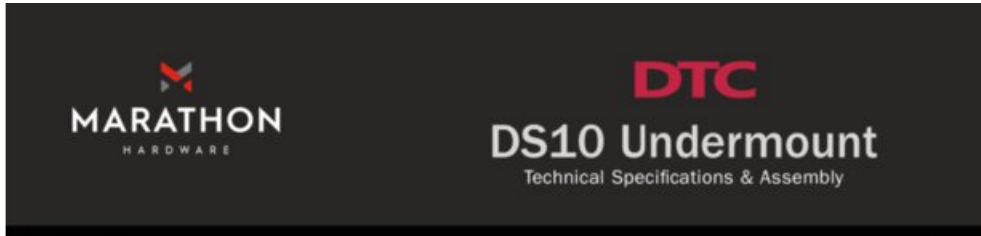
Product Features:

- Guaranteed silent smooth motion
- Dynamic load capacity 40kg (88lb)
- Height adjustment: (0-3mm)
- Lateral adjustment: (±1.5mm)
- 4-way adjustment clips (Included)
- 6-way adjustment clips (Optional)
- Limited Lifetime Warranty

View this product online at <https://marathonhardware.com/pd/105-DS10-500H>



Technical Documents



DS10 Undermount

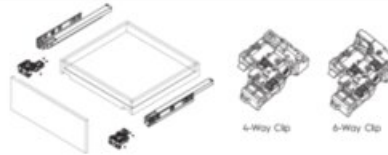


Standard Drawer Kit (packaged as a complete set)

Product Features

- 4-Way Clip provides for Height and Lateral Side Adjustment
- Height Adjustment ranges from 0mm to 3mm
- Lateral Side Adjustment ranges from ± 1.5 mm
- 6-Way Clip (optional) enables Depth Adjustment from 0-3mm
- Tool free assembly and removal of drawer.
- Silent system guarantees smooth run without noise.
- Load Capacity of 40kg (88lbs)

- Includes 1 set of undermount slides
- All DTC slides include front 4-Way locking clips.
- Screw kit



DS10 Undermount Ordering Guide

Length (mm/Inch)	Matte Grey	Set/Box
250mm (10")	105-DS10-250	10
270mm (11")	105-DS10-270	10
300mm (12")	105-DS10-300	10
350mm (14")	105-DS10-350	10
400mm (16")	105-DS10-400	10
450mm (18")	105-DS10-450	10
500mm (20")	105-DS10-500	10
550mm (22")	105-DS10-550	10
600mm (24")	105-DS10-600	10

DS10 Undermount Locking Clips Ordering Guide

Description	Part#	Set/Box
4-Way Adjustable locking clips	105-ODSD4-DS10H	50
6-Way Adjustable locking clips	105-ODSD6-DS10H	50

800.840.1228 / MARATHONHARDWARE.COM

View this product online at <https://marathonhardware.com/pd/105-DS10-500H>

