

# SIMLEAD Undermount Slide 40kg Load, 400mm Length

**Part Number: KS-F86-400**



King Slide SIMLEAD Undermount Slide, Full-Extension, Push-Open & Soft-Close, 400mm (16in), 40kg load

The SIMLEAD Undermount Slide for Wooden Drawers is the world's only fully-integrated concealed drawer slide with Push-Open and Soft-Close.

Closing Type	Push-Open / Soft-Close
Length	400mm (16in)
Load Capacity	40kg (88lbs)
Mounting Type	Screw-In
Slide Extension Type	Full-Extension
Slide Type	Undermount

## Product Description

The SIMLEAD Undermount Slide is the world's only fully-integrated undermount slide with Push-Open and Soft-Close features.

Continuous Ever-Active Push allows the drawer front to be pushed more than once, allowing true hands free operation. Use your elbow or your knee to push on the drawer a second time and it will continue to open. With the synchronization bar installed, the Push-Open can be activated with an Any Point Touch, simply by pushing at any location on the drawer front.

The Push mechanism being fully integrated into the slide, provides best in class motion and function. This design means the spring power of the Push is already deactivated when the drawer is closing, leading to a perfect soft-close every time with no possibility of bounce back.

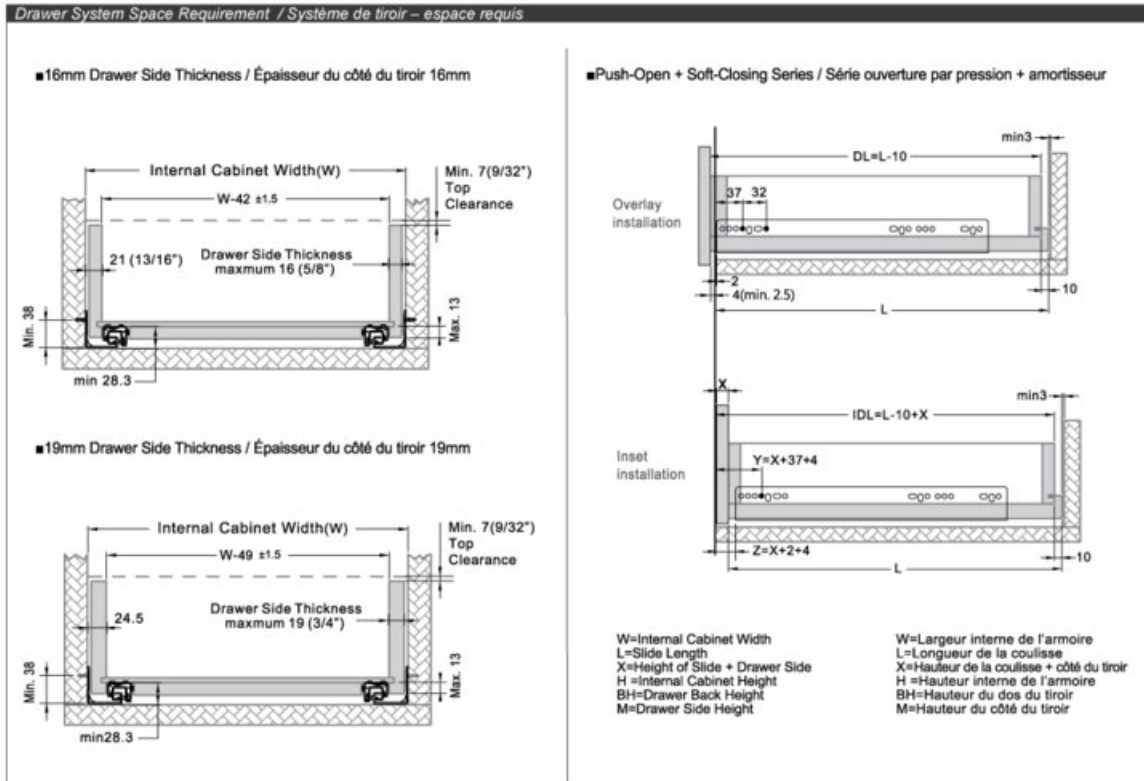
King Slide has several safety features built into the slide. First there is a switch on the bottom which turns off the Push-Open feature completely. This is excellent during transportation to job site, but also when small children are around to prevent accidental release of the drawer.

The optional Vibration Safety Device (VSD) offers an additional safety feature that locks the drawers in place in the event of the cabinet experiencing a significant vibration. This option is ideal for furniture installed in earthquake prone regions, but also has practical applications for recreational vehicles and trailers.

## Product Advantages

- Continuous Ever-Active Push
- Perfect Soft-Close
- No Bounce Back
- Any Point Touch to open
- Built-In Safety Features

## Technical Documents



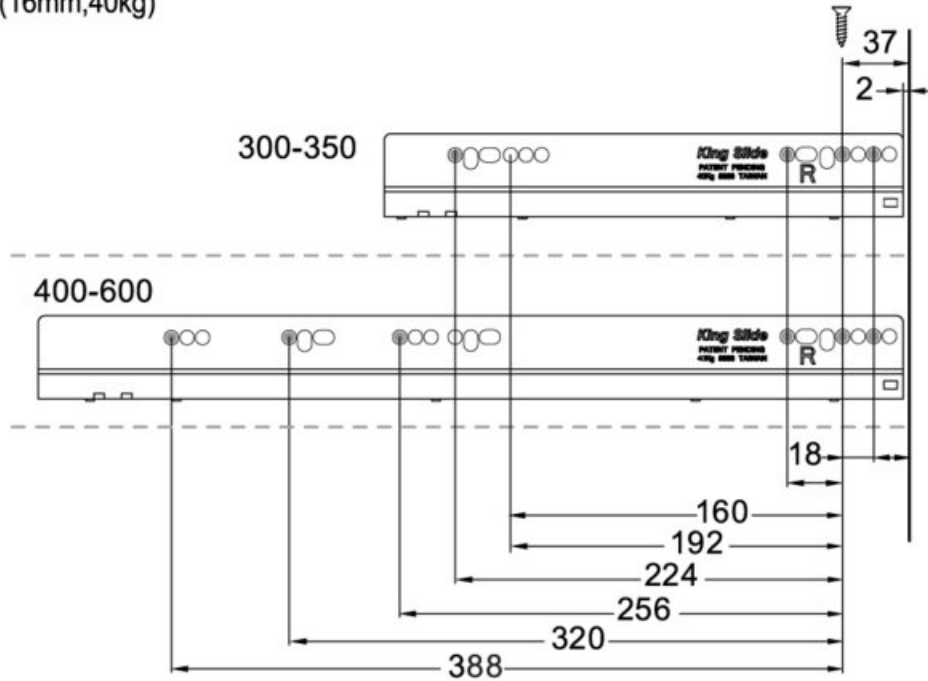
View this product online at <https://marathonhardware.com/pd/KS-F86-400>



## Technical Documents

### Slide Installation Instruction / Instructions d'installation – Coulisse

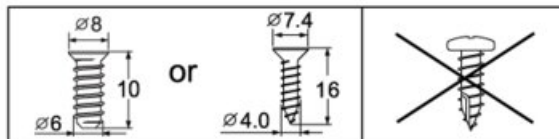
- Medium Duty Slide / Coulisses poids moyen  
(16mm,40kg)



Gray point: minimum screw required

Point gris: vis minimum requis

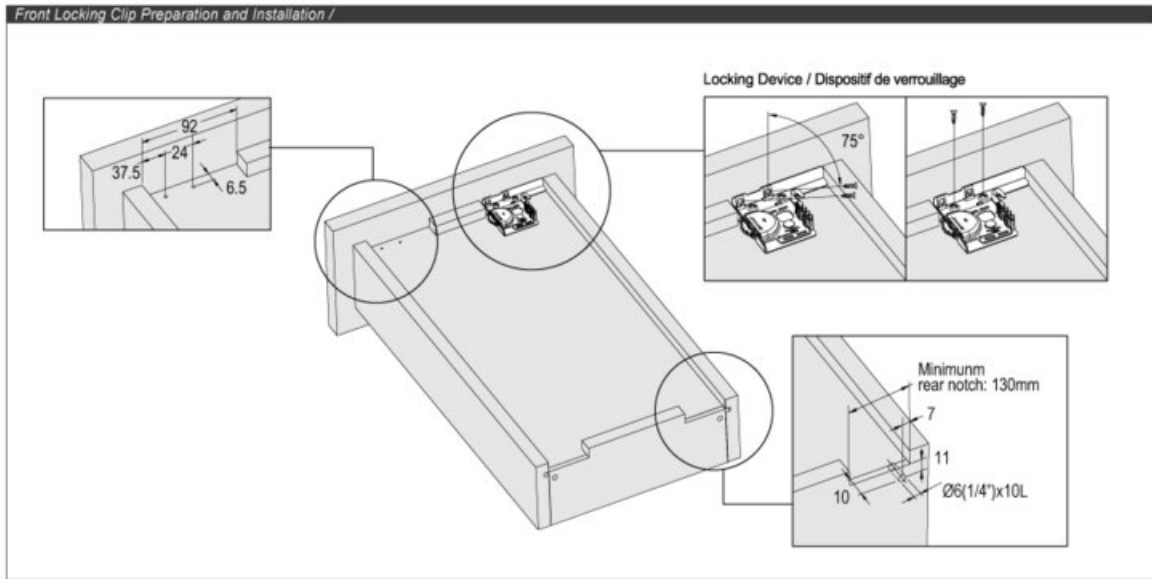
\*Install with Flat Head or Euro Screws only.



View this product online at <https://marathonhardware.com/pd/KS-F86-400>



## Technical Documents



View this product online at <https://marathonhardware.com/pd/KS-F86-400>



