

# SIMLEAD Undermount Slide 40kg Load, 550mm Length

**Part Number: KS-F86-550**



King Slide SIMLEAD Undermount Slide, Full-Extension, Push-Open & Soft-Close, 550mm (22in), 40kg load

The SIMLEAD Undermount Slide for Wooden Drawers is the world's only fully-integrated concealed drawer slide with Push-Open and Soft-Close.

Closing Type	Push-Open / Soft-Close
Length	550mm (22in)
Load Capacity	40kg (88lbs)
Mounting Type	Screw-In
Slide Extension Type	Full-Extension
Slide Type	Undermount

## Product Description

The SIMLEAD Undermount Slide is the world's only fully-integrated undermount slide with Push-Open and Soft-Close features.

Continuous Ever-Active Push allows the drawer front to be pushed more than once, allowing true hands free operation. Use your elbow or your knee to push on the drawer a second time and it will continue to open. With the synchronization bar installed, the Push-Open can be activated with an Any Point Touch, simply by pushing at any location on the drawer front.

The Push mechanism being fully integrated into the slide, provides best in class motion and function. This design means the spring power of the Push is already deactivated when the drawer is closing, leading to a perfect soft-close every time with no possibility of bounce back.

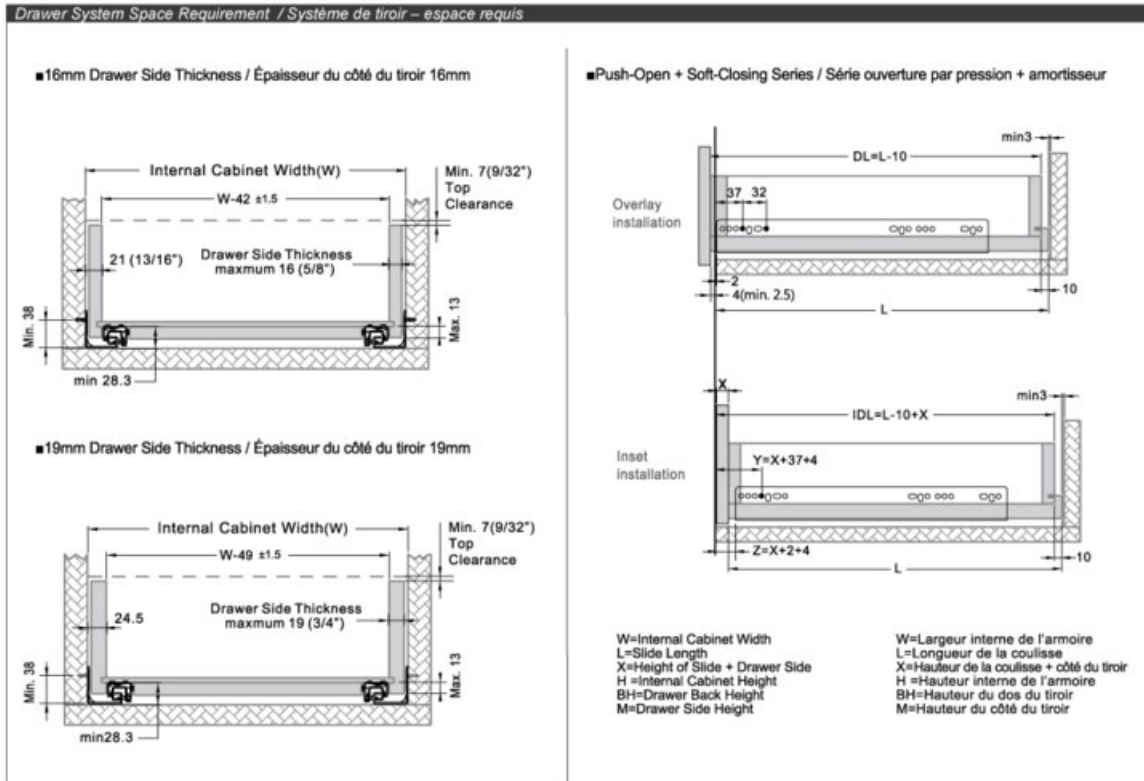
King Slide has several safety features built into the slide. First there is a switch on the bottom which turns off the Push-Open feature completely. This is excellent during transportation to job site, but also when small children are around to prevent accidental release of the drawer.

The optional Vibration Safety Device (VSD) offers an additional safety feature that locks the drawers in place in the event of the cabinet experiencing a significant vibration. This option is ideal for furniture installed in earthquake prone regions, but also has practical applications for recreational vehicles and trailers.

## Product Advantages

- Continuous Ever-Active Push
- Perfect Soft-Close
- No Bounce Back
- Any Point Touch to open
- Built-In Safety Features

## Technical Documents



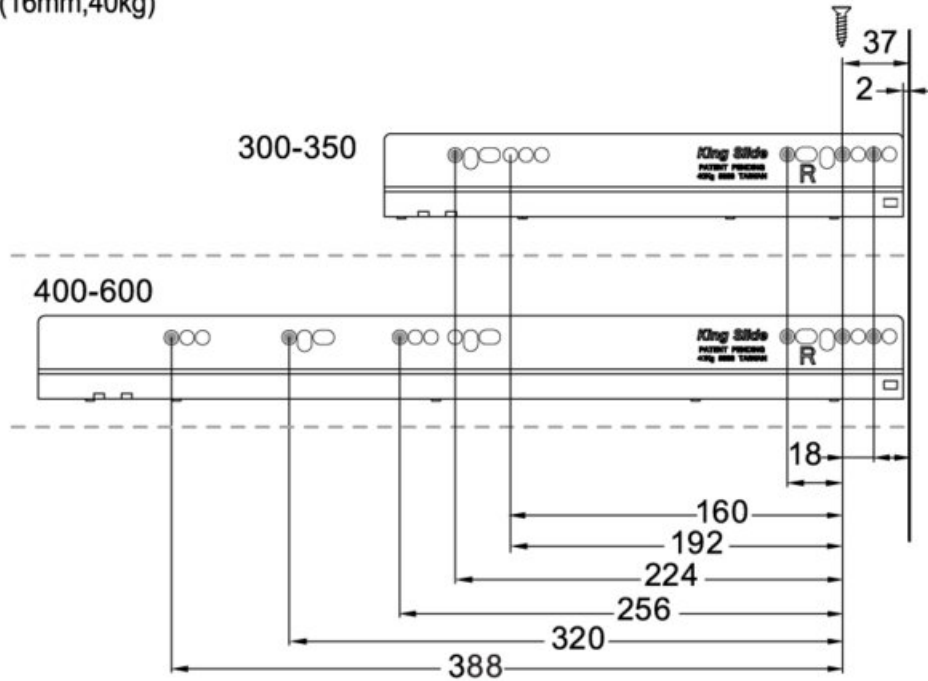
View this product online at <https://marathonhardware.com/pd/KS-F86-550>



## Technical Documents

### Slide Installation Instruction / Instructions d'installation – Coulisse

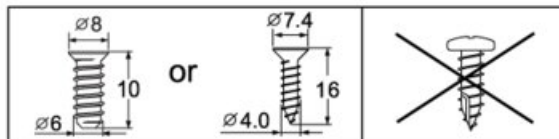
- Medium Duty Slide / Coulisses poids moyen  
(16mm,40kg)



Gray point: minimum screw required

Point gris: vis minimum requis

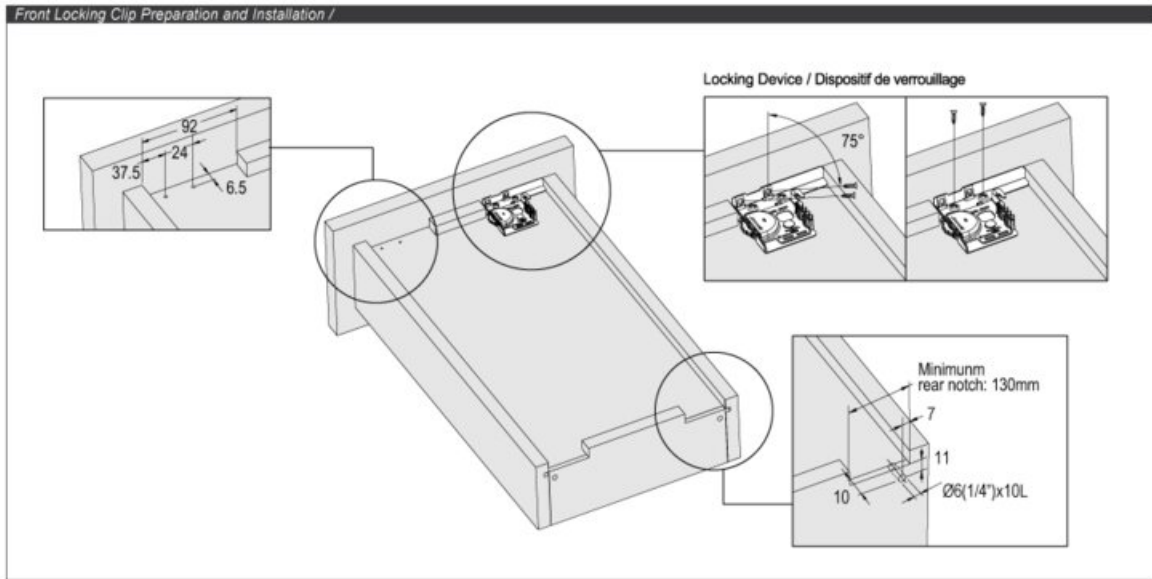
\*Install with Flat Head or Euro Screws only.



View this product online at <https://marathonhardware.com/pd/KS-F86-550>



## Technical Documents

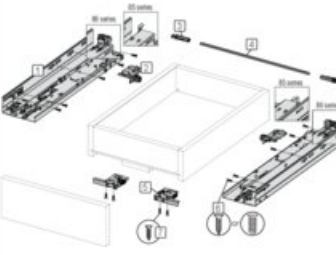


View this product online at <https://marathonhardware.com/pd/KS-F86-550>

Technical Documents

**King Slide®**  
**SIMLEAD Wood Drawer System**  
**SIMLEAD Installation Instruction**  
 1F85(16mm) / 1G85(19mm) / 1D85(16mm) / 1E85(19mm)  
 1F86(16mm) / 1G86(19mm) / 1D86(16mm) / 1E86(19mm)

Compartments / Compartiments / Compartimentos / 抽屉單元 / 抽屜單元

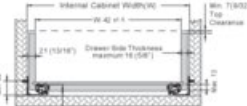


- Slide (Coulisse / Condesa) 軌道 / 軌道
- Re-synchronization rod connector (Barre de synchronisation - Connecteur / Conector para a barra de sincronização) 同步桿連接器
- Re-synchronization rod adjuster (Barre de synchronisation - Ajustador / Ajustador para a barra de sincronização) 同步桿調整器
- Synchronization rod (Barre de synchronisation / La barre de synchronisation) 同步桿 / 同步桿
- Countersunk screws (470) or the System Screws (5070) - For Slide and Re-synchronization Rod (16) or (19) Length (5070) - Pour coulisse / Torno avellanado (470) o Torno de sistema (5070) - Condesa / 沉頭螺絲 (470) 或系統螺絲 (5070) - 軌道 / 同步桿 / 長度 (5070)
- Countersunk screws (5070) - For Locking device (16) & (19) Length (5070) - Pour le dispositif de verrouillage / Torno avellanado (5070) - Para Pestaña de Bloqueo / 沉頭螺絲 (5070) - 鎖扣 / 長度 (5070)


1 Shows when to the following installation / 1a. Condesa / Installation suivante / Torno / Condesa / seguinte instalação / 1a. 安裝時請注意 / 1a. 安裝時請注意

1 Drawer System Spacing Requirement / Système de tirage - espace requis / Sistema De Cajón De Espaço Requisito / 1. 安裝時請注意 / 1. 安裝時請注意

16mm Drawer Side Thickness / Épaisseur du côté du tiroir 16mm / Grosor de lateral de cajón de 16mm / 16mm 抽屜側板厚度 / 16mm 抽屜側板厚度




19mm Drawer Side Thickness / Épaisseur du côté du tiroir 19mm / Grosor de lateral de cajón de 19mm / 19mm 抽屜側板厚度 / 19mm 抽屜側板厚度



Internal Cabinet Width (W) / W 抽屜單元 / 抽屜單元  
 Min. Top Clearance / 抽屜單元 / 抽屜單元  
 Drawer Side Thickness maximum 16 (5/8") / 抽屜側板厚度 / 抽屜側板厚度  
 24 (3/4") / 抽屜側板厚度 / 抽屜側板厚度

Internal Cabinet Width (W) / W 抽屜單元 / 抽屜單元  
 Min. Top Clearance / 抽屜單元 / 抽屜單元  
 Drawer Side Thickness maximum 19 (3/4") / 抽屜側板厚度 / 抽屜側板厚度  
 24 (3/4") / 抽屜側板厚度 / 抽屜側板厚度

Push-Open + Soft Closing Series / Série ouverture par pression + amortisseur / Faixa Abertura + Cierre Suave Series / 按壓+緩衝系列 / 按壓+緩衝系列



Workshop Cabinet Width / W 抽屜單元 / 抽屜單元  
 Length of the cabinet / Longueur de la commode / 抽屜單元 / 抽屜單元  
 Height of Side + Drawer Side / Hauteur de la commode + côté du tiroir / 抽屜單元 / 抽屜單元  
 Soft-Close Side Height / Hauteur intérieure de fermeture / 抽屜單元 / 抽屜單元  
 Soft-Close Side Height / Hauteur du côté du tiroir / 抽屜單元 / 抽屜單元

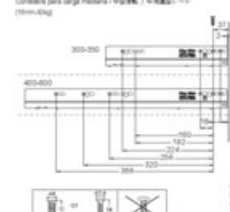
Workshop Cabinet Width / W 抽屜單元 / 抽屜單元  
 Length of the cabinet / Longueur de la commode / 抽屜單元 / 抽屜單元  
 Height of Side + Drawer Side / Hauteur de la commode + côté du tiroir / 抽屜單元 / 抽屜單元  
 Soft-Close Side Height / Hauteur intérieure de fermeture / 抽屜單元 / 抽屜單元  
 Soft-Close Side Height / Hauteur du côté du tiroir / 抽屜單元 / 抽屜單元

W 抽屜單元 / 抽屜單元  
 L 抽屜單元 / 抽屜單元  
 H 抽屜單元 / 抽屜單元  
 H 抽屜單元 / 抽屜單元  
 H 抽屜單元 / 抽屜單元  
 H 抽屜單元 / 抽屜單元

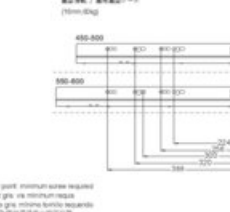
www.kingslide.com

2 Slide Installation Instruction / Instructions d'installation - Coulisse / Instrucciones De Instalación De La Condesa / 安裝時請注意 / 安裝時請注意

Medium Duty Slide / Coulisse poids moyen / Condesa para carga mediana / 中負載 / 中負載

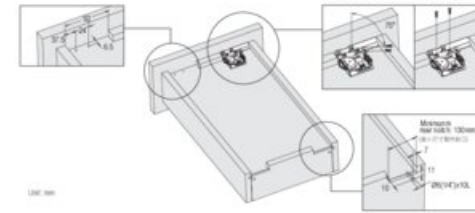


Heavy Duty Slide / Coulisse poids lourd / Condesa para carga pesada / 重負載 / 重負載



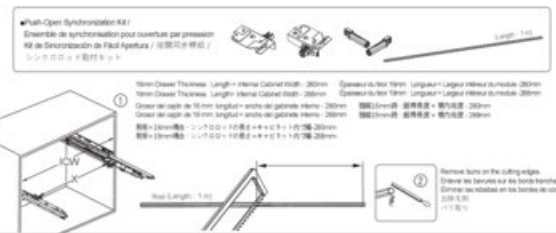
Gray paint - minimum surface required / Peinture grise via minimum requise / Pintura gris mínima superficie requerida / 灰色塗料 / 灰色塗料

3 Locking Device / Dispositif de verrouillage / Pestaña de Bloqueo / 鎖扣 / 鎖扣



4 Flush-Open Synchronization Rod Specification / Spécification de la barre de synchronisation pour ouverture par pression / Especificación Para La Barra De Sincronización De Faixa Abertura / 同步桿安裝說明 / 同步桿安裝說明

Flush-Open Synchronization Kit / Ensemble de synchronisation pour ouverture par pression / Kit de Sincronización de Faixa Abertura / 同步桿安裝組 / 同步桿安裝組



16mm Drawer Thickness - Length = Internal Cabinet Width - 20mm / Épaisseur du tiroir - Longueur = Largeur interne du tiroir - 20mm / 抽屜側板厚度 - 長度 = 抽屜單元 / 抽屜單元  
 19mm Drawer Thickness - Length = Internal Cabinet Width - 20mm / Épaisseur du tiroir - Longueur = Largeur interne du tiroir - 20mm / 抽屜側板厚度 - 長度 = 抽屜單元 / 抽屜單元

Crack de cajón de 16mm longueur = ancho del gabinete interno - 20mm / Fissure de tiroir - 16mm longueur = ancho del gabinete interno - 20mm / 抽屜側板厚度 - 長度 = 抽屜單元 / 抽屜單元  
 Crack de cajón de 19mm longueur = ancho del gabinete interno - 20mm / Fissure de tiroir - 19mm longueur = ancho del gabinete interno - 20mm / 抽屜側板厚度 - 長度 = 抽屜單元 / 抽屜單元

Remove burrs on the cutting edges / Enlever les bavures sur les bords coupants / Eliminar las rebabas en los bordes de corte / 抽屜側板 / 抽屜側板

View this product online at <https://marathonhardware.com/pd/KS-F86-550>

