

---

## Depth Adjuster for 1J68 Undermounts

**Part Number: KS-1J68-DPTA**

---



### Product Description

King Slide ULead Undermount Slides are a high-quality full-extension undermount slide that enables you to show off the beauty of the wooden drawer box while ensuring top reliability and performance. With an ultra-smooth gliding motion that offers high rigidity and stability, you can be sure that your project's drawers will continue to perform for a kitchen's lifetime.

The enhanced soft-closing feature works silently while still offering a light opening force, and the durable damping system offers fast response capability. This model is designed for wooden drawers with maximum side thickness of 16mm (5/8 inch) and includes a 4-way adjustable front locking device.

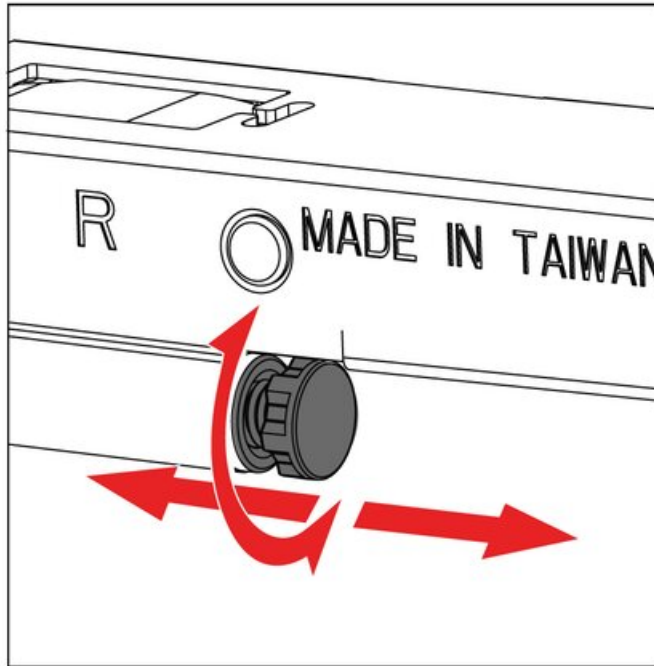
---

### Product Advantages

- Concealed undermounted slides with full extension travel
  - Ultra smooth gliding motion with high rigidity and stability
  - Enhanced silent soft-close with light opening force
  - Durable damping system with fast response capability
  - Tool-less drawer height adjustment from the drawer front
  - Simple Drawer Assembly with front release latch
  - Load capacity of 45kg (100lbs)
  - Third party tested to 100,000 duty cycles
-

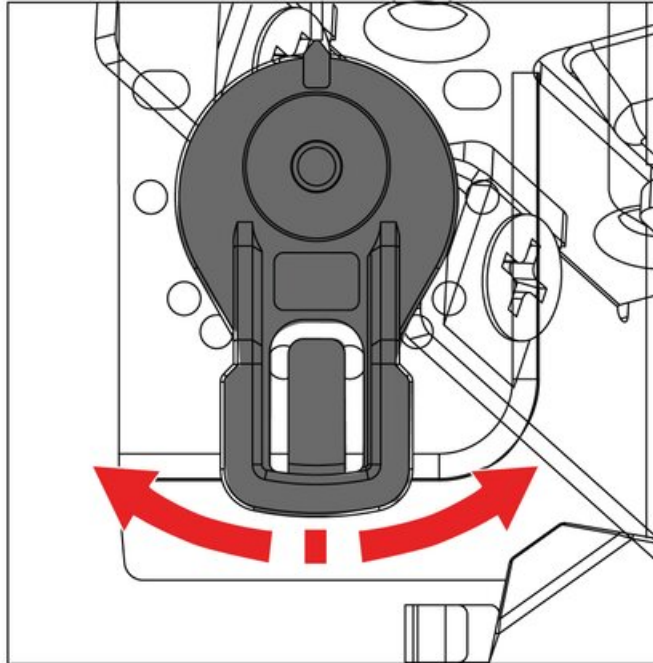


## Technical Documents



View this product online at <https://marathonhardware.com/pd/KS-1J68-DPTA>

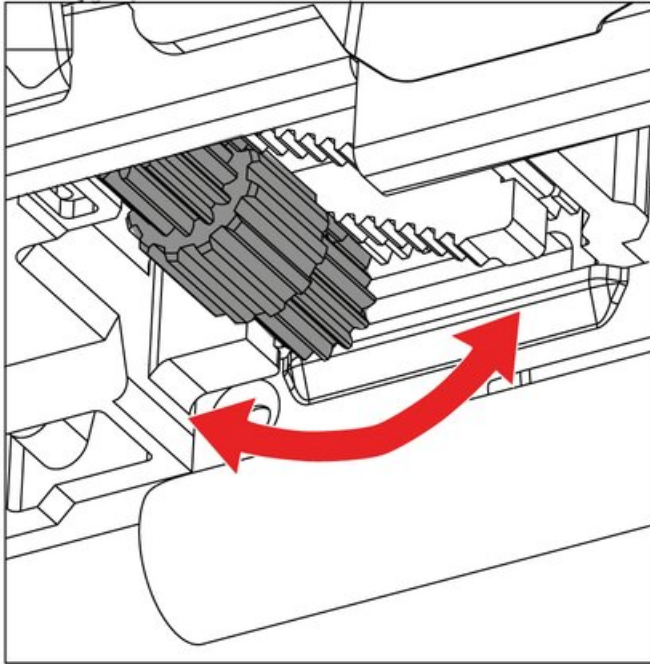
Technical Documents



View this product online at <https://marathonhardware.com/pd/KS-1J68-DPTA>



## Technical Documents



View this product online at <https://marathonhardware.com/pd/KS-1J68-DPTA>



## Technical Documents



**MARATHON**  
HARDWARE

**KING SLIDE**  
ULEAD UNDERMOUNT

**King Slide**  
Ordering Guide

800.840.1228 | MARATHONHARDWARE.COM



King Slide ULead Undermount Slides are a high-quality full-extension undermount slide that enables you to show off the beauty of the wooden drawer box while ensuring top reliability and performance. With an ultra-smooth gliding motion that offers high rigidity and stability, you can be sure that your project's drawers will continue to perform for a kitchen's lifetime.

The enhanced soft-closing feature works silently while still offering a light opening force, and the durable damping system offers fast response capability. This model is designed for wooden drawers with maximum side thickness of 16mm (5/8 inch) and includes a 4-way adjustable front locking device.

#### PRODUCT FEATURES

- Concealed undermount slides with full extension travel
- Ultra smooth gliding motion with high rigidity and stability
- Enhanced silent soft-close with light opening force
- Durable damping system with fast response capability
- Tool-less drawer height adjustment from the drawer front
- Simple Drawer Assembly with front release latch
- Load capacity of 40kg (88lbs)
- Third party tested to 100,000 duty cycles

View this product online at <https://marathonhardware.com/pd/KS-1J68-DPTA>

