



# Max Bin Waste Pullout 600mm (24"), Medium Height, 2x15L + 2x27L Bins, Anthracite

**Part Number: 04-MAX600-84S-AG**

M-Series Max Bin for 24" (600mm) Cabinet, 84L (2 X 15L + 2 X 27L) Capacity

Designed for both metric and imperial outside width cabinets. Frame adjustment can compensate for common gables. Short and Medium Heights can fit a 6 inch top drawer. Tall for full height door only.

Bin Included? - - - - -	Yes
Closing Type - - - - -	Soft-Close
Cover Included? - - - - -	Yes
Finish - - - - -	Anthracite Grey
Interior Depth Required - - - - -	520 mm
Interior Height Required - - - - -	540 mm
Interior Width Required - - - - -	562 to 580 mm
Load Capacity - - - - -	45 kg (99 lbs)
Number of Waste Bins - - - - -	4 Bins
Slide Extension Type - - - - -	Full Extension
Suggested for Cabinet (Door) Width - - - - -	600 mm (24 in)
Volume - - - - -	2 x 15L and 2 x 27L
Waste Type - - - - -	Side-Mount

## Product Description

The M-Series Max Bin is a side mounted waste storage solution with large bins that are easily removable. The rigid construction, multiple sizes and heights to choose from, and 45kg (99lb) load capacity make the Max Bin the perfect choice for any kitchen.

## Product Advantages

- 4 different widths available, unit is adjustable to fit metric and imperial sizes without a conversion kit
- 3 heights available
- Multiple bin configurations
- Full-extension, soft-close, synchronized slides
- Sturdy door mount with full 6-way adjustment
- Modern Anthracite Grey finish
- Roll-out top shelf for additional storage includes removable dark grey anti-slip mat
- Load capacity: 45kg (99lbs)
- Full size positioning template included
- Limited Lifetime Warranty

## Important Information

Designed for both metric and imperial outside width cabinets. Frame adjustment can compensate for common gables. Short and Medium Heights can fit a 6 inch top drawer. Tall for full height door only.

---



## Technical Documents



### M-Series Max Bin Waste Storage System

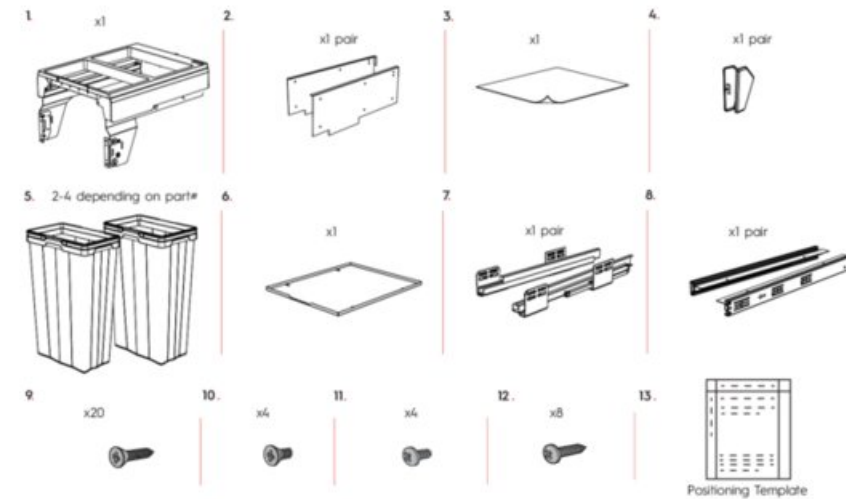


### Product Features

The M-Series Max Bin is a side mounted waste storage solution with large bins that are easily removable. The rigid construction and multiple sizes and heights to choose from make the Max Bin the perfect choice for any kitchen.

- 4 different widths available, unit is adjustable to fit metric and imperial sizes without a conversion kit
- 3 heights available
- Multiple bin configurations
- Full-extension, soft-close, synchronized slides
- Sturdy door mount with full 6-way adjustment
- Modern Anthracite Grey finish
- Roll-out top shelf for additional storage includes removable dark grey anti-slip mat
- Load capacity: 45kg (99lbs)
- Full size positioning template included
- Limited Lifetime Warranty

### What's In the Box



800.840.1228 / MARATHONHARDWARE.COM

View this product online at <https://marathonhardware.com/pd/04-MAX600-84S-AG>



## Technical Documents



**MARATHON**  
HARDWARE

**M-Series MAX BIN**



800.840.1228 | MARATHONHARDWARE.COM



**M SERIES**

**INTRODUCING** M-Series Max Bin

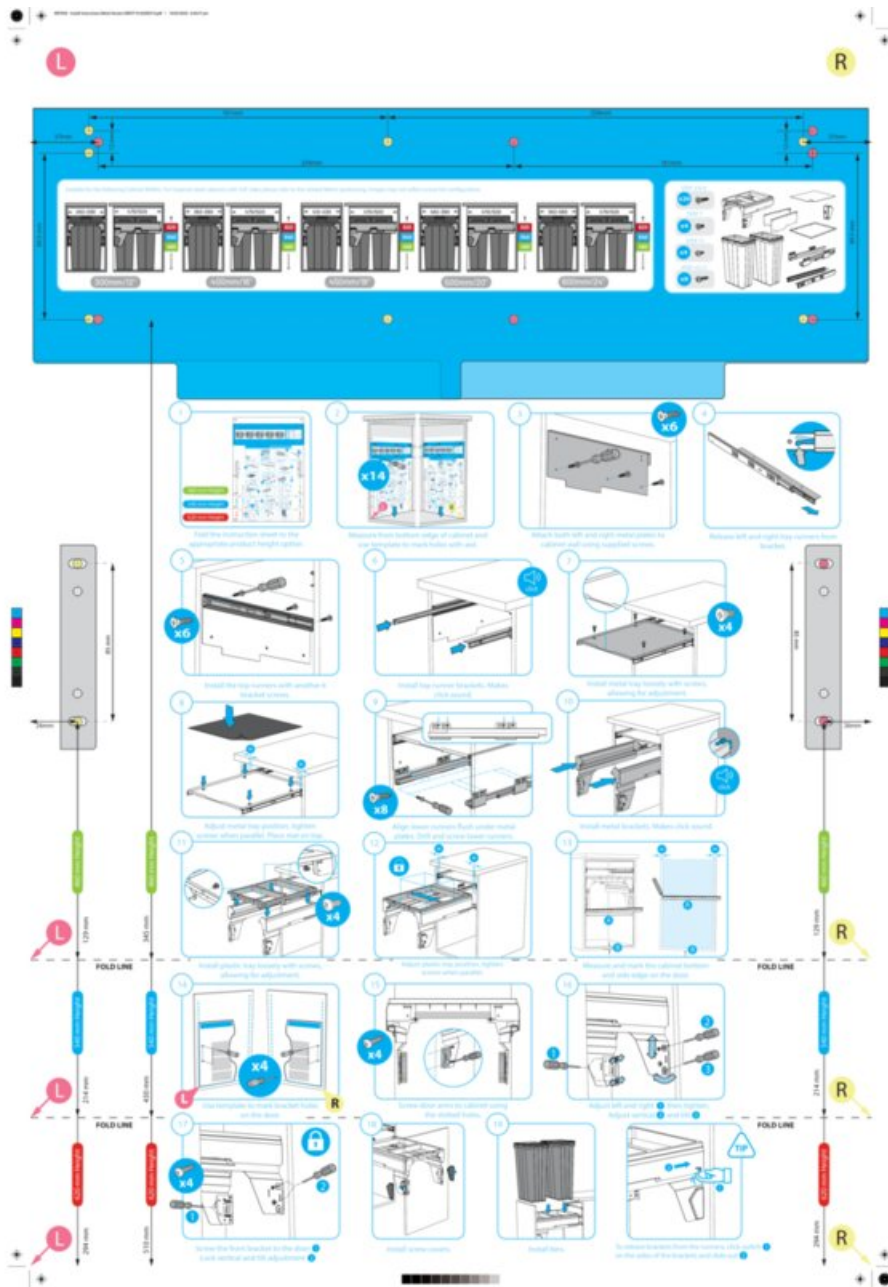
The M-Series Max Bin is a side mounted waste storage solution with large bins that are easily removable. The rigid construction and multiple sizes and heights to choose from make the Max Bin the perfect choice for any kitchen.

**Product Features:**

- 4 different widths available, unit is adjustable to fit metric and imperial sizes without a conversion kit
- 3 heights available
- Multiple bin configurations
- Full-extension, soft-close, synchronized slides
- Sturdy door mount with full 6-way adjustment
- Modern Anthracite Grey finish
- Roll-out top shelf for additional storage includes removable dark grey anti-slip mat
- Load capacity: 45kg (99lbs)
- Full size positioning template included
- Limited Lifetime Warranty

View this product online at <https://marathonhardware.com/pd/04-MAX600-84S-AG>

## Technical Documents



View this product online at <https://marathonhardware.com/pd/04-MAX600-84S-AG>

