

Autograph Cutlery Tray, 4 piece, Birch



Part Number: 04-AU-BIR-CT4-D

Autograph Cutlery Tray for 4-piece Sets, Birch

This Autograph cutlery tray features four individual slots for cutlery and a fifth trimmable section at the rear to customize the insert to your drawer depth.

Colour	----- Birch
Height	----- 55 mm (2-3/16 in)
Interior Dimensions Required - Depth	-- 366 to 589 mm (14-7/16 to 23-3/16 in)
Material	----- Wood
Width	----- 304.8 mm (12 in)

Product Description

Autograph is our top-of-the-line drawer organizer system, made from real wood and available in two finishes - birch and walnut. As a fully customizable system, Autograph allows you to fit it to the drawer's exact specifications and your client's specific needs. With two easy ways to order, pre-configured kits and a do-it-yourself configurator, Autograph is not only a stunning, functional add-on to your kitchen designs, it's also a hassle free way to offer your clients a complete kitchen from top to bottom, inside and out.

Product Advantages

Available in two finishes: Walnut & Birch

Height: 55mm

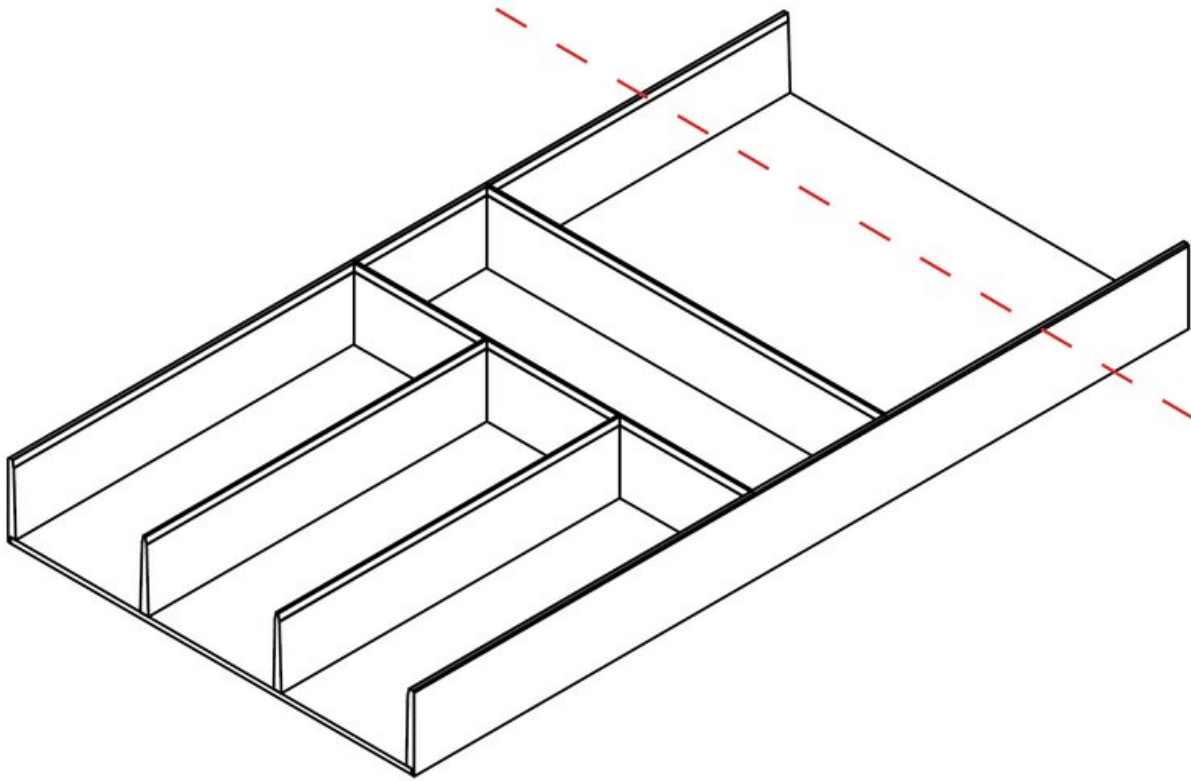
Width: 304.8mm (12")

Depth: Min. 366mm, Max. 589mm

Important Information

Trim from rear only.

Technical Documents



View this product online at <https://marathonhardware.com/pd/04-AU-BIR-CT4-D>



AUTOGRAPH

PARTS

View this product online at <https://marathonhardware.com/pd/04-AU-BIR-CT4-D>

