



Blackrock Appliance Pull 8" Polished Nickel

Part Number: A55279PN

Blackrock Appliance Pull, 8", Polished Nickel

Inspired by hard geometric lines, Blackrock™'s simple shapes make a lasting impression.

Center to Center Length	8 in
Collection	Blackrock
Colour Group	Silver
Finish Code	Polished Nickel
Material	Zinc
Mounting Type	10-24 Machine Screw
Overall Length	9.375 in
Projection (Height)	43 mm
Type	Appliance Pull
Width	19 mm

Product Description

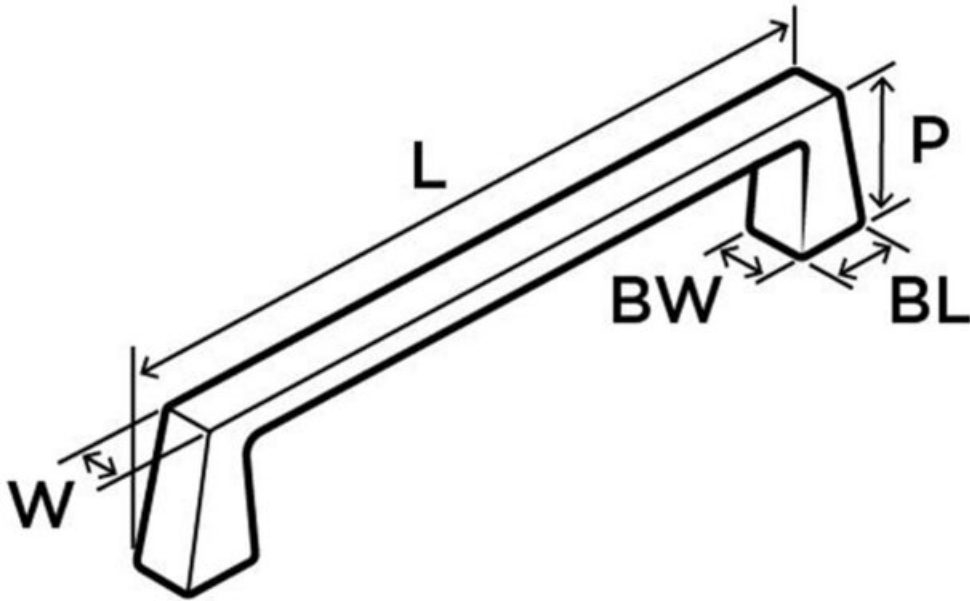
- Transitional style adds an easy designer upgrade to any cabinet drawer, cabinet door or furniture piece
- High quality zinc construction for lifelong durability
- Mounting hardware included for quick and easy installation
- Coordinates seamlessly with finishes from popular plumbing and lighting brands
- Complete with limited lifetime warranty against defect in material and craftsmanship
- Perfect statement piece for appliance cabinets, large cabinet doors or cabinet drawers

Included Products

Screw Size(s): (2) #10-24 x 3/4in PH Screw(2) #10-24 x 1in PH Screw(2) #10-24 x 1-1/4in PH Screw(2) #10-24 x 1-1/2in PH Screw(2) #10-24 x 1-3/4in PH Screw



Technical Documents



L (Length) = 9-3/8in(238mm)

W (Width) = 3/4in(19mm)

P (Projection) = 1-11/16in(43mm)

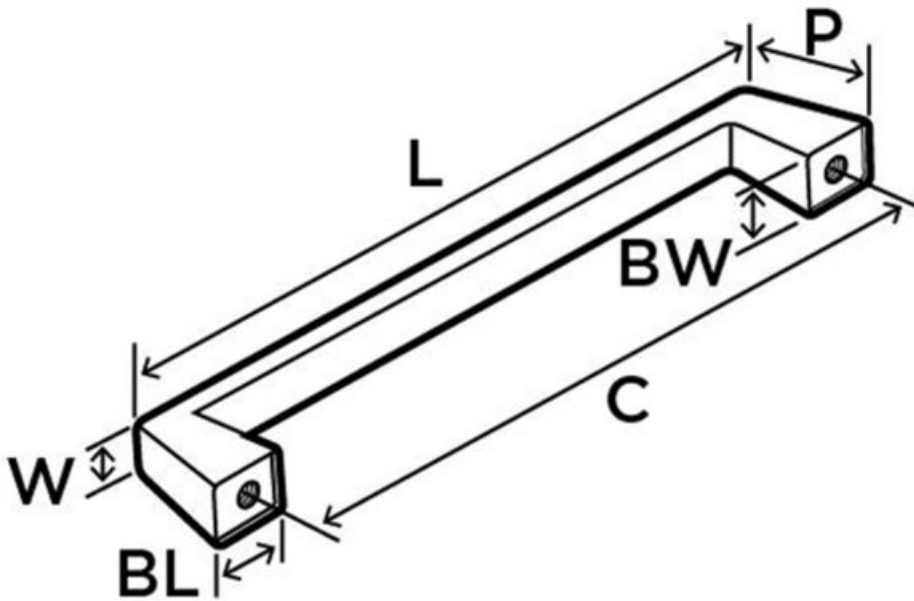
BL (Base Length) = 15/16in(24mm)

BW (Base Width) = 3/4in(19mm)

Profile# 55279

View this product online at <https://marathonhardware.com/pd/A55279PN>

Technical Documents



L (Length) = 9-3/8in(238mm)

W (Width) = 3/4in(19mm)

P (Projection) = 1-11/16in(43mm)

C (Center-to-Center) = 8in(203mm)

BL (Base Length) = 15/16in(24mm)

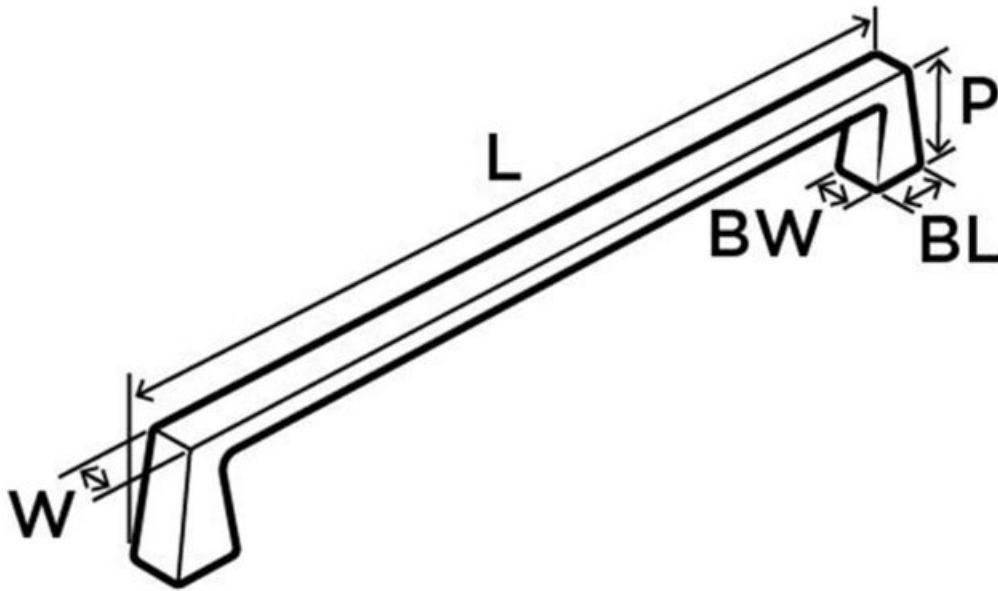
BW (Base Width) = 3/4in(19mm)

Profile# 55279

View this product online at <https://marathonhardware.com/pd/A55279PN>



Technical Documents



L (Length) = 13-5/16in(338mm)

W (Width) = 3/4in(19mm)

P (Projection) = 1-11/16in(43mm)

BL (Base Length) = 15/16in(24mm)

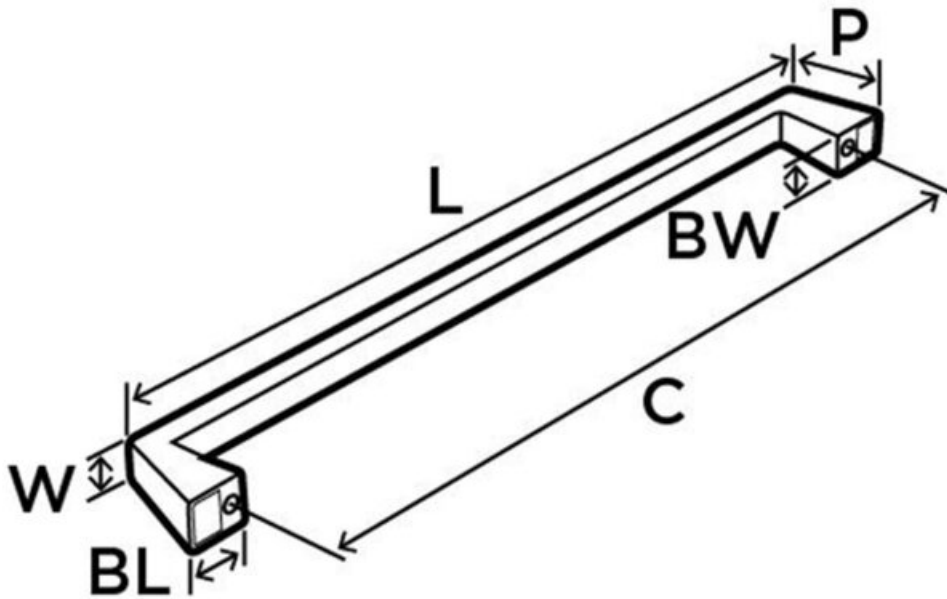
BW (Base Width) = 3/4in(19mm)

Profile# 55280

View this product online at <https://marathonhardware.com/pd/A55279PN>



Technical Documents



L (Length) = 13-5/16in(338mm)

W (Width) = 3/4in(19mm)

P (Projection) = 1-11/16in(43mm)

C (Center-to-Center) = 12in(305mm)

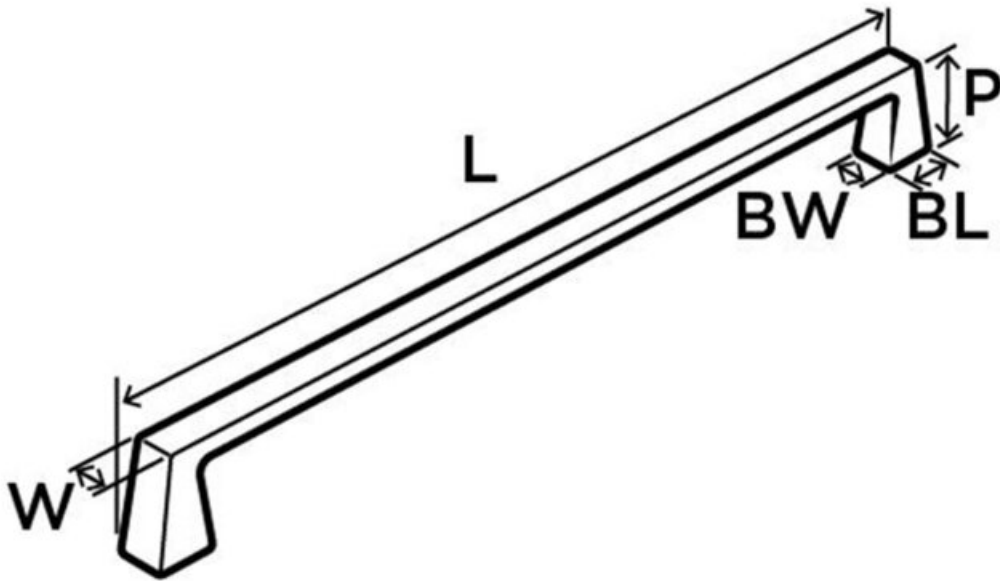
BL (Base Length) = 15/16in(24mm)

BW (Base Width) = 3/4in(19mm)

Profile# 55280

View this product online at <https://marathonhardware.com/pd/A55279PN>

Technical Documents

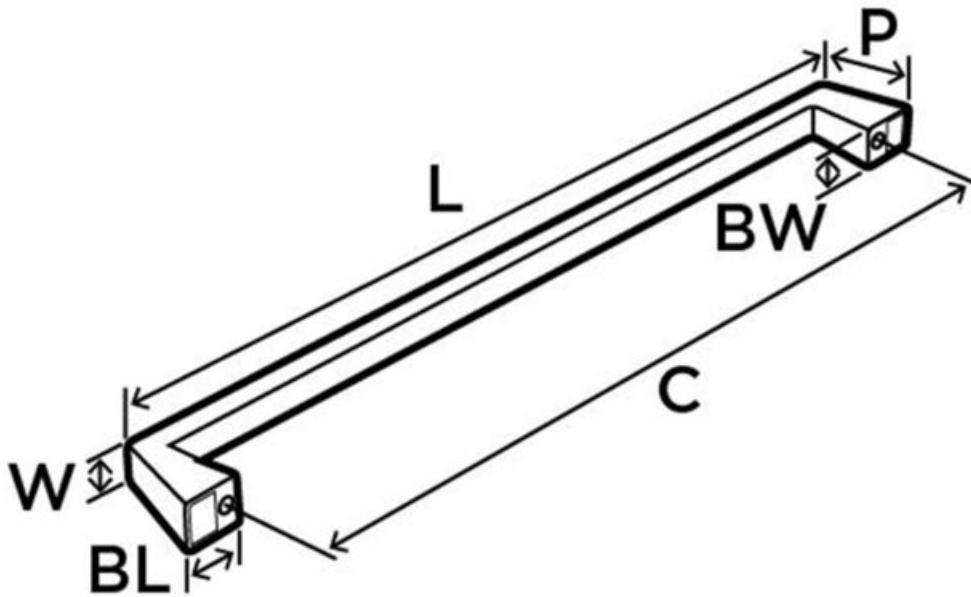


L (Length) = 19-3/8in(492mm)
W (Width) = 3/4in(19mm)
P (Projection) = 1-11/16in(43mm)
BL (Base Length) = 15/16in(24mm)
BW (Base Width) = 3/4in(19mm)

Profile# 55281

View this product online at <https://marathonhardware.com/pd/A55279PN>

Technical Documents



L (Length) = 19-3/8in(492mm)

W (Width) = 3/4in(19mm)

P (Projection) = 1-11/16in(43mm)

C (Center-to-Center) = 18in(457mm)

BL (Base Length) = 15/16in(24mm)

BW (Base Width) = 3/4in(19mm)

Profile# 55281

View this product online at <https://marathonhardware.com/pd/A55279PN>

