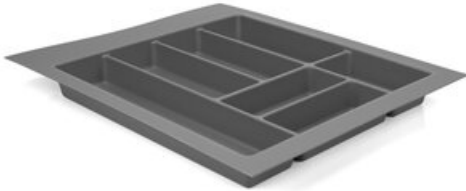


## Area Cutlery Divider Matte Grey, F1 for 395-450mm



**Part Number: 04-AREA-CT-GM-F1**

Area Cutlery Dividers, 395mm - 450mm, Grey Matte

Vacuum thermoformed insert tray with seven slots for organizing cutlery.

Application Type	-----	Cutlery Tray
Finish	-----	Matte Grey
Height	-----	52 mm (2 1/16 in)
Interior Dimensions Required - Depth	- -	440 to 550 mm (17 5/16 to 21 21/32 in)
Interior Dimensions Required - Height	-	52 mm (2 1/16 in)
Interior Dimensions Required - Width	- -	400 to 450 mm (15 3/4 to 17 23/32 in)

### Product Description

An upgrade to classic thermoformed trays, the new Area line of vacuum thermoformed divider inserts has your most common drawer organization needs covered, while offering three on-trend finishes.

### Product Advantages

Finish: Grey Matte

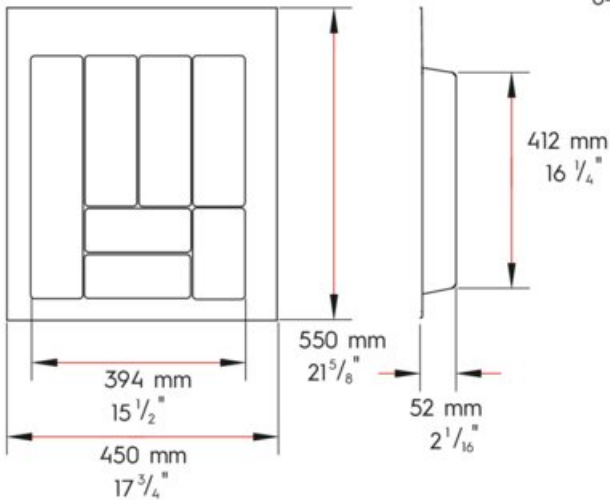
Height: 52mm

Depth: Min. 440mm, Max. 550mm

Width: Min. 395mm, Max. 450mm

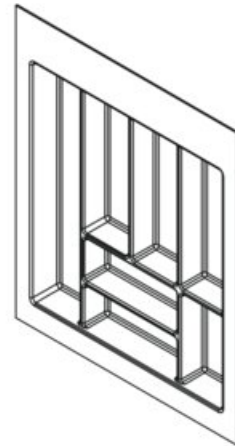
### Important Information

Add optional edge profiles to add an aesthetic upgrade to the sides of cutlery trays.



Spice Holder

Part.	Finish
04-AREA-CT-GM-F1	Matte Grey
04-AREA-CT-GMT-F1	Matte Grey textured
04-AREA-CT-SW-F1	Silk White



800 840 1228 / MARATHONHARDWARE.COM

View this product online at <https://marathonhardware.com/pd/04-AREA-CT-GM-F1>

