

## Area Cutlery Divider Matte Grey, H for 495-600mm



**Part Number: 04-AREA-CT-GM-H**

Area Cutlery Dividers, 495mm - 600mm, Grey Matte

Vacuum thermoformed insert tray with seven slots for organizing cutlery.

Application Type	-----	Cutlery Tray
Finish	-----	Matte Grey
Height	-----	52 mm (2 1/16 in)
Interior Dimensions Required - Depth	- -	440 to 550 mm (17 5/16 to 21 21/32 in)
Interior Dimensions Required - Height	-	52 mm (2 1/16 in)
Interior Dimensions Required - Width	- -	500 to 600 mm (19 11/16 to 23 5/8 in)

### Product Description

An upgrade to classic thermoformed trays, the new Area line of vacuum thermoformed divider inserts has your most common drawer organization needs covered, while offering three on-trend finishes.

### Product Advantages

Finish: Grey Matte

Height: 52mm

Depth: Min. 440mm, Max. 550mm

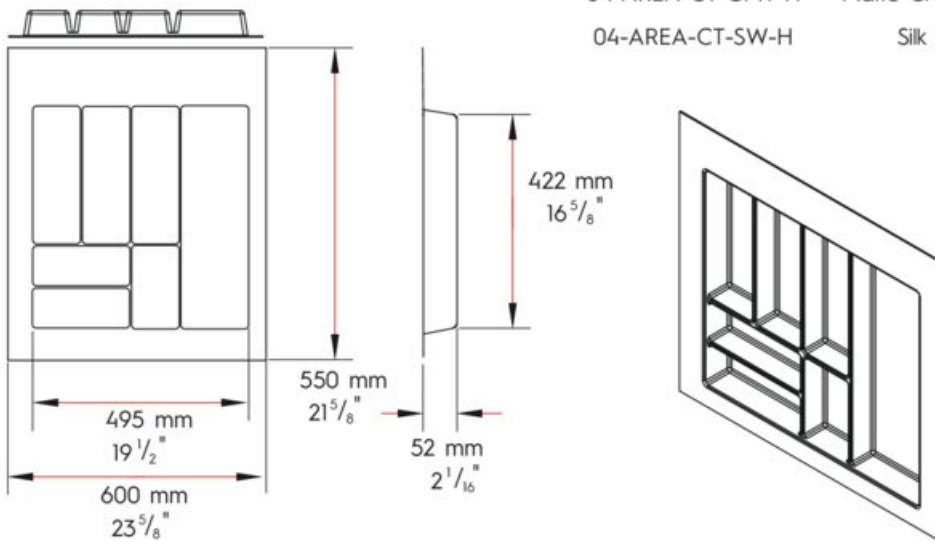
Width: Min. 495mm, Max. 600mm

### Important Information

Add optional edge profiles to add an aesthetic upgrade to the sides of cutlery trays.

Spice Holder

Part.	Finish
04-AREA-CT-GM-H	Matte Grey
04-AREA-CT-GMT-H	Matte Grey textured
04-AREA-CT-SW-H	Silk White



800 840 1228 / MARATHONHARDWARE.COM

View this product online at <https://marathonhardware.com/pd/04-AREA-CT-GM-H>

