

Area Cutlery Divider Matte Grey Textured, G for 445-500mm

Part Number: 04-AREA-CT-GMT-G



Area Cutlery Dividers, 445mm - 500mm, Grey Matte Textured

Vacuum thermoformed insert tray with seven slots for organizing cutlery.

Application Type	-----	Cutlery Tray
Finish	-----	Matte Grey Textured
Height	-----	52 mm (2 1/16 in)
Interior Dimensions Required - Depth	-	440 to 550 mm (17 5/16 to 21 21/32 in)
Interior Dimensions Required - Height	-	52 mm (2 1/16 in)
Interior Dimensions Required - Width	-	450 to 500 mm (17 23/32 to 19 11/16 in)

Product Description

An upgrade to classic thermoformed trays, the new Area line of vacuum thermoformed divider inserts has your most common drawer organization needs covered, while offering three on-trend finishes.

Product Advantages

Finish: Grey Matte Textured

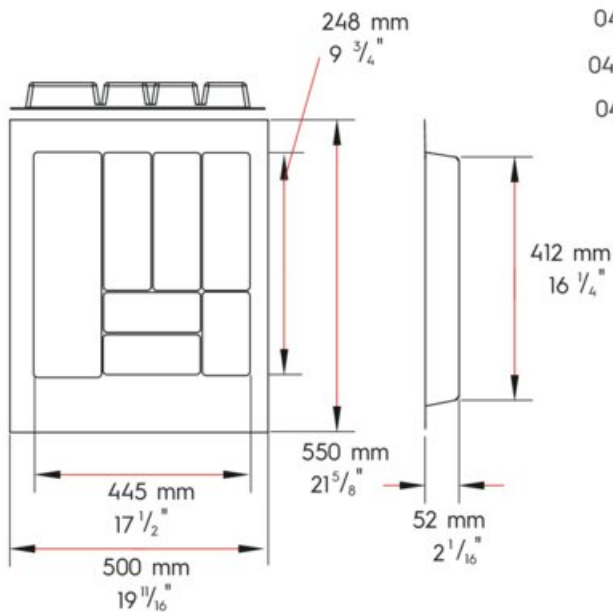
Height: 52mm

Depth: Min. 440mm, Max. 550mm

Width: Min. 445mm, Max. 500mm

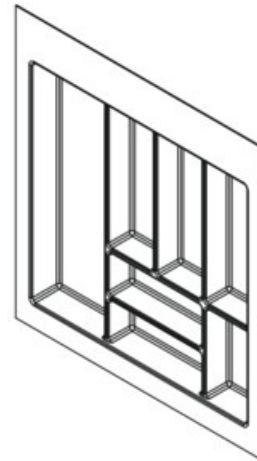
Important Information

Add optional edge profiles to add an aesthetic upgrade to the sides of cutlery trays.



Spice Holder

Part.	Finish
04-AREA-CT-GM-G	Matte Grey
04-AREA-CT-GMT-G	Matte Grey textured
04-AREA-CT-SW-G	Silk White



800 840 1228 / MARATHONHARDWARE.COM

View this product online at <https://marathonhardware.com/pd/04-AREA-CT-GMT-G>

