

Area Cutlery Divider Matte Grey Textured, H for 495-600mm



Part Number: 04-AREA-CT-GMT-H

Area Cutlery Dividers, 495mm - 600mm, Grey Matte Textured

Vacuum thermoformed insert tray with seven slots for organizing cutlery.

| | | |
|---------------------------------------|-------|--|
| Application Type | ----- | Cutlery Tray |
| Finish | ----- | Matte Grey Textured |
| Height | ----- | 52 mm (2 1/16 in) |
| Interior Dimensions Required - Depth | - - | 440 to 550 mm (17 5/16 to 21 21/32 in) |
| Interior Dimensions Required - Height | - | 52 mm (2 1/16 in) |
| Interior Dimensions Required - Width | - - | 500 to 600 mm (19 11/16 to 23 5/8 in) |

Product Description

An upgrade to classic thermoformed trays, the new Area line of vacuum thermoformed divider inserts has your most common drawer organization needs covered, while offering three on-trend finishes.

Product Advantages

Finish: Grey Matte Textured

Height: 52mm

Depth: Min. 440mm, Max. 550mm

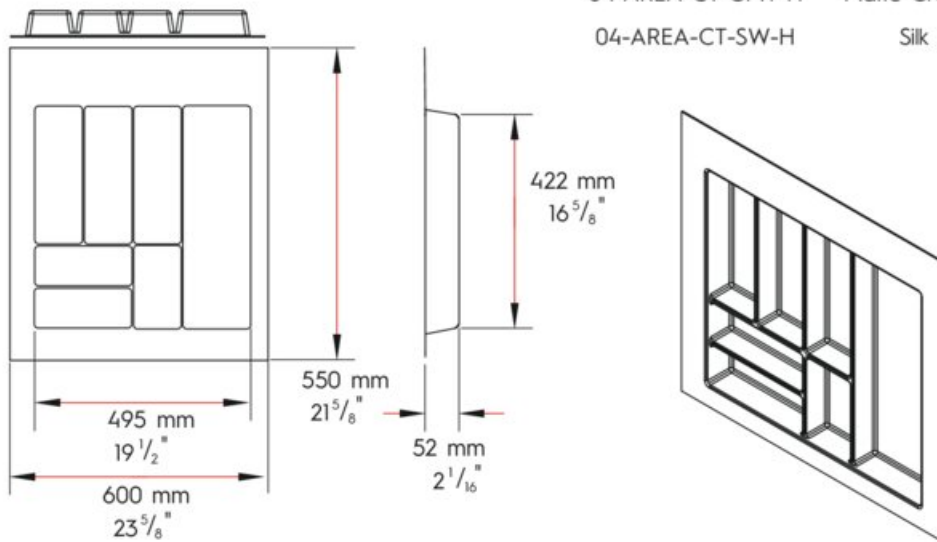
Width: Min. 495mm, Max. 600mm

Important Information

Add optional edge profiles to add an aesthetic upgrade to the sides of cutlery trays.

Spice Holder

| Part. | Finish |
|------------------|---------------------|
| 04-AREA-CT-GM-H | Matte Grey |
| 04-AREA-CT-GMT-H | Matte Grey textured |
| 04-AREA-CT-SW-H | Silk White |



800 840 1228 / MARATHONHARDWARE.COM

View this product online at <https://marathonhardware.com/pd/04-AREA-CT-GMT-H>

