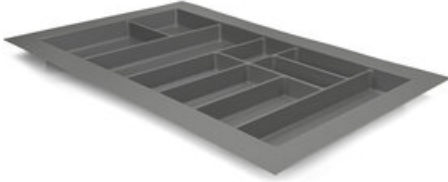


Area Cutlery Divider Matte Grey Textured, L for 795-900mm



Part Number: 04-AREA-CT-GMT-L

Area Cutlery Dividers, 795mm - 900mm, Grey Matte Textured

Vacuum thermoformed insert tray with ten slots for organizing cutlery.

Application Type	-----	Cutlery Tray
Finish	-----	Matte Grey Textured
Height	-----	52 mm (2 1/16 in)
Interior Dimensions Required - Depth	- -	440 to 550 mm (17 5/16 to 21 21/32 in)
Interior Dimensions Required - Height	-	52 mm (2 1/16 in)
Interior Dimensions Required - Width	- -	800 to 900 mm (31 1/2 to 35 7/16 in)

Product Description

An upgrade to classic thermoformed trays, the new Area line of vacuum thermoformed divider inserts has your most common drawer organization needs covered, while offering three on-trend finishes.

Product Advantages

Finish: Grey Matte Textured

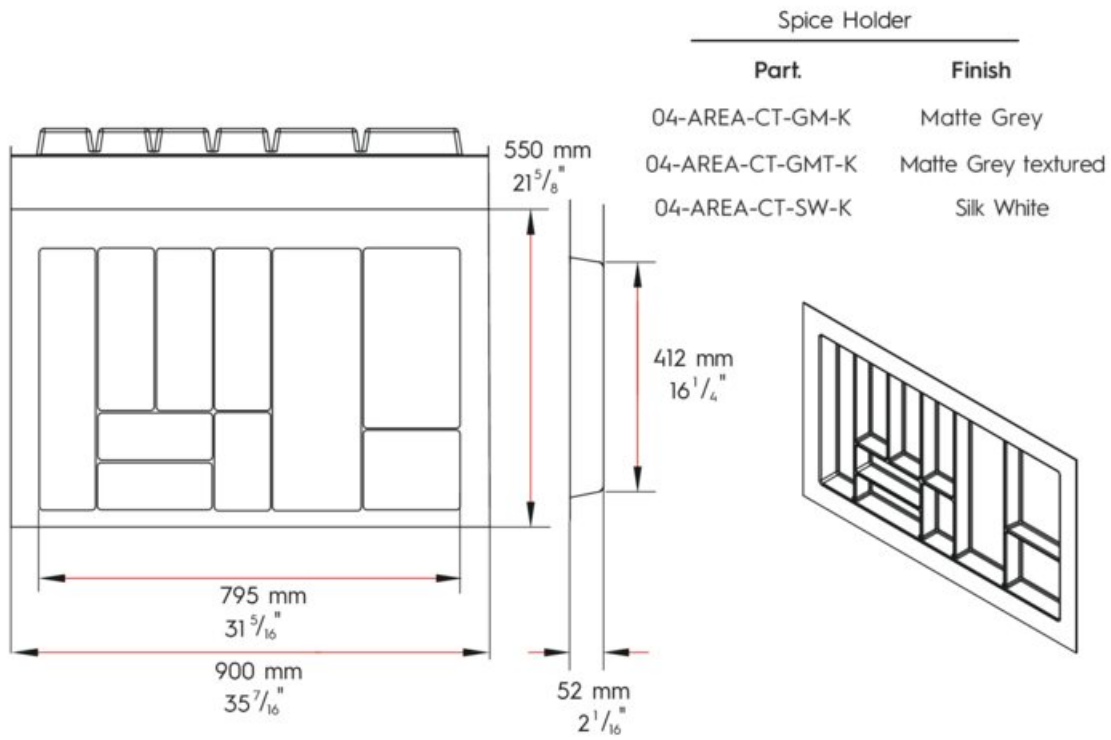
Height: 52mm

Depth: Min. 440mm, Max. 550mm

Width: Min. 795mm, Max. 900mm

Important Information

Add optional edge profiles to add an aesthetic upgrade to the sides of cutlery trays.



800 840 1228 / MARATHONHARDWARE.COM

View this product online at <https://marathonhardware.com/pd/04-AREA-CT-GMT-L>

