

Area Cutlery Divider Matte Grey Textured, N for 895-1000mm



Part Number: 04-AREA-CT-GMT-N

Area Cutlery Dividers, 895mm - 1000mm, Grey Matte Textured

Vacuum thermoformed insert tray with eleven slots for organizing cutlery.

Application Type	-----	Cutlery Tray
Finish	-----	Matte Grey Textured
Height	-----	52 mm (2 1/16 in)
Interior Dimensions Required - Depth	- -	440 to 550 mm (17 5/16 to 21 21/32 in)
Interior Dimensions Required - Height	-	52 mm (2 1/16 in)
Interior Dimensions Required - Width	- -	900 to 1000 mm (35 7/16 to 39 3/8 in)

Product Description

An upgrade to classic thermoformed trays, the new Area line of vacuum thermoformed divider inserts has your most common drawer organization needs covered, while offering three on-trend finishes.

Product Advantages

Finish: Grey Matte Textured

Height: 52mm

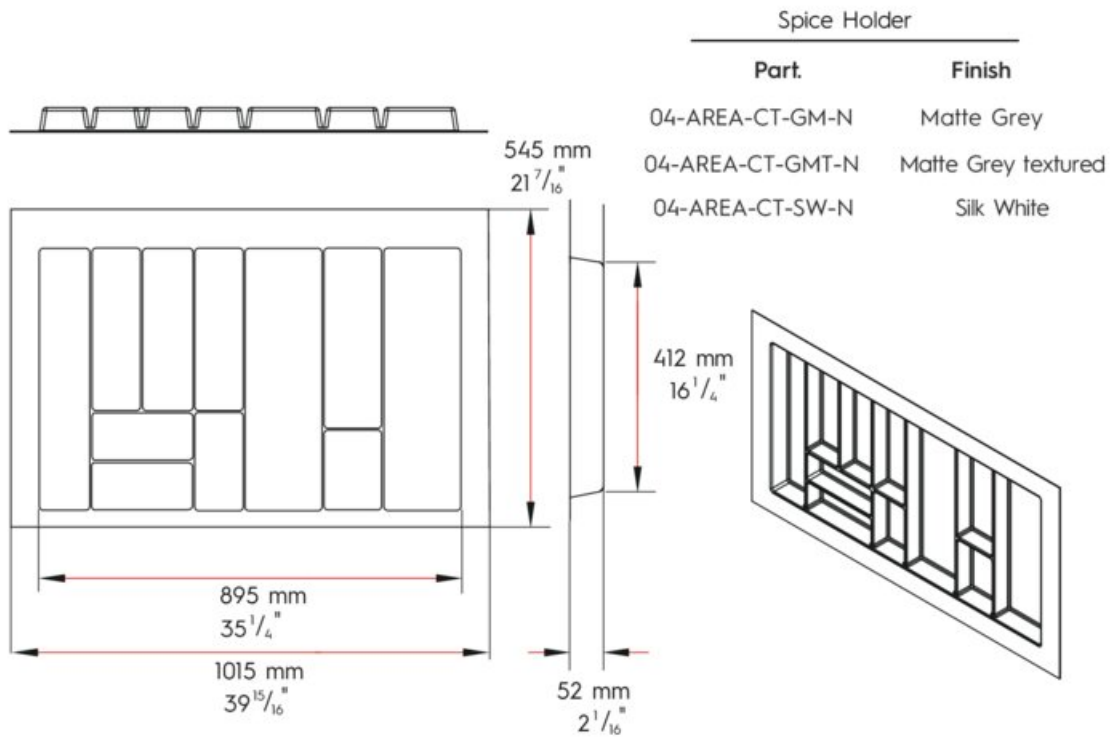
Depth: Min. 440mm, Max. 550mm

Width: Min. 895mm, Max. 1000mm

Important Information

Add optional edge profiles to add an aesthetic upgrade to the sides of cutlery trays.

Technical Documents



800 840 1228 / MARATHONHARDWARE.COM

View this product online at <https://marathonhardware.com/pd/04-AREA-CT-GMT-N>

