

Area Cutlery Divider Silk White, F for 345-400mm



Part Number: 04-AREA-CT-SW-F

Area Cutlery Dividers, 345mm - 400mm, Silk White

Vacuum thermoformed insert tray with six slots for organizing cutlery.

Application Type	-----	Cutlery Tray
Finish	-----	Silk White
Height	-----	52 mm (2 1/16 in)
Interior Dimensions Required - Depth	- -	440 to 550 mm (17 5/16 to 21 21/32 in)
Interior Dimensions Required - Height	-	52 mm (2 1/16 in)
Interior Dimensions Required - Width	- -	350 to 400 mm (13 25/32 to 15 3/4 in)

Product Description

An upgrade to classic thermoformed trays, the new Area line of vacuum thermoformed divider inserts has your most common drawer organization needs covered, while offering three on-trend finishes.

Product Advantages

Finish: Silk White

Height: 52mm

Depth: Min. 440mm, Max. 550mm

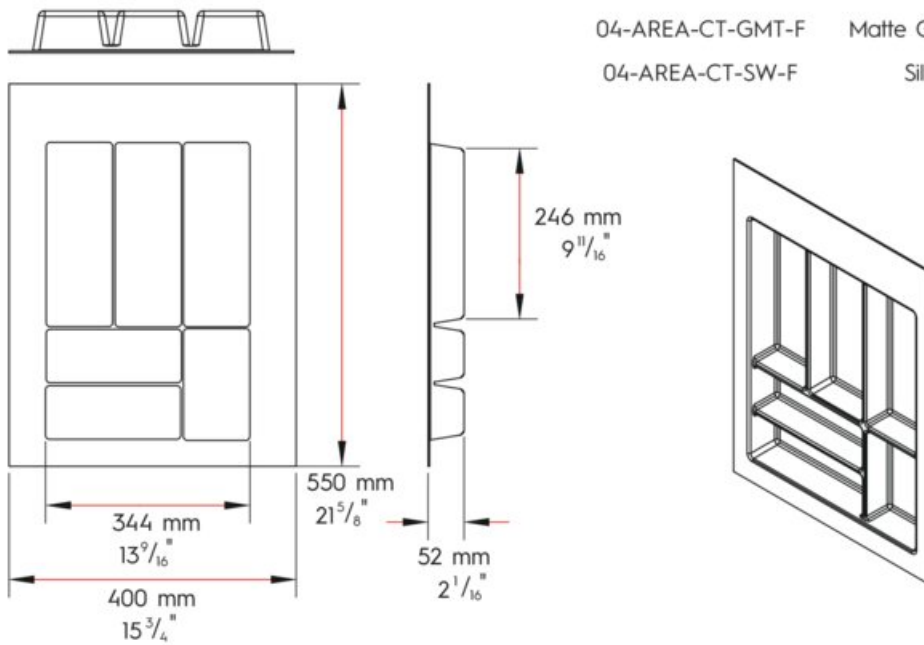
Width: Min. 345mm, Max. 400mm

Important Information

Add optional edge profiles to add an aesthetic upgrade to the sides of cutlery trays.

Spice Holder

Part.	Finish
04-AREA-CT-GM-F	Matte Grey
04-AREA-CT-GMT-F	Matte Grey textured
04-AREA-CT-SW-F	Silk White



800 840 1228 / MARATHONHARDWARE.COM

View this product online at <https://marathonhardware.com/pd/04-AREA-CT-SW-F>

