



Single Bin 33L with Handles Anthracite

Part Number: 041-PCO-XL33-AG

Build your own drawer pullouts with waste bin storage using these bins, or use them as replacements.

Colour	Anthracite Grey
Component Type	Bin
Depth	219 mm
Height	460 mm
Length	438 mm
Lid Size	XL
Volume	33L

Product Description

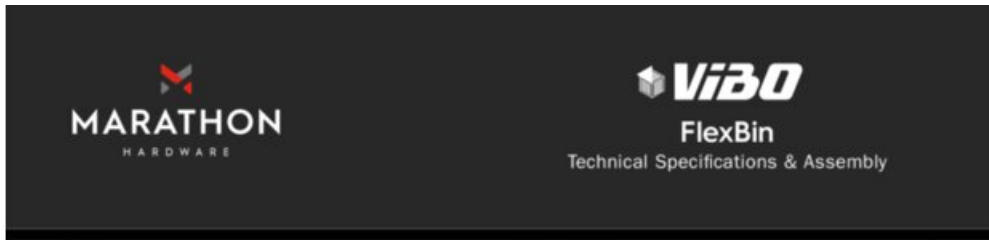
Store large amounts of waste or recycling in this bin. Made from non-toxic materials and resistant to high and low temperatures, this quality waste bin will not deform or warp under regular everyday use. The integrated handles make removal and carrying a breeze.

Product Advantages

- Recyclable, non toxic material
- Resistant to low & high temperatures
- Non deformable
- Integrated handles for easy removal
- Lid available



Technical Documents



Flexbin

Product Features



The FlexBin is a single, universal set of C-channels designed to be installed inside a drawer to accommodate one of four different size Vibo bins. FlexBin is ideal for waste, recycling, and compost, but can be used for any number of storage applications.

- Perfect for a retrofit
- Easy to install, can be done on-site
- All hardware included
- Bins sold separately
- includes a real-size positioning template

Flexbin C-shaped bottom holder

Description	Finish	Part#
W x H x D 217 x 89 x 182.5mm (8 1/2 x 3 1/2 x 7 1/4")	Anthracite	041-PVCSH-AG
W x H x D 217 x 89 x 182.5mm (8 1/2 x 3 1/2 x 7 1/4")	Light grey	041-PVCSH-G

Waste Bin, Anthracite grey (sold separately)

Description	Size	Part#
W x H x D 185 x 310 x 219mm (7 1/4 x 12 1/4 x 8 1/4")	SM	041-PCO-SM09-AG
W x H x D 185 x 370 x 219mm (7 1/4 x 14 1/4 x 8 1/4")	SM	041-PCO-SM10-AG
W x H x D 295 x 430 x 219mm (11 1/2 x 17 x 8 1/4")	ME	041-PCO-ME20-AG
W x H x D 365 x 460 x 219mm (14 1/4 x 18 1/4 x 8 1/4")	LA	041-PCO-LA30-AG

Waste Bins, Light grey (Sold separately)

Description	Size	Part#
W x H x D 185 x 310 x 219mm (7 1/4 x 12 1/4 x 8 1/4")	SM	041-PCO-SM09-G
W x H x D 185 x 370 x 219mm (7 1/4 x 14 1/4 x 8 1/4")	SM	041-PCO-SM10-G
W x H x D 295 x 430 x 219mm (11 1/2 x 17 x 8 1/4")	ME	041-PCO-ME20-G
W x H x D 365 x 460 x 219mm (14 1/4 x 18 1/4 x 8 1/4")	LA	041-PCO-LA30-G

800.840.1228 / MARATHONHARDWARE.COM

View this product online at <https://marathonhardware.com/pd/041-PCO-XL33-AG>



Technical Documents



800.840.1228 | MARATHONHARDWARE.COM

ViBO

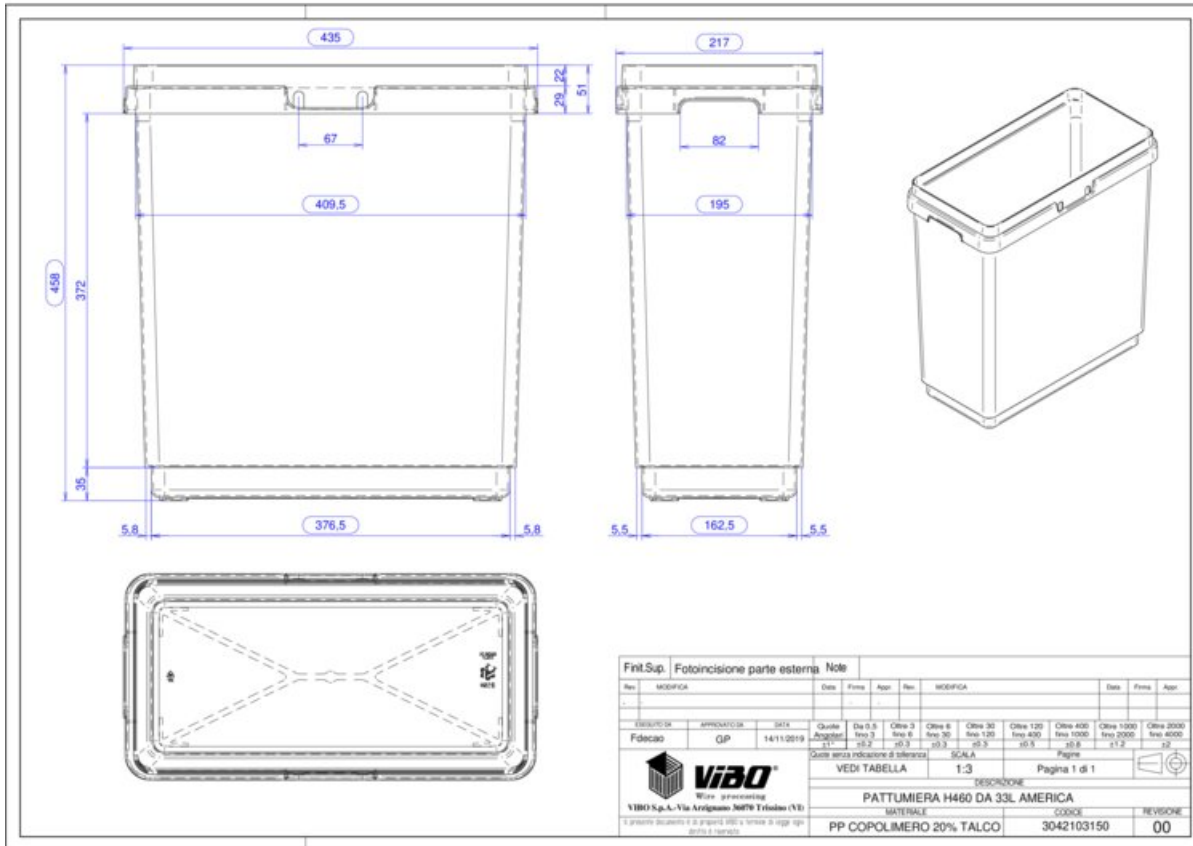
INTRODUCING FlexBin

The FlexBin is a single, universal set of C-channels designed to be installed inside a drawer to accommodate one of four different size Vibo bins. FlexBin is ideal for waste, recycling, and compost, but can be used for any number of storage applications.

Product Features:

- Perfect for a retrofit
- Easy to install, can be done on-site
- All hardware included
- Bins sold separately
- Includes full scale positioning template

View this product online at <https://marathonhardware.com/pd/041-PCO-XL33-AG>

Technical Documents

 View this product online at <https://marathonhardware.com/pd/041-PCO-XL33-AG>

