



## Single Bin 47L with Handles Anthracite

**Part Number: 041-PCO-XX47-AG**

Build your own drawer pullouts with waste bin storage using these bins, or use them as replacements.

|                |                     |
|----------------|---------------------|
| Colour         | Anthracite Grey     |
| Component Type | Bin                 |
| Depth          | 270 mm (10-5/8 in)  |
| Height         | 570 mm (22-7/16 in) |
| Length         | 438 mm (27-1/2 in)  |
| Lid Size       | XX                  |
| Volume         | 47L                 |

### Product Description

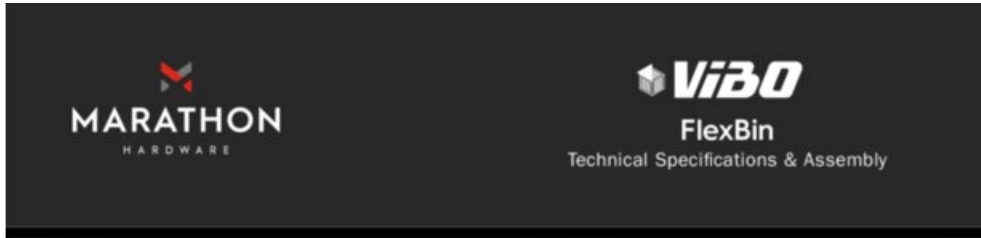
Store large amounts of waste or recycling in this bin. Made from non-toxic materials and resistant to high and low temperatures, this quality waste bin will not deform or warp under regular everyday use. The integrated handles make removal and carrying a breeze.

### Product Advantages

- Recyclable, non toxic material
- Resistant to low & high temperatures
- Non deformable
- Integrated handles for easy removal
- Lid available



## Technical Documents



### Flexbin

### Product Features



The FlexBin is a single, universal set of C-channels designed to be installed inside a drawer to accommodate one of four different size Vibo bins. FlexBin is ideal for waste, recycling, and compost, but can be used for any number of storage applications.

- Perfect for a retrofit
- Easy to install, can be done on-site
- All hardware included
- Bins sold separately
- includes a real-size positioning template

### Flexbin C-shaped bottom holder

| Description  | Finish     | Part#        |
|--|------------|--------------|
| W x H x D 217 x 89 x 182.5mm ( 8 1/2 x 3 1/2 x 7 1/4") | Anthracite | 041-PVC5H-AG |
| W x H x D 217 x 89 x 182.5mm ( 8 1/2 x 3 1/2 x 7 1/4") | Light grey | 041-PVC5H-G  |

### Waste Bin, Anthracite grey (sold separately)

| Description   | Size | Part#           |
|---|------|-----------------|
| W x H x D 183 x 310 x 219mm ( 7 1/4 x 12 1/4 x 8 1/4")  | SM   | 041-PCO-SM09-AG |
| W x H x D 183 x 370 x 219mm ( 7 1/4 x 14 1/4 x 8 1/4")  | SM   | 041-PCO-SM10-AG |
| W x H x D 293 x 430 x 219mm ( 11 1/2 x 17 x 8 1/4")     | ME   | 041-PCO-ME20-AG |
| W x H x D 365 x 460 x 219mm ( 14 1/4 x 18 1/4 x 8 1/4") | LA   | 041-PCO-LA30-AG |

### Waste Bins, Light grey (Sold separately)

| Description   | Size | Part#          |
|---|------|----------------|
| W x H x D 183 x 310 x 219mm ( 7 1/4 x 12 1/4 x 8 1/4")  | SM   | 041-PCO-SM09-G |
| W x H x D 183 x 370 x 219mm ( 7 1/4 x 14 1/4 x 8 1/4")  | SM   | 041-PCO-SM10-G |
| W x H x D 293 x 430 x 219mm ( 11 1/2 x 17 x 8 1/4")     | ME   | 041-PCO-ME20-G |
| W x H x D 365 x 460 x 219mm ( 14 1/4 x 18 1/4 x 8 1/4") | LA   | 041-PCO-LA30-G |

800.840.1228 / MARATHONHARDWARE.COM

View this product online at <https://marathonhardware.com/pd/041-PCO-XX47-AG>



## Technical Documents

  
**MARATHON**  
HARDWARE

**FLEXBIN**



800.840.1228 | MARATHONHARDWARE.COM

  
**INTRODUCING** FlexBin

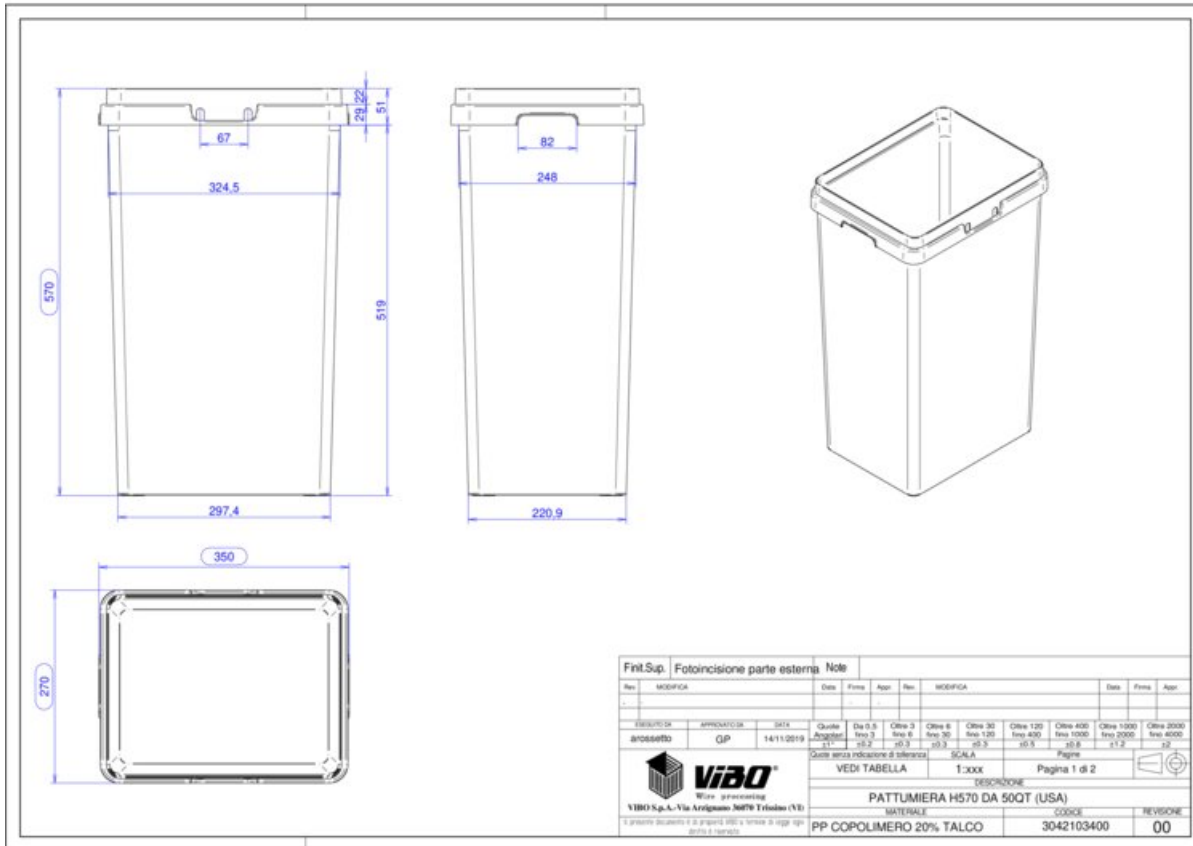
The FlexBin is a single, universal set of C-channels designed to be installed inside a drawer to accommodate one of four different size Vibo bins. FlexBin is ideal for waste, recycling, and compost, but can be used for any number of storage applications.

**Product Features:**

- Perfect for a retrofit
- Easy to install, can be done on-site
- All hardware included
- Bins sold separately
- Includes full scale positioning template

View this product online at <https://marathonhardware.com/pd/041-PCO-XX47-AG>

## Technical Documents



View this product online at <https://marathonhardware.com/pd/041-PCO-XX47-AG>

