

## Flymoon 3 Shelves 24\" data-bbox="379 134 728 188"/>

**Part Number: 041-VF3B60L-WCH**

VIBO Fly Moon 3 Pivoting Pullout Shelves, 60 Shelf Kit (2) Left, White / Chrome

Shelves for the Fly Moon 3.0 blind corner storage solution available in 4 on-trend finishes. Designed for standard height corner cabinets with door openings of 16\", 18\", and 24\".

Basket Bottom Colour	White
Basket Bottom Type	Anti-Slip Melamine
Basket Wire Finish	Chrome
Finish	White / Chrome
Height	86 mm (3 3/8 in)
Interior Width Required	1020mm (40-1/8in)
Opening Direction	Left
Pullout Type	Pivoting Shelves
Reversible	Non Reversible
Suggested for Cabinet (Door) Width	600 mm (24 in)

### Product Description

The Fly Moon Corner Pullout is a pivoting shelf solution for your difficult to reach corner cabinets. The height of the two shelves are adjustable and can each support a 20kg load. Combining style and function, the shelves offer a melamine anti-slip coated bottom and with metal plated railings.

### Product Advantages

- Available in 3 widths: 40, 45, and 60 to fit 400mm (16\"), 450mm (18\"), 600mm (24\") cabinet
- Anti-slip finish on shelves
- Storage capacity: up to 20kg
- Available in 4 finishes: Anthracite Grey, Grey/Chrome, Maple/Champagne, and White/Chrome
- Adjustable height
- Pre-installed damper

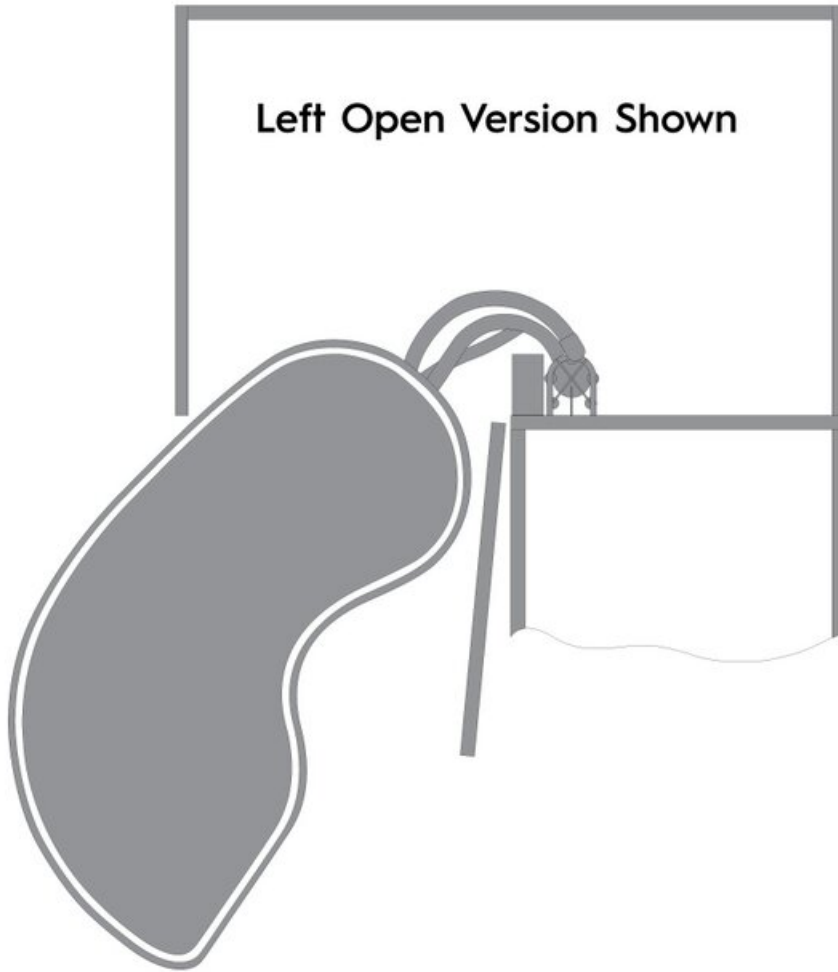
### Important Information

\*Order according to the direction of your opening. Shelves are not universal for all openings.



---

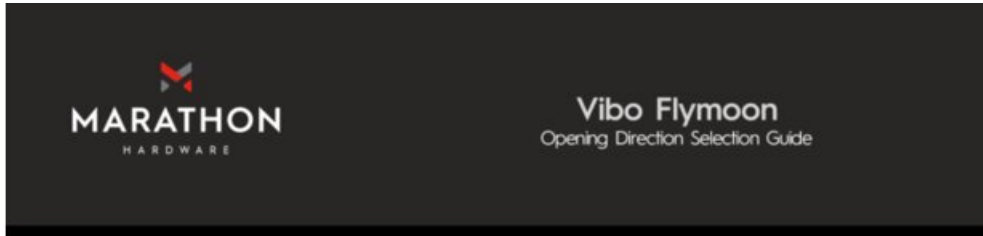
Technical Documents



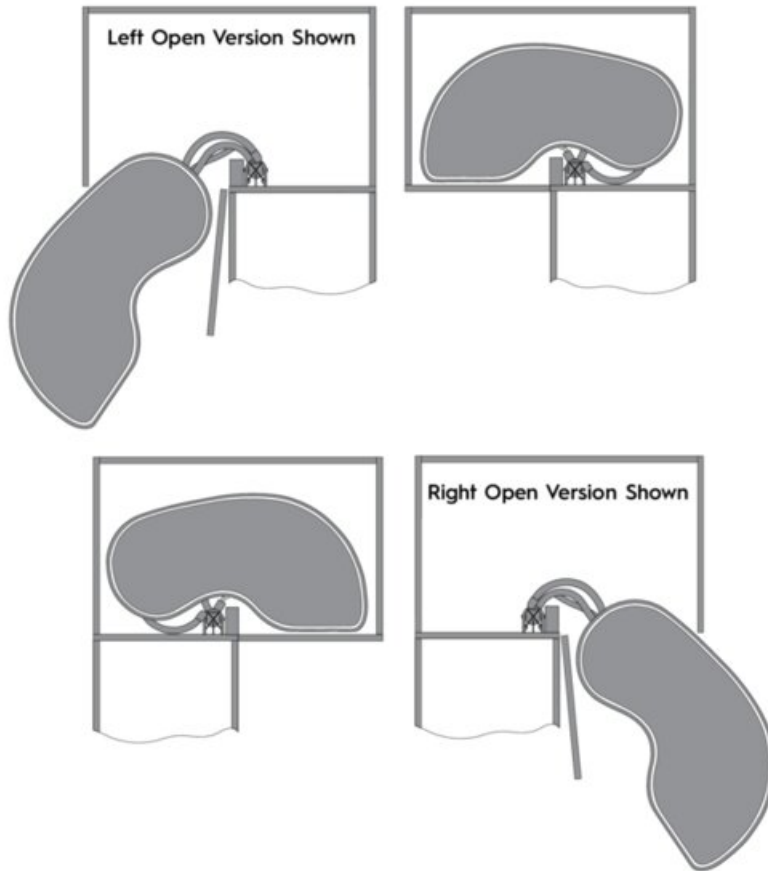
View this product online at <https://marathonhardware.com/pd/041-VF3B60L-WCH>



## Technical Documents



Select your Flymoon opening direction, according to the drawings below.  
The direction follows the movement of the shelves from the user's point of view.



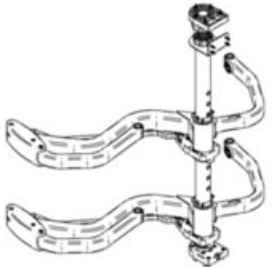
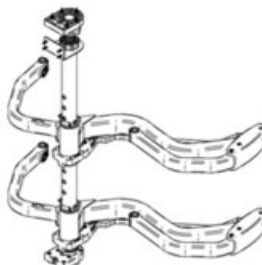





800.840.1228 / MARATHONHARDWARE.COM

View this product online at <https://marathonhardware.com/pd/041-VF3B60L-WCH>

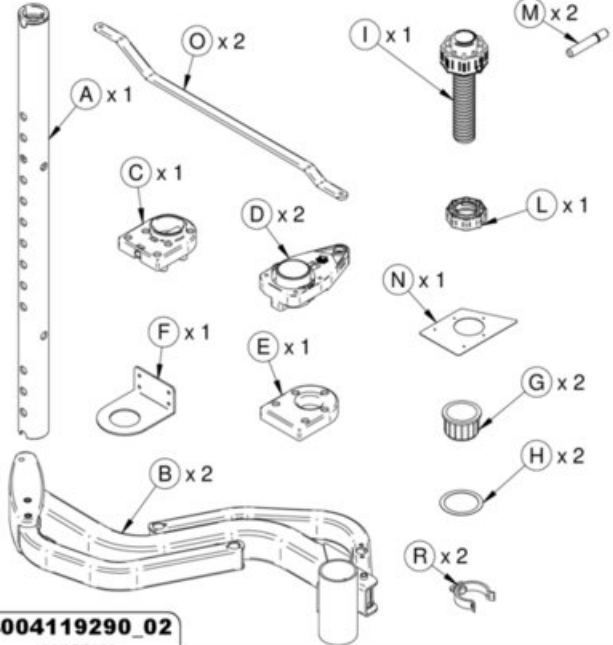
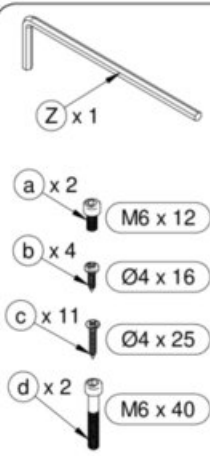


## Technical Documents

### Istruzioni di montaggio - Assembling instructions Notice de montage - Montageanleitung - Manual de montaje

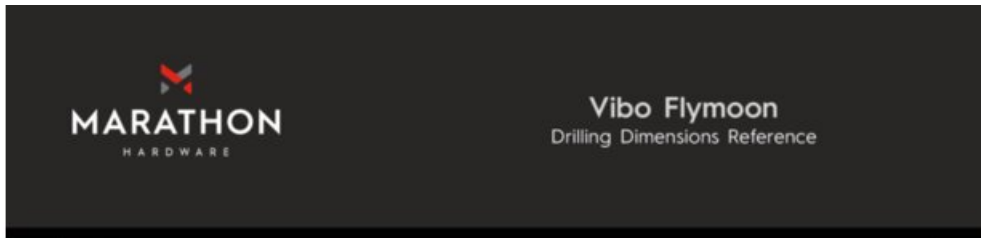
<p>-VERSIONE SINISTRA -VERSION GAUCHE -LEFT HAND VERSION -VERSION IZQUIERDA -LINKSE VERSION</p> 	<p>-VERSIONE DESTRA -RIGHT HAND VERSION -VERSION DROITE -RECHT VERSION -VERSION DERECHA</p> 	 <p>20 min</p>	
		 <p>x 1</p>	
			
			 <p>40 kg MAX</p>

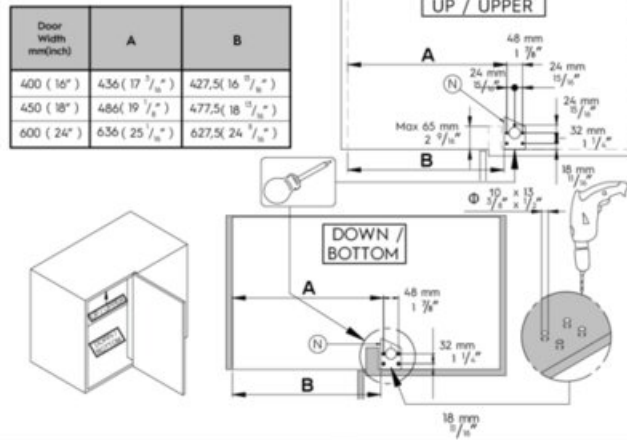
 <p><b>4004119290_02</b> 28/05/2020</p>	 <p><b>1/8</b></p>
---	---

View this product online at <https://marathonhardware.com/pd/041-VF3B60L-WCH>

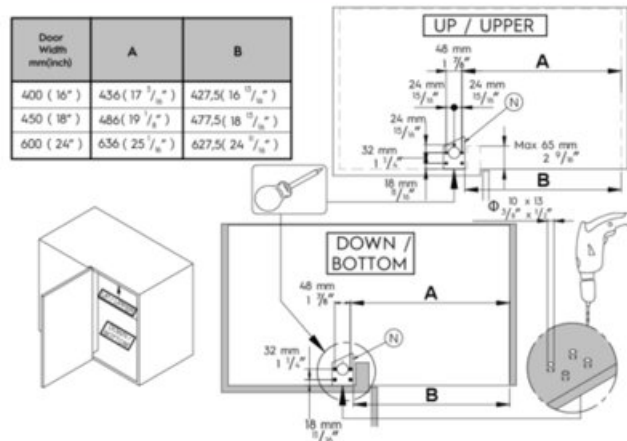
## Technical Documents



### Left Open Version



### Right Open Version



800.840.1228 / MARATHONHARDWARE.COM

View this product online at <https://marathonhardware.com/pd/041-VF3B60L-WCH>

