



Bau Round Pull 64mm Brushed Gold

Part Number: V0496064Z28

Bau Round Pull, 64mm, Brushed Gold

The personality of Bau's unique, round shape makes it perfect handle for bathrooms, kitchens and modern, juvenile bedrooms.

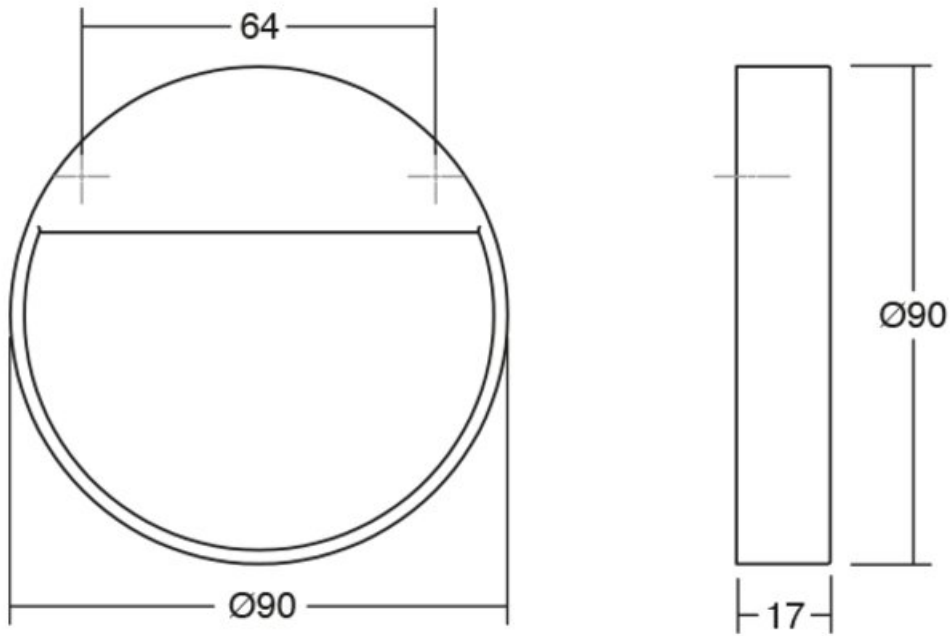
| | |
|-------------------------|------------------|
| Center to Center Length | 64 mm |
| Collection | Bau |
| Colour Group | Gold |
| Design | Patricia Roig |
| Finish Code | Brushed Gold |
| Handle Diameter | 90 mm |
| Material | Zinc Diecast |
| Mounting Type | M4 Machine Screw |
| Projection (Height) | 17 mm |
| Style Family | Designer |
| Type | Pull |
| Width | 90 mm |

Product Description

The circular design of the Bau handle makes it a unique handle. Manufactured in zamak, Bau is the perfect handle for bathrooms, kitchens and modern, juvenile bedrooms. This design by Patricia Roig was the winner of the 6th edition of the Viefe® design competition thanks to its personality which provides the contrast between its round shape and the rectangular support on its interior. It means you can grip it with great ease and it's available in three finishes: brushed nickel, or brushed or matt black. The strength of its design and dimensions make sure the Bau handle doesn't go unnoticed.



Technical Documents



View this product online at <https://marathonhardware.com/pd/V0496064Z28>

Technical Documents



View this product online at <https://marathonhardware.com/pd/V0496064Z28>

